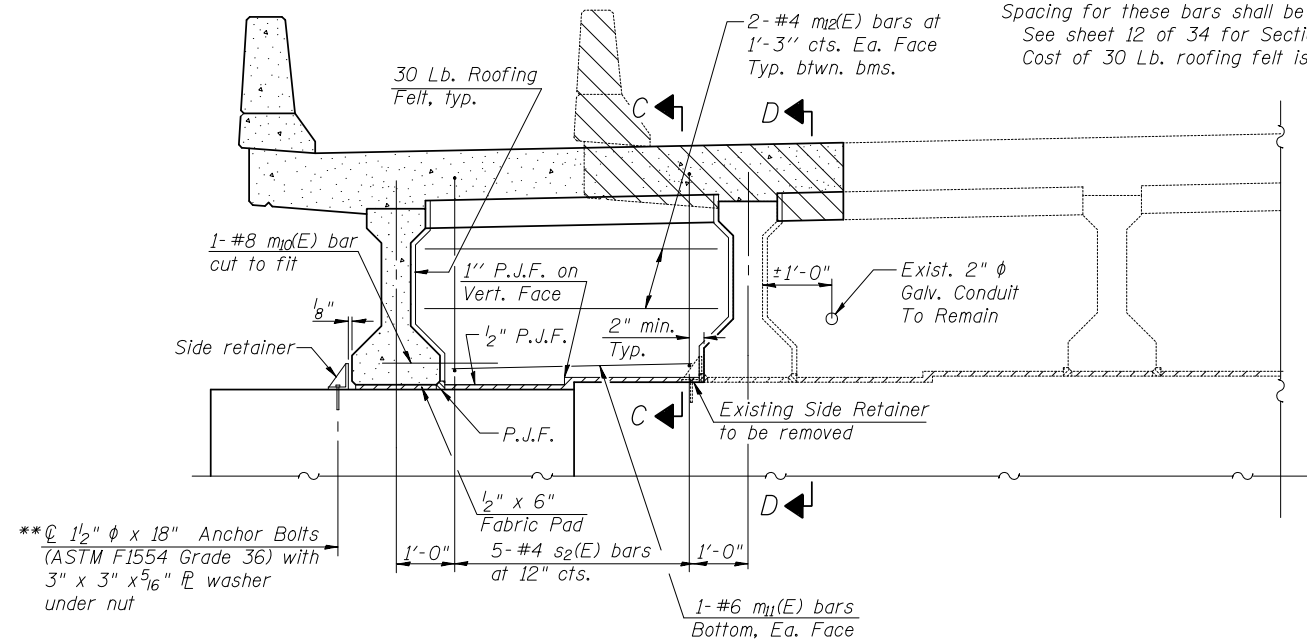
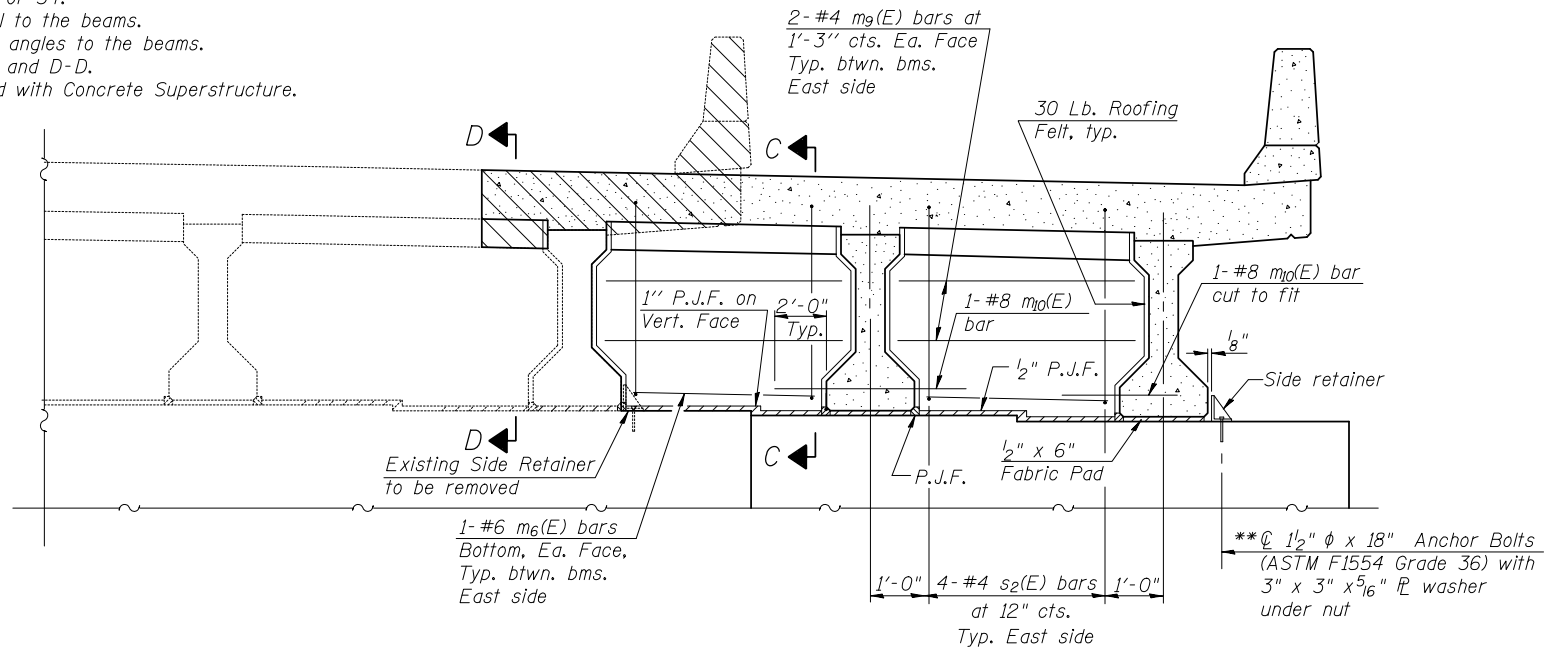


Notes:
 Reinforcement bars in diaphragm are billed with superstructure on sheet 9 of 34.
 Concrete in diaphragm is included with Concrete Superstructure on sheet 9 of 34.
 For details of bar s₂(E) see sheet 12 of 34.
 The s₂(E) bars shall be placed parallel to the beams.
 Spacing for these bars shall be at right angles to the beams.
 See sheet 12 of 34 for Sections C-C and D-D.
 Cost of 30 Lb. roofing felt is included with Concrete Superstructure.

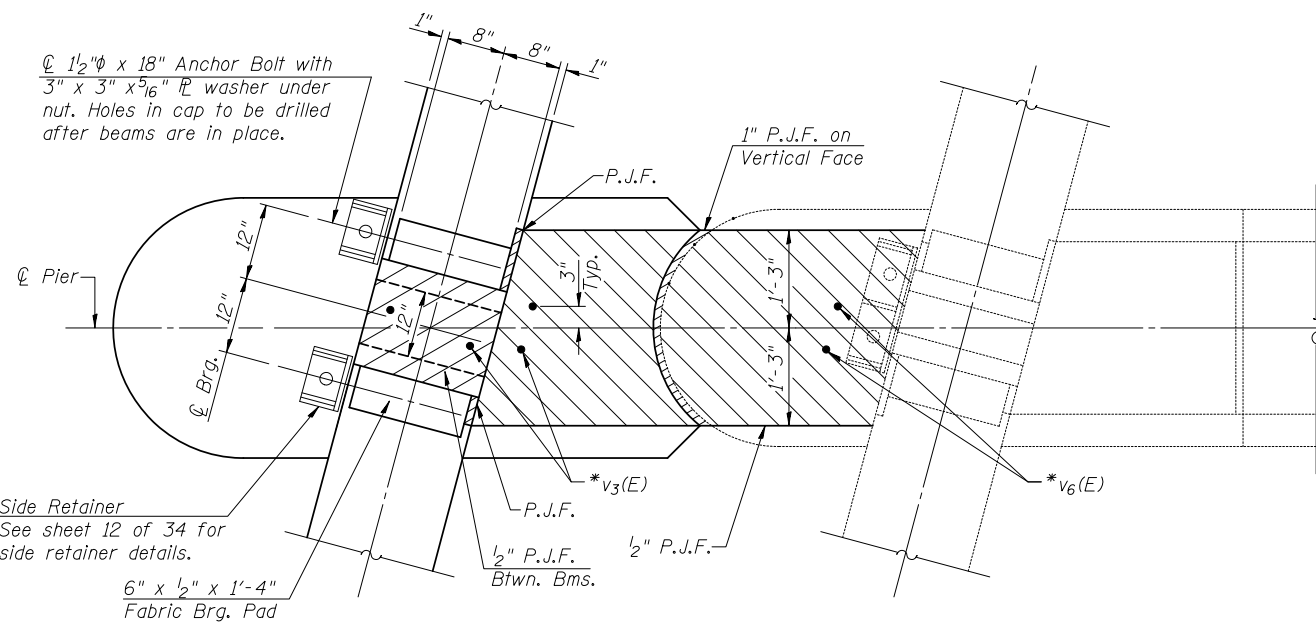


DIAPHRAGM AT PIER

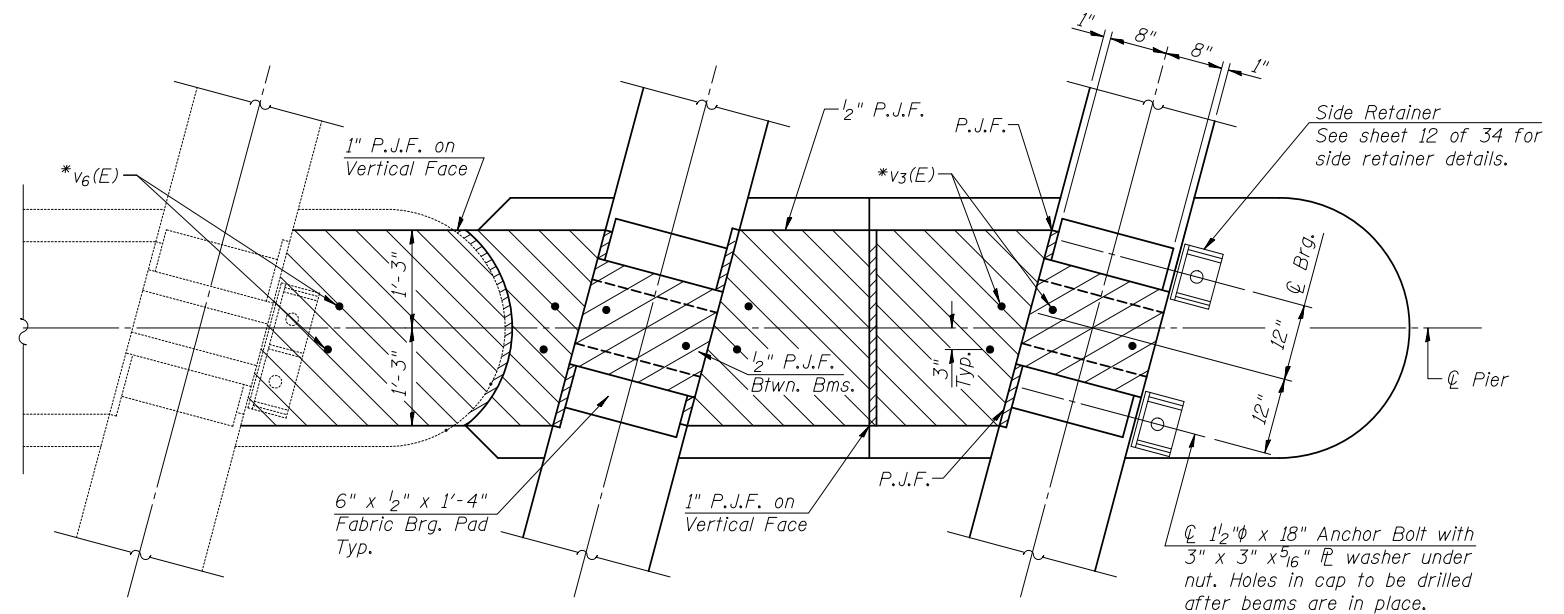


DIAPHRAGM AT PIER

**Holes in pier cap for anchor bolts are to be drilled after beams are in place.

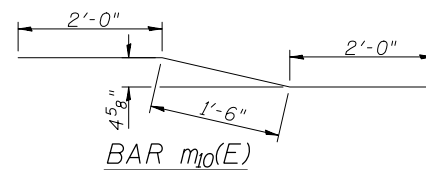


PLAN AT PIER (LEFT)
(Showing bearing pad and P/JF details)



PLAN AT PIER (RIGHT)
(Showing bearing pad and P/JF details)

*v₃(E) and v₆(E) bars are billed with piers as shown on sheets 24 and 25 of 34



FILE NAME	USER NAME =	DESIGNED ADL	REVISED -
		CHECKED RJP	REVISED -
	PLOT SCALE =	DRAWN RJP	REVISED -
	PLOT DATE =	CHECKED ADL	REVISED -

STATE OF ILLINOIS
DEPARTMENT OF TRANSPORTATION

SUPERSTRUCTURE DETAILS
STRUCTURE NO. 011-0037

SHEET NO. 11 OF 34 SHEETS

F.A.P. RTE.	SECTION	COUNTY	TOTAL SHEETS	SHEET NO.
322	11-10	CHRISTIAN	437	211
CONTRACT NO. 72961				

ILLINOIS FED. AID PROJECT
Klingner & Associates P.C.