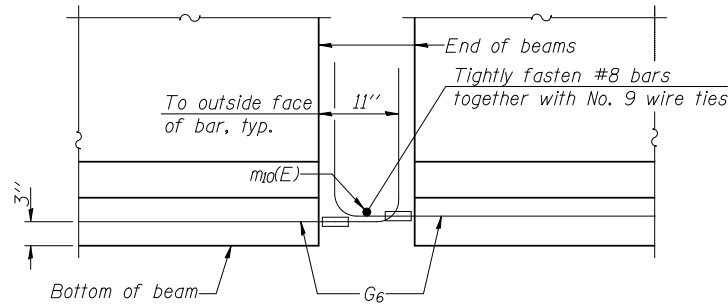
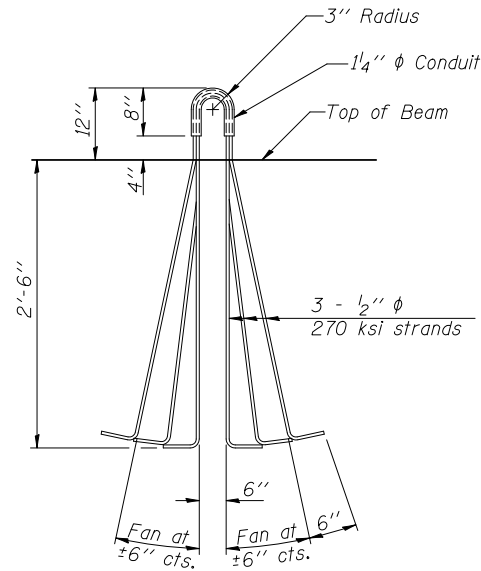


NOTES

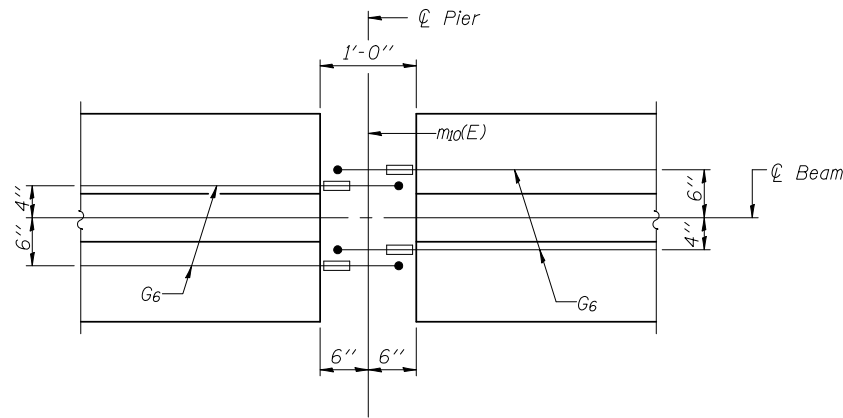
Inserts for $\frac{3}{4}$ " ϕ threaded dowel rods, when specified, are to be two strut, ferrule type for interior beams and single ferrule, flared loop type for exterior beams.
 Prestressing steel shall be uncoated high strength, low relaxation 7-wire strand, Grade 270. The nominal diameter shall be $\frac{1}{2}$ " and the nominal cross-sectional area shall be 0.153 sq. in.
 Reinforcement bars shall conform to ASTM A 706, Grade 60. (See Special Provisions). A minimum $2\frac{1}{2}$ " ϕ lifting pin shall be used to engage the lifting loops during handling. Tilt G_6 bars when necessary to maintain $1\frac{1}{2}$ " clearance.
 The top and bottom plates shall be AASHTO M270 Grade 50. The bottom plates shall be galvanized according to AASHTO M111. Top plates and threaded rods need not be galvanized.
 Threaded rods shall be ASTM F 1554 Grade 55.
 The G_6 bar assembly shall have the threaded ends oversized to ensure no reduction in cross sectional area after threading. The coupler splice shall be capable of developing 125 percent of the yield strength of the reinforcement bar.
 Beams requiring G_6 bar assemblies shall not be released from the fabricator until they have attained 45 days of age or older.



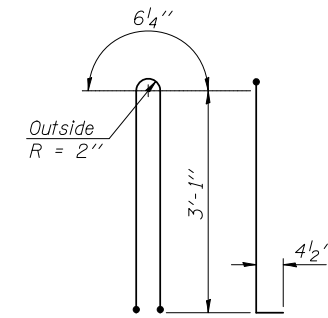
ELEVATION OF BEAM AT PIER



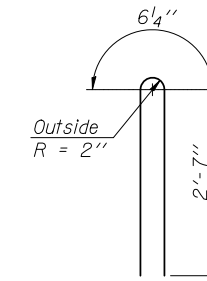
LIFTING LOOP DETAIL



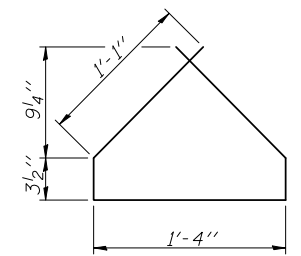
PLAN OF BEAM AT PIER



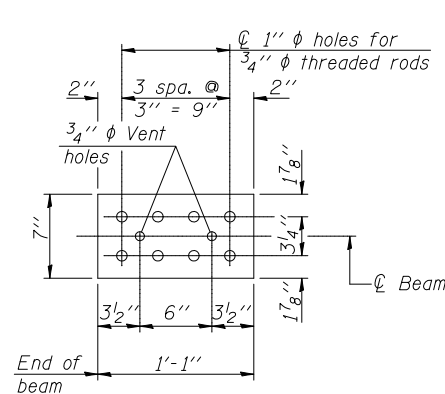
BAR G1



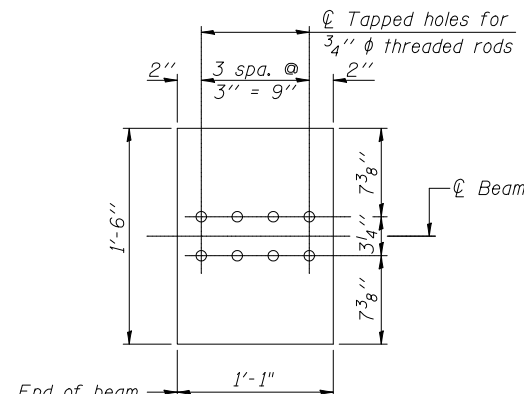
BAR G2



BAR G4

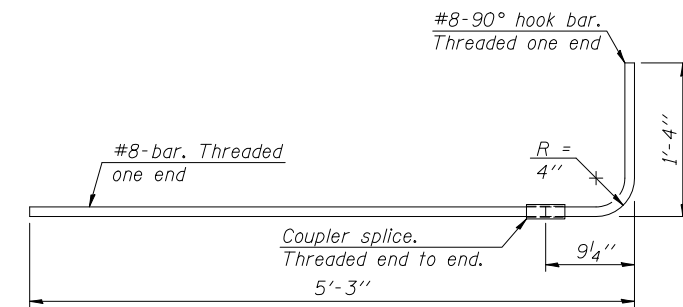


TOP PLATE



BOTTOM PLATE

See bearing details for pintle hole locations when required.



G6 BAR ASSEMBLY

BILL OF MATERIAL

Item	Unit	Total
Furnishing and Erecting Precast Prestressed Concrete I-Beams, 36"	Ft.	209.5

PI-4-36D

7-1-10

FILE NAME	USER NAME =	DESIGNED <i>ADL</i>	REVISED -
	CHECKED <i>RJP</i>	CHECKED <i>RJP</i>	REVISED -
	PLOT SCALE =	DRAWN <i>RJP</i>	REVISED -
	PLOT DATE =	CHECKED <i>ADL</i>	REVISED -

**STATE OF ILLINOIS
DEPARTMENT OF TRANSPORTATION**

**36" PPC I-BEAM DETAILS - SPANS 1 & 3
STRUCTURE NO. 011-0037**

SHEET NO. 18 OF 34 SHEETS

F.A.P. RTE.	SECTION	COUNTY	TOTAL SHEETS	SHEET NO.
322	11-10	CHRISTIAN	437	218
ILLINOIS FED. AID PROJECT			CONTRACT NO. 72961	

Klingner & Associates P.C.