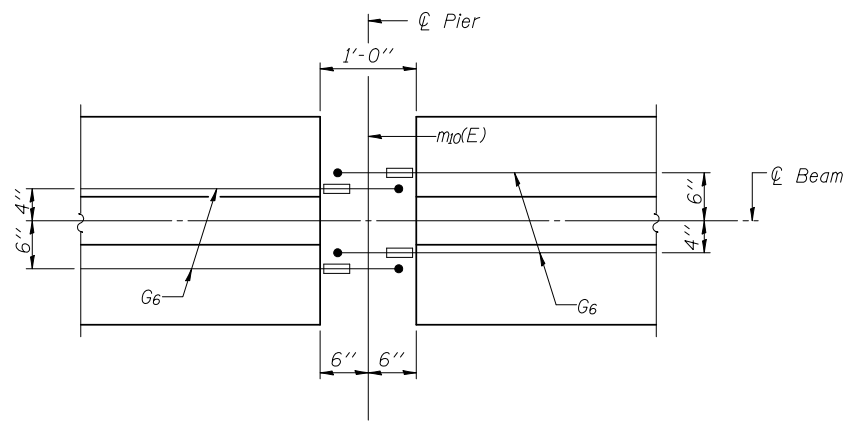
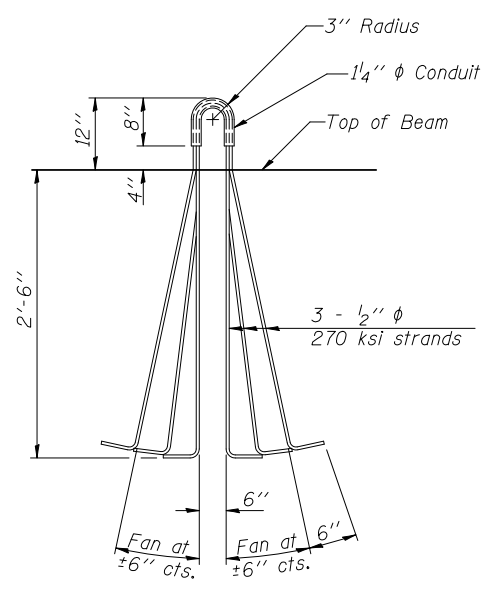


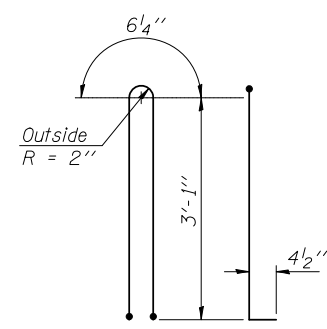
ELEVATION OF BEAM AT PIER



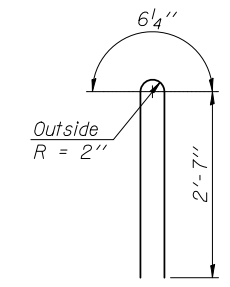
PLAN OF BEAM AT PIER



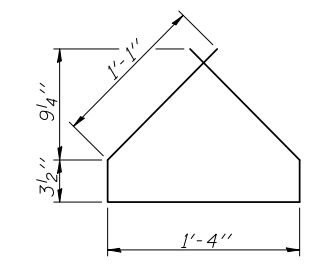
LIFTING LOOP DETAIL



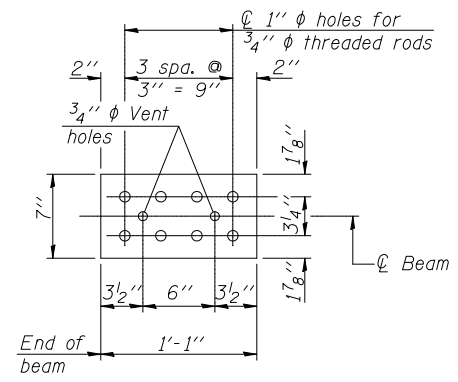
BAR G1



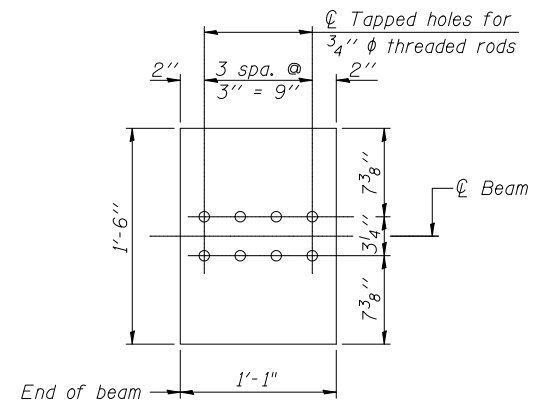
BAR G2



BAR G4

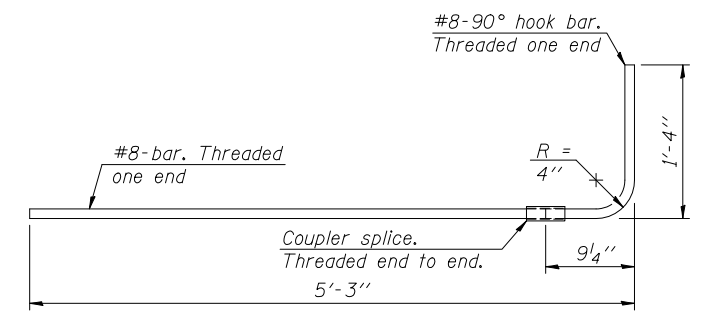


TOP PLATE



BOTTOM PLATE

See bearing details for pintle hole locations when required.



G6 BAR ASSEMBLY

BILL OF MATERIAL

Item	Unit	Total
Furnishing and Erecting Precast Prestressed Concrete I-Beams, 36"	Ft.	148.5

NOTES
 Inserts for 3/4" ϕ threaded dowel rods, when specified, are to be two strut, ferrule type for interior beams and single ferrule, flared loop type for exterior beams. Prestressing steel shall be uncoated high strength, low relaxation 7-wire strand, Grade 270. The nominal diameter shall be 1/2" and the nominal cross-sectional area shall be 0.153 sq. in.
 Reinforcement bars shall conform to ASTM A 706, Grade 60. (See Special Provisions). A minimum 2 1/2" ϕ lifting pin shall be used to engage the lifting loops during handling. Tilt G6 bars when necessary to maintain 1/2" clearance.
 The top and bottom plates shall be AASHTO M270 Grade 50. The bottom plates shall be galvanized according to AASHTO M111. Top plates and threaded rods need not be galvanized.
 Threaded rods shall be ASTM F 1554 Grade 55.
 The G6 bar assembly shall have the threaded ends oversized to ensure no reduction in cross sectional area after threading. The coupler splice shall be capable of developing 125 percent of the yield strength of the reinforcement bar.
 Beams requiring G6 bar assemblies shall not be released from the fabricator until they have attained 45 days of age or older.

PI-4-36D

7-1-10

FILE NAME	USER NAME =	DESIGNED ADL	REVISED -
	CHECKED RJP	CHECKED RJP	REVISED -
	PLOT SCALE =	DRAWN RJP	REVISED -
	PLOT DATE =	CHECKED ADL	REVISED -

STATE OF ILLINOIS
 DEPARTMENT OF TRANSPORTATION

36" PPC I-BEAM DETAILS - SPAN 2
 STRUCTURE NO. 011-0037

SHEET NO. 20 OF 34 SHEETS

F.A.P. RTE.	SECTION	COUNTY	TOTAL SHEETS	SHEET NO.
322	11-10	CHRISTIAN	437	220
CONTRACT NO. 72961				
ILLINOIS FED. AID PROJECT				

Klingner & Associates P.C.