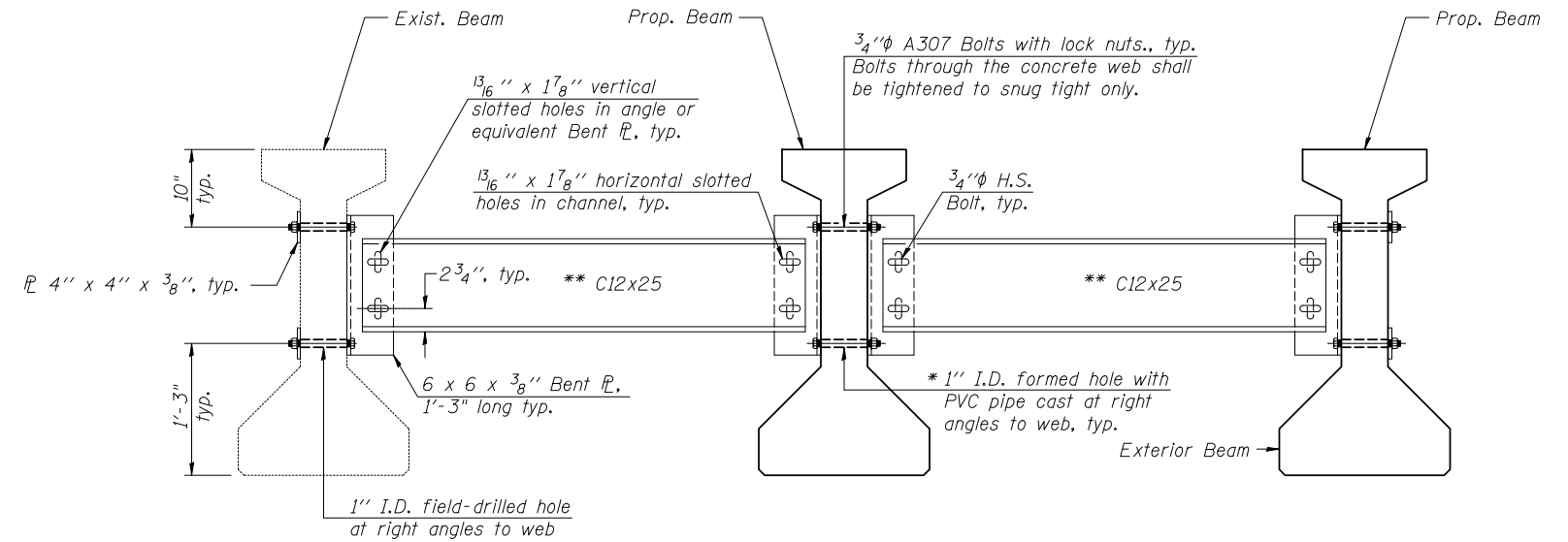


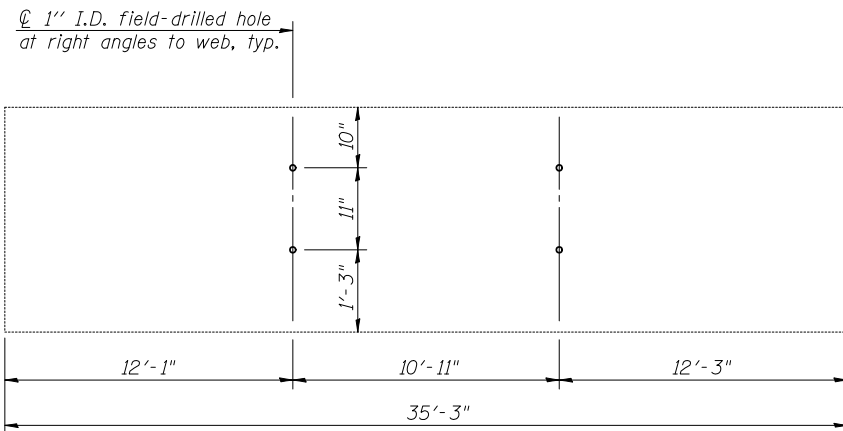
- Notes:**
- All material for bracing shall be hot dip galvanized according to AASHTO M111 unless otherwise noted.
 - Two hardened washers are required for each set of oversized holes.
 - All holes shall be $\frac{5}{16}$ " ϕ unless otherwise noted.
 - $\frac{5}{16}$ " x 3" x 3" plate washers are required over all slotted holes.
 - All bolts shall be galvanized according to AASHTO M232.
 - Bracing shall be installed as beams are erected and tightened as soon as possible during erection.
 - Permanent bracing shall not be paid for separately, but shall be included in the cost of Furnishing and Erecting Precast Prestressed Concrete I-Beams.
- * Fabricator shall locate to miss strands within permissible tolerances.
 - ** Alternate C12x30 channels are permitted to facilitate material acquisition.



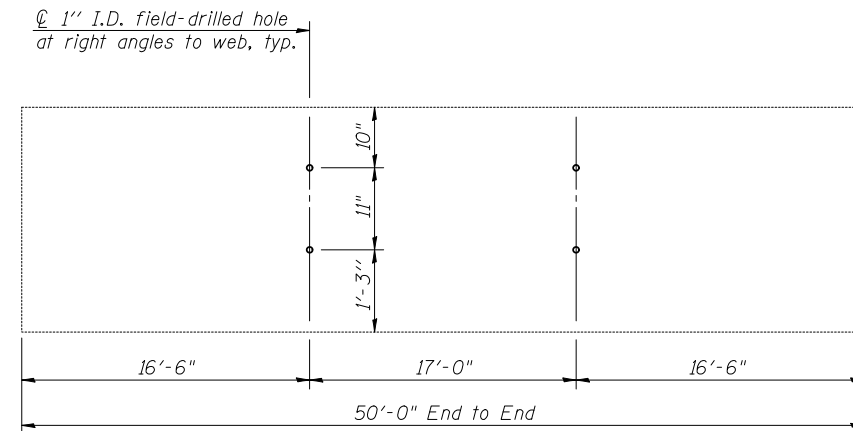
- Notes:**
- All material for bracing shall be hot dip galvanized according to AASHTO M111 unless otherwise noted.
 - Two hardened washers are required for each set of oversized holes.
 - All holes shall be $\frac{5}{16}$ " ϕ unless otherwise noted.
 - $\frac{5}{16}$ " x 3" x 3" plate washers are required over all slotted holes.
 - All bolts shall be galvanized according to AASHTO M232.
 - Bracing shall be installed as beams are erected and tightened as soon as possible during erection.
 - Permanent bracing shall not be paid for separately, but shall be included in the cost of Furnishing and Erecting Precast Prestressed Concrete I-Beams.
- * Fabricator shall locate to miss strands within permissible tolerances.
 - ** Alternate C12x30 channels are permitted to facilitate material acquisition.

PERMANENT BRACING DETAILS FOR 36" PPC I-BEAMS - WEST SIDE

PERMANENT BRACING DETAILS FOR 36" PPC I-BEAMS - EAST SIDE



PERMANENT BRACING HOLE LOCATIONS FOR EXISTING 36" PPC I-BEAMS - SPANS 1 & 3



PERMANENT BRACING HOLE LOCATIONS FOR EXISTING 36" PPC I-BEAMS - SPAN 2

FILE NAME	USER NAME =	DESIGNED <i>ADL</i>	REVISED -
		CHECKED <i>RJP</i>	REVISED -
	PLOT SCALE =	DRAWN <i>RJP</i>	REVISED -
	PLOT DATE =	CHECKED <i>ADL</i>	REVISED -

F.A.P. RTE.	SECTION	COUNTY	TOTAL SHEETS	SHEET NO.
322	11-10	CHRISTIAN	437	221
CONTRACT NO. 72961				