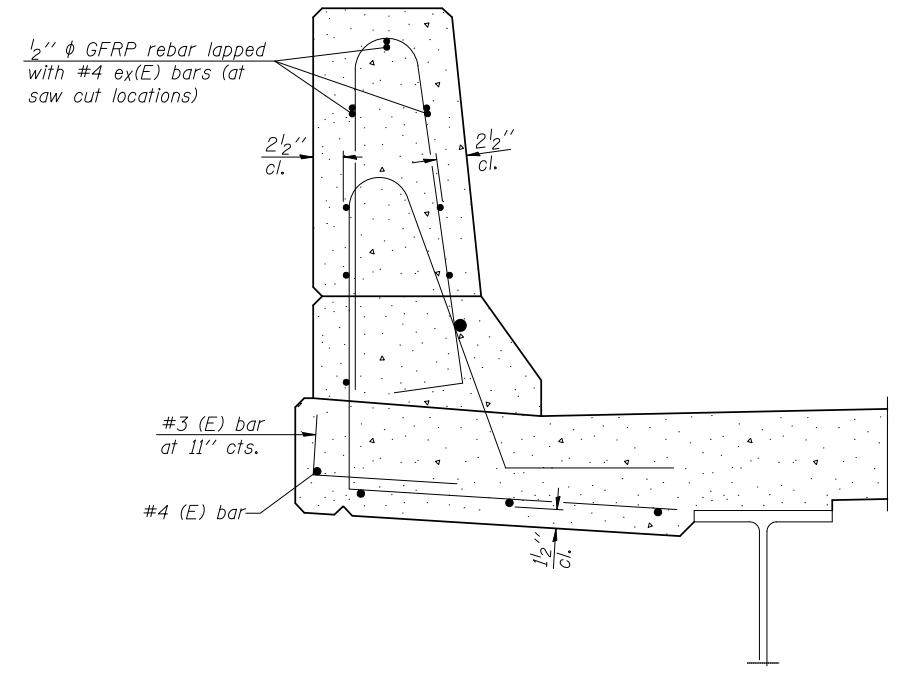


SECTION (Showing dimensions)



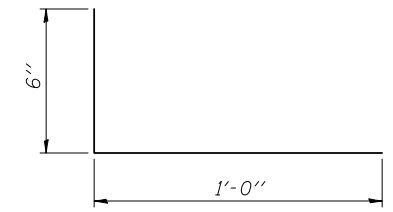
SECTION (Showing reinforcement clearances for slip forming and additional reinforcement bars)

GENERAL NOTES

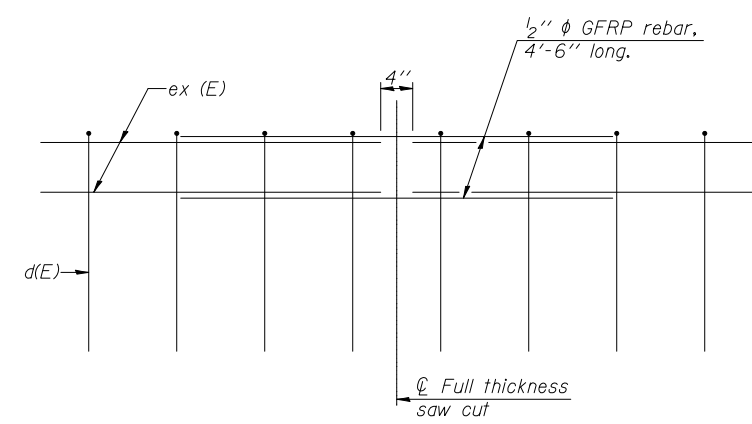
All dimensions shall remain the same as shown on superstructure details, except dimensions A and B which are to be revised as shown to provide additional clearance. Additional concrete needed to revise dimension A and B = 0.0165 cu. yds./ft. of parapet.

Place aluminum sheet in curb portion at and near piers. Full thickness saw cut at all joint locations in lieu of cork joint filler.

Steel superstructure shown. Other superstructure types similar.



#3 (E) BAR



GFRP REBAR STIFFENING DETAIL (Place as shown in parapet section at each parapet joint location.)

SFP-34 7-1-10

FILE NAME =	USER NAME =	DESIGNED ADL	REVISED -
		CHECKED RJP	REVISED -
		DRAWN RJP	REVISED -
		CHECKED ADL	REVISED -

STATE OF ILLINOIS DEPARTMENT OF TRANSPORTATION

CONCRETE PARAPET SLIPFORMING OPTION STRUCTURE NO. 011-037

F.A.P. RTE.	SECTION	COUNTY	TOTAL SHEETS	SHEET NO.
322	11-10	CHRISTIAN	437	228
CONTRACT NO. 72961				

SHEET NO. 28 OF 34 SHEETS