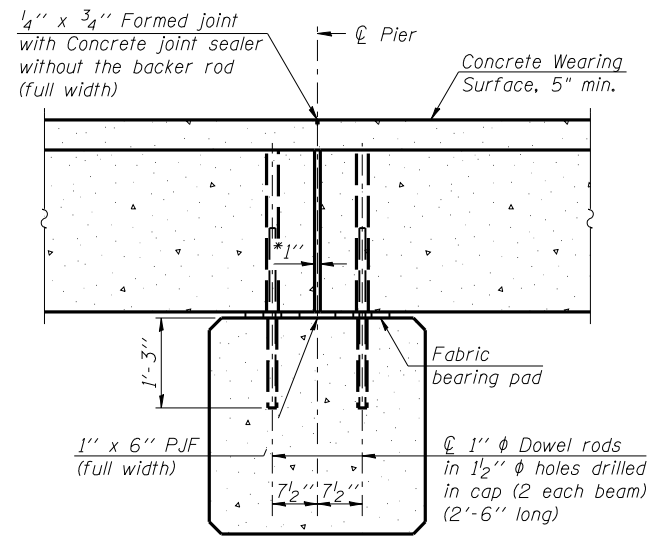


PLAN

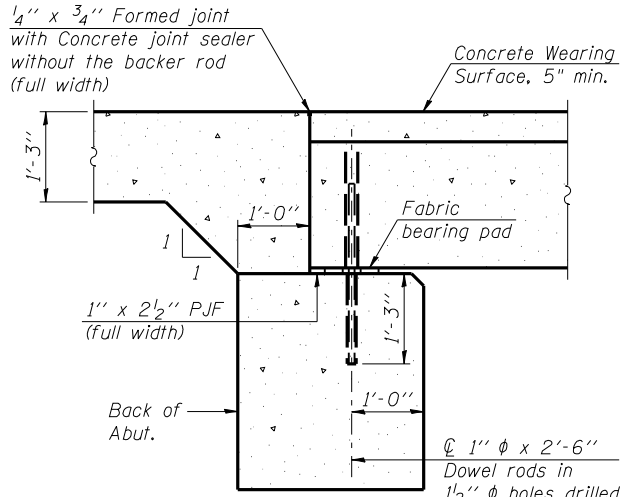


SECTION B-B

(Dimensions are at Rt. L's)

*1\"/>

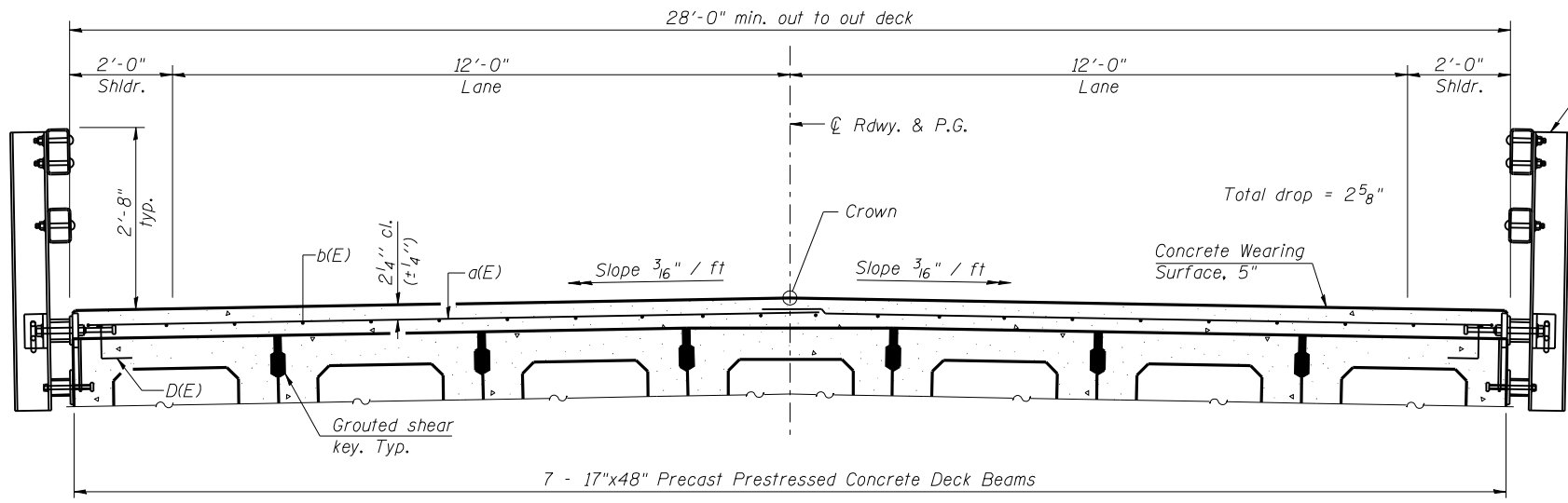
MINIMUM BAR LAP
#4 bar = 2'-7\"/>



SECTION A-A

(Dimensions are at Rt. L's)

Notes:
 See sheet 6 of 16 for Superstructure Details and Bill of Material.
 Bars indicated thus 28 x 4-#4 etc. indicates 28 lines of bars with 4 lengths per line.
 Spacing of a(E) bars shall be measured along the ϕ of structure.
 All concrete wearing surfaces shall be placed prior to casting approach slab.
 See sheet 11 of 16 for fabric bearing pad details.
 See sheet 7 of 16 for details of Steel Railing, Type SM.



CROSS SECTION
(Looking East)

USER NAME =	DESIGNED - MTH	REVISED -
FILE NAME =	CHECKED - TBP	REVISED -
PLOT SCALE =	DRAWN - AJF	REVISED -
PLOT DATE =	CHECKED - MTH	REVISED -

F.A.P. RTE. = 322	SECTION = 11-13	COUNTY = CHRISTIAN	TOTAL SHEETS = 437	SHEET NO. = 239
CONTRACT NO. 72961				