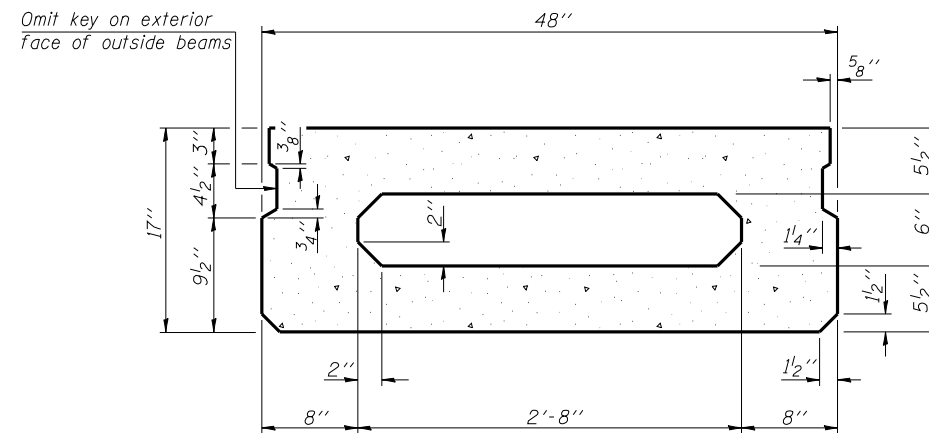
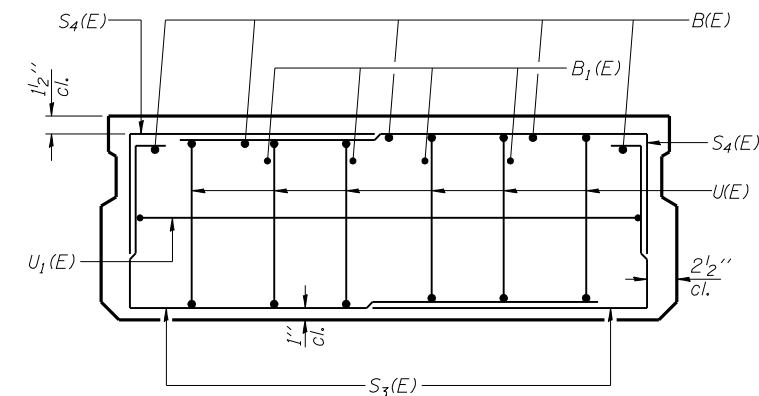


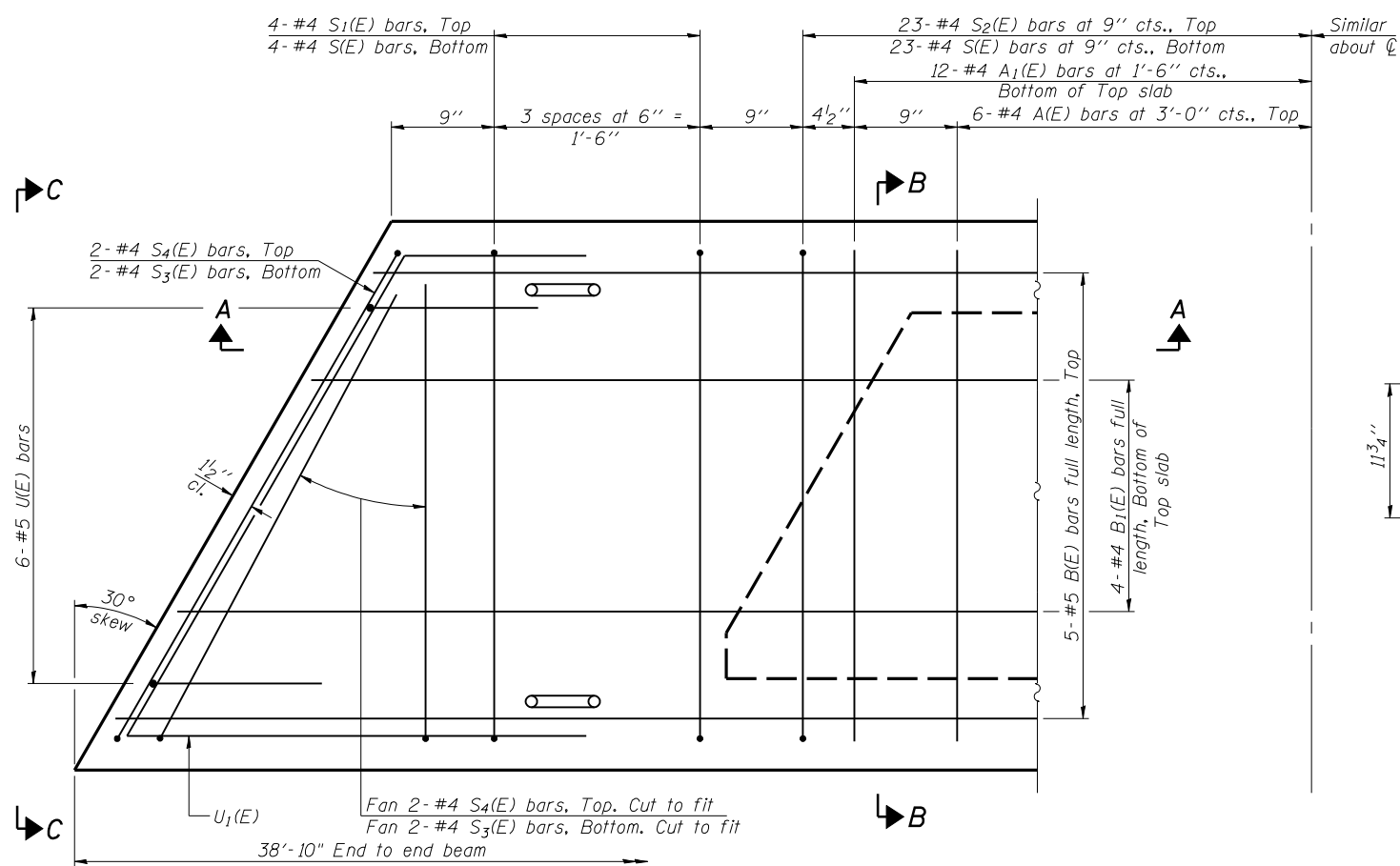
SECTION A-A



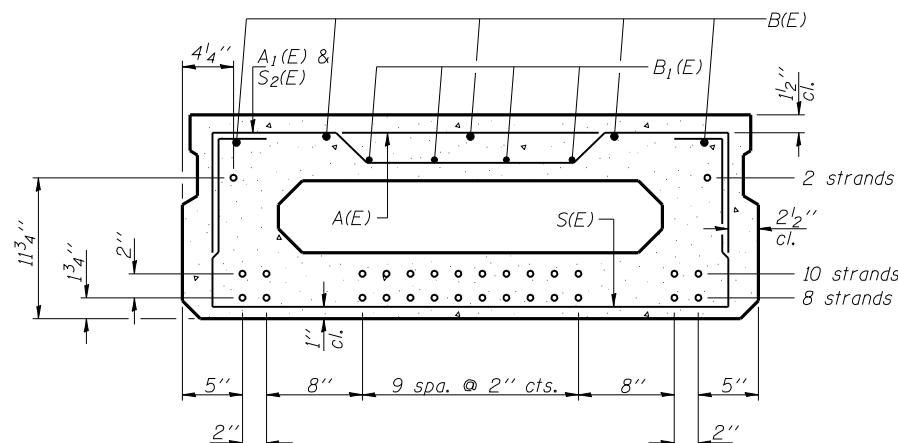
SECTION B-B
(Showing dimensions)



VIEW C-C



PLAN VIEW



SECTION B-B

(Showing reinforcement and permissible strand locations)

Note: Place the number of strands specified in each row symmetrically about the centerline of beam in the permissible strand locations shown.

BAR LIST
ONE BEAM ONLY
(For information only)

Bar	No.	Size	Length	Shape
A(E)	12	#4	3'-7"	—
A1(E)	24	#4	3'-10"	—
B(E)	5	#5	38'-7"	—
B1(E)	4	#4	38'-7"	—
D(E)	42	#4	2'-9"	⌋
S(E)	54	#4	6'-9"	⌋
S1(E)	8	#4	5'-3"	⌋
S2(E)	46	#4	5'-6"	⌋
S3(E)	8	#4	4'-10"	⌋
S4(E)	8	#4	4'-1"	⌋
U(E)	12	#5	3'-8"	⌋
U1(E)	2	#4	8'-7"	⌋

Note: See sheet 11 of 16 for additional details and Bill of Material.

*Required for exterior beams only. See sheet 6 of 16 for details.

MINIMUM BAR LAP

#4 bar = 2'-0"
#5 bar = 2'-6"

Note: Spacing of S(E) and S2(E) bars may be adjusted up to 4" in the immediate area of the transverse tie diaphragms to miss the block outs for the transverse ties.

PD-1748-L

7-1-10

LE LIN ENGINEERING, LTD.
Consulting Engineers
Springfield, Illinois

USER NAME =
FILE NAME =
PLOT SCALE =
PLOT DATE =

DESIGNED - MTH
CHECKED - TBP
DRAWN - AJF
CHECKED - MTH

REVISED -
REVISED -
REVISED -
REVISED -

STATE OF ILLINOIS
DEPARTMENT OF TRANSPORTATION

17" x 48" PPC DECK BEAM
STRUCTURE NO. 011-3362

SHEET NO. 10 OF 16 SHEETS

F.A.P. RTE.	SECTION	COUNTY	TOTAL SHEETS	SHEET NO.
322	11-13	CHRISTIAN	437	244
			CONTRACT NO. 72961	

ILLINOIS FED. AID PROJECT