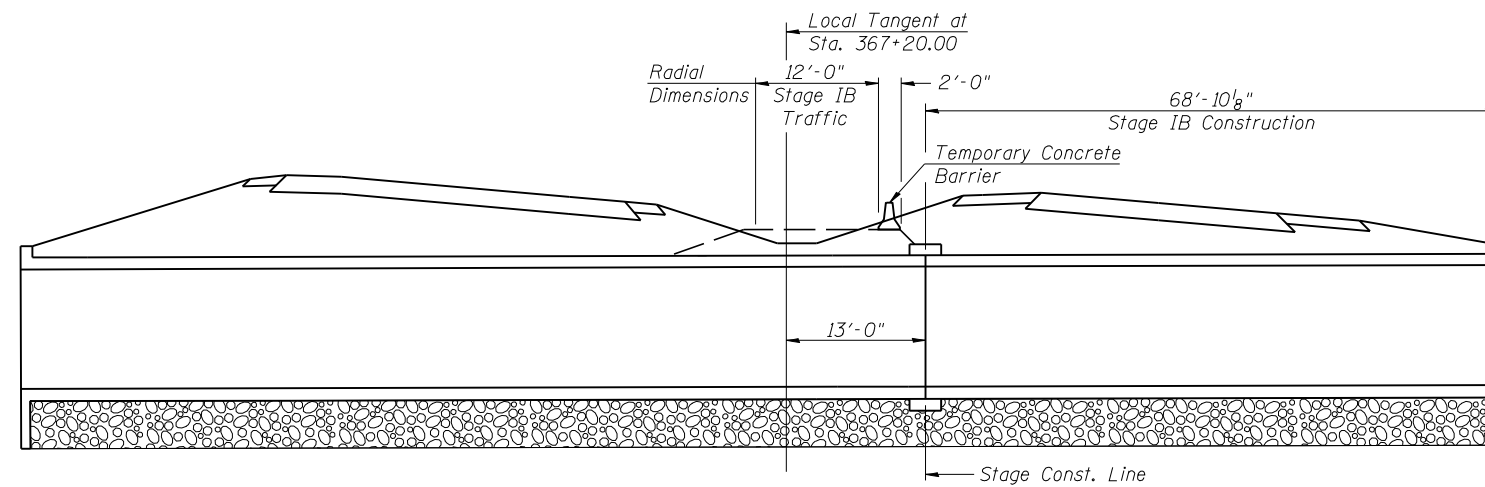
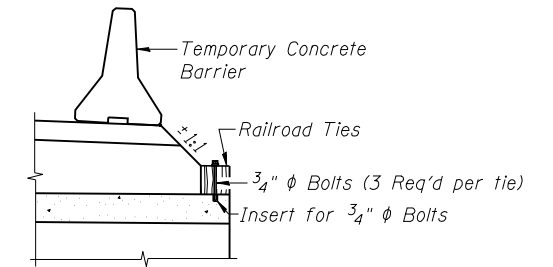


STAGE IA CONSTRUCTION



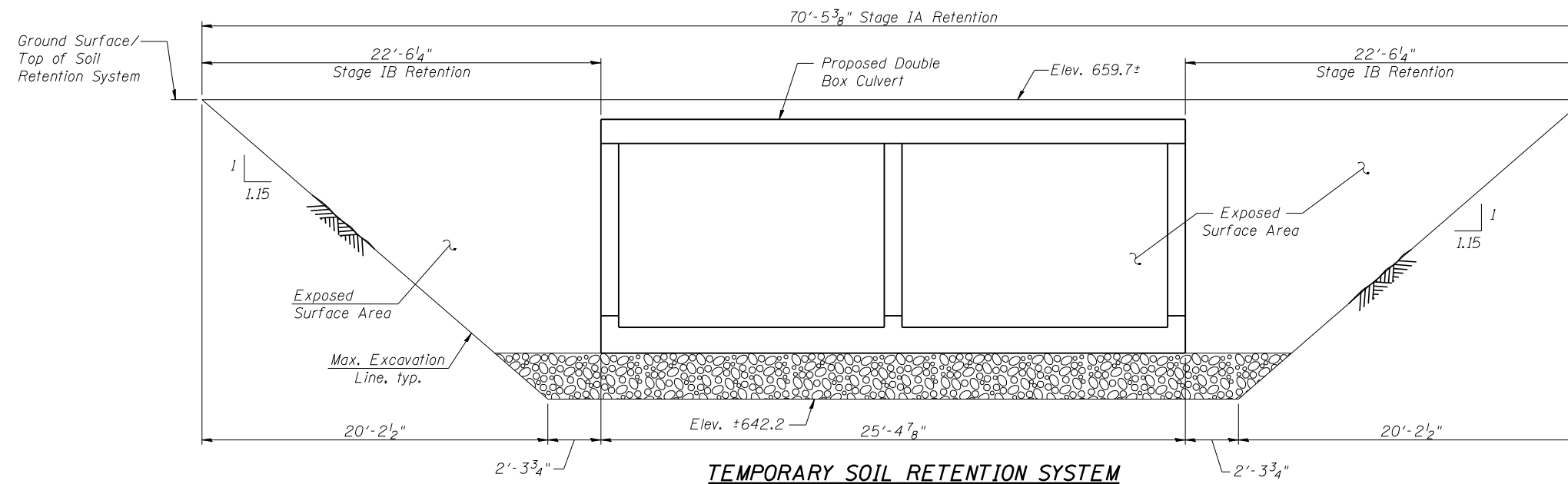
STAGE IB CONSTRUCTION



DETAIL A

Notes:

1. All staging cross sections are looking north.
2. All dimensions are perpendicular to Local Tangent unless noted otherwise.
3. For details of Temporary Concrete Barrier, see Sheet 4 of 7.
4. For quantity of Temporary Concrete Barrier, see Roadway Plans.
5. The Contractor shall brace the Rock Fill-Foundation if required during excavation for Stage IB Construction. Cost included with Rock Fill-Foundation.
6. A cantilevered sheet piling design does not appear feasible and additional members or other retention systems may be necessary. The Contractor shall submit a temporary soil retention system design including plan details and calculations for review and acceptance by the Engineer.



TEMPORARY SOIL RETENTION SYSTEM

(Looking West - Dimensions along Stage Construction Line)

USER NAME =	DESIGNED - MTH	REVISED -
FILE NAME =	CHECKED - TBP	REVISED -
PLOT SCALE =	DRAWN - AJF	REVISED -
PLOT DATE =	CHECKED - MTH	REVISED -

F.A.P. RTE.	SECTION	COUNTY	TOTAL SHEETS	SHEET NO.
322	11-13	CHRISTIAN	437	253
CONTRACT NO. 72961				