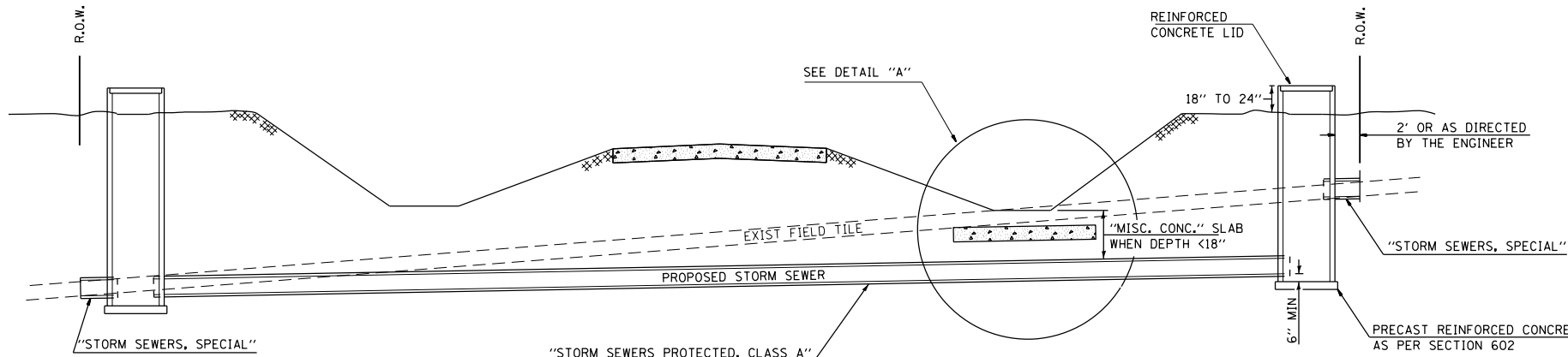
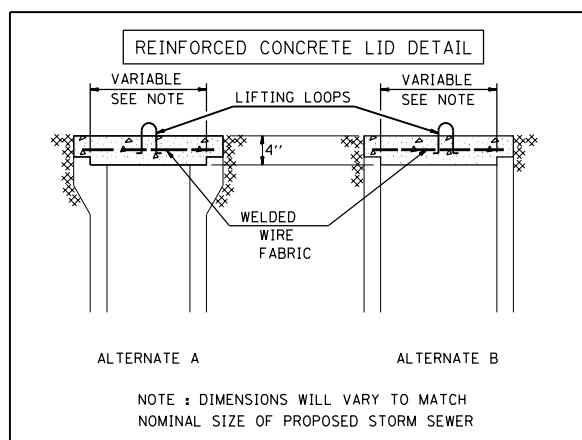
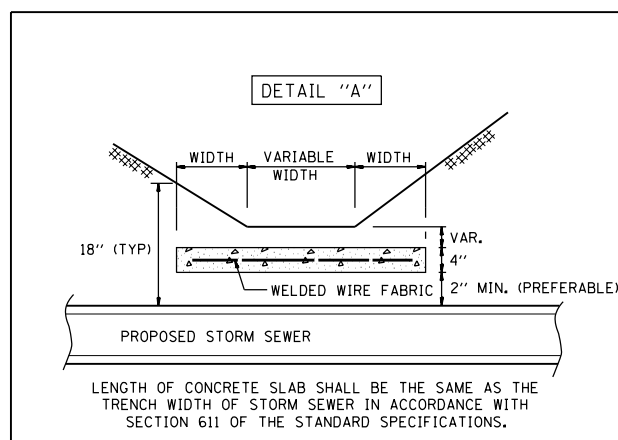
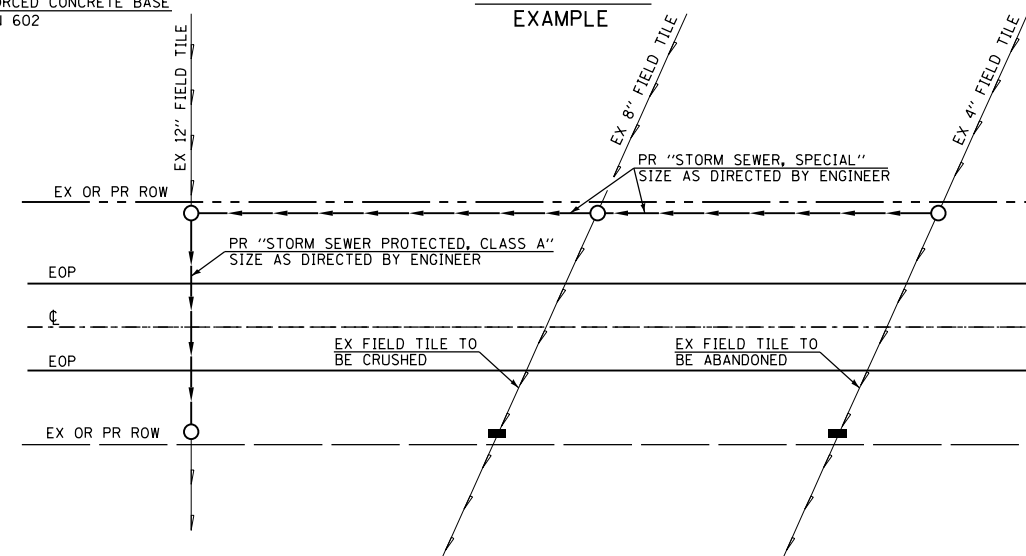


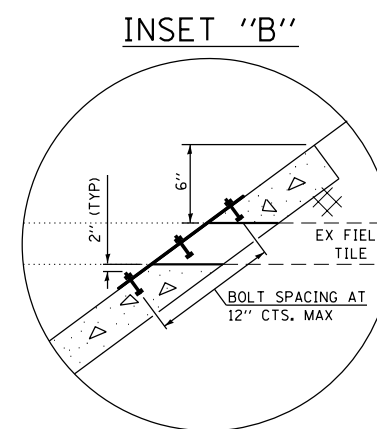
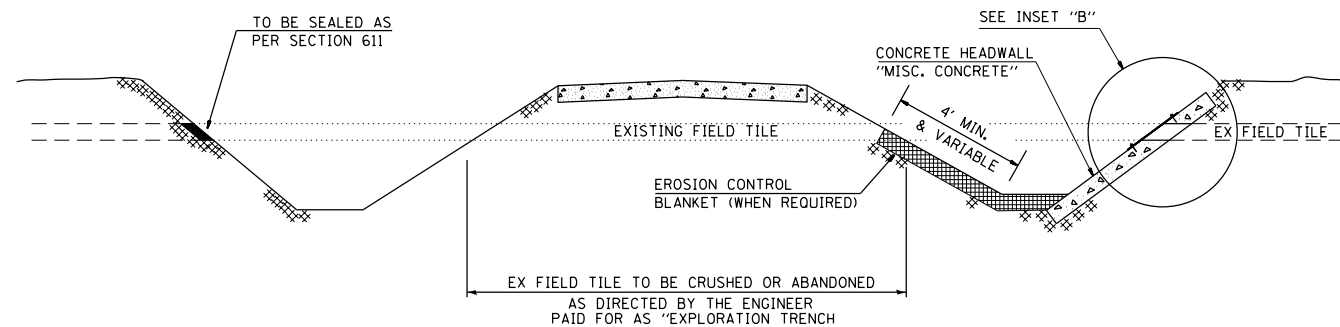
F.A.P. RTE.	SECTION	COUNTY	TOTAL SHEETS	SHEET NO.
322	11-13	CHRISTIAN	437	293
STA.		TO STA.		
FED. ROAD DIST. NO.	ILLINOIS	FED. AID PROJECT		



PLAN VIEW
EXAMPLE

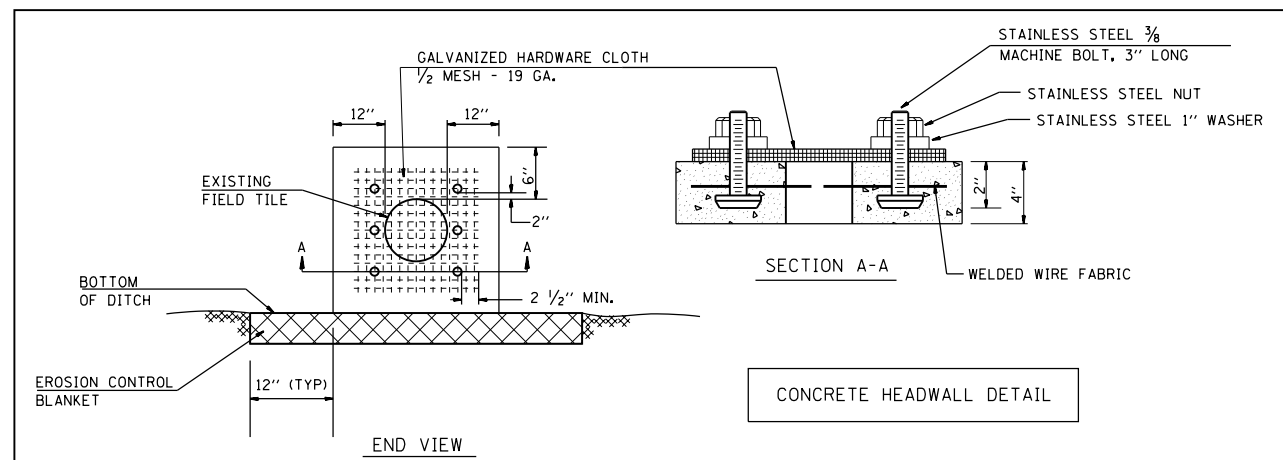


NOTE
WELDED WIRE FABRIC
(58 LBS/100 SQ. FT.)



GENERAL NOTES

1. FIELD TILE SHALL BE REPLACED IN ACCORDANCE WITH SECTION 611 OF THE STANDARD SPECIFICATIONS. THE COST PER CONTRACT UNIT PRICE OF ITEMS INCLUDED IN THIS CONTRACT SHALL BE PAID FOR AS STATED IN SECTION 611 OF THE STANDARD SPECIFICATIONS. IF THE CONTRACT UNIT PRICE IS NOT INCLUDED IN THIS CONTRACT, PAYMENT FOR THIS WORK WILL BE IN ACCORDANCE WITH ARTICLE 109.04 OF THE STANDARD SPECIFICATIONS.
2. THE DIAMETER OF THE PROPOSED STORM SEWER SHALL BE EQUAL TO OR GREATER THAN THE EXISTING FIELD TILE.
3. THE REINFORCED CONCRETE LID SHALL BE CLASS S1 CONCRETE (MISCELLANEOUS) OR PRECAST REINFORCED CONCRETE.
4. FIELD TILES LESS THAN 7" DIAMETER INTERCEPTED BY THE BACKSLOPE SHALL BE CRUSHED AND REMAIN IN PLACE UNDER THE ROADBED. INTERCEPTED FIELD TILES 7" OR LARGER IN DIAMETER SHALL BE REMOVED AND BACKFILLED IN ACCORDANCE WITH ARTICLE 611.03.
5. FOR DIAMETERS LESS THAN 12" OF "STORM SEWERS PROTECTED, CLASS A", MATERIALS OTHER THAN CONCRETE MAY BE USED WITH APPROVAL BY THE ENGINEER.
6. WHEN USING FLEXIBLE PIPE AS LISTED IN THE FIRST TABLE OF ARTICLE 550.03, THE TRENCH SHALL BE BACKFILLED ACCORDING TO ARTICLE 550.07. ALL "BELLED" PIPE WILL REQUIRE AT LEAST 4" OF AGGREGATE BELOW THE PIPE COVERING THE FULL WIDTH OF THE TRENCH.



ALL DIMENSIONS ARE IN INCHES
UNLESS OTHERWISE SHOWN.

REVISIONS	
NAME	DATE

ILLINOIS DEPARTMENT OF TRANSPORTATION
MISCELLANEOUS DETAILS -
FIELD TILE & PIPE TEE PLUG
FAP 322 (US 51)
SECTION 11-13
CHRISTIAN COUNTY

SCALE: None DRAWN BY DIST. 6
DATE CHECKED BY

10/5/2012

G:\01Files\010329\1 SOUTH PLANS NEW\CA00 - Sheets\06\2961-ant-detail110.dgn