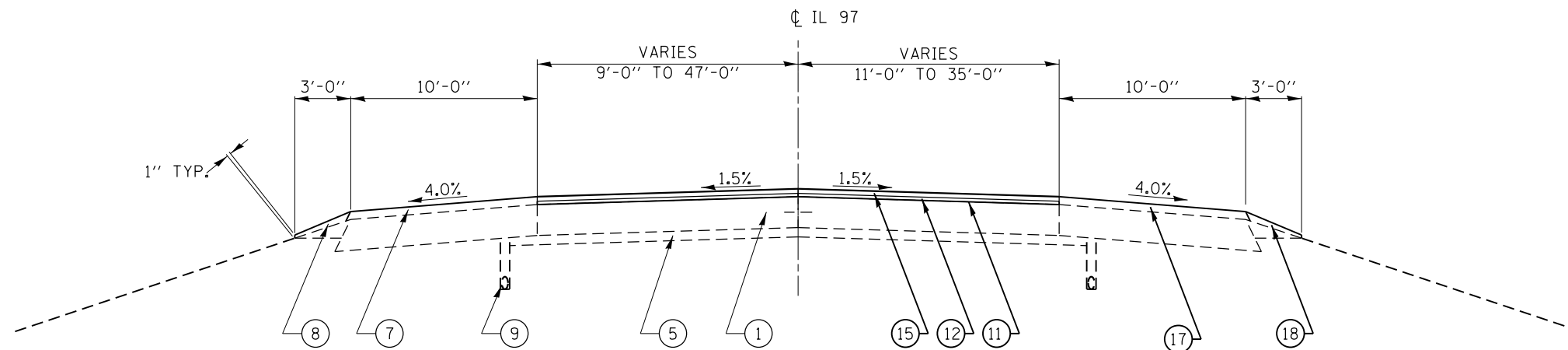


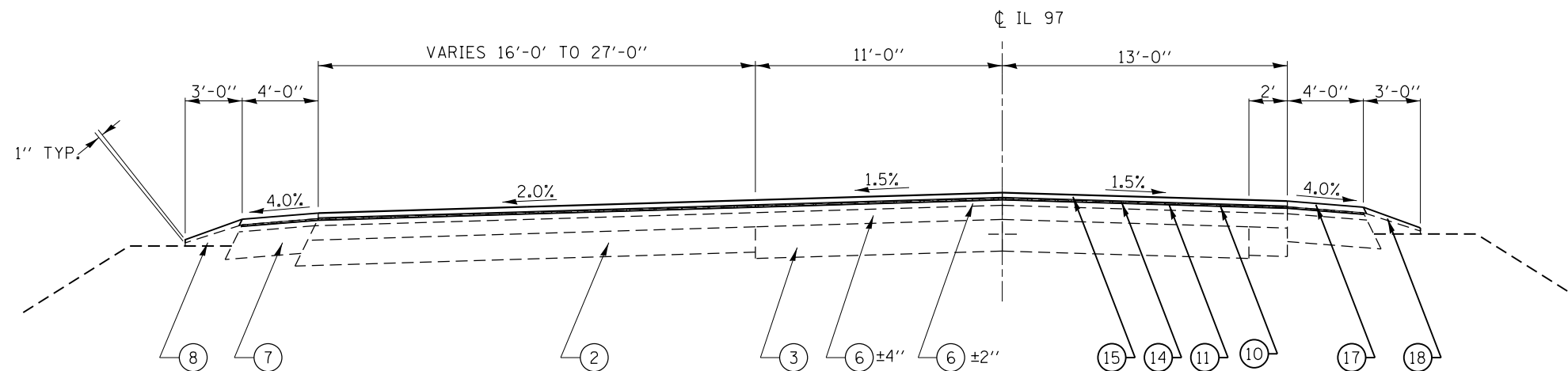
LEGEND

- ① EXIST. CONTINUOUSLY REINFORCED PCC PAVEMENT 8"
- ② EXIST. PAVEMENT WIDENING 8"
- ③ EXIST. PCC PAVEMENT 10"
- ④ EXIST. HMA PAVEMENT 11"
- ⑤ EXIST. STABILIZED SUB-BASE 4"
- ⑥ EXIST. HMA OVERLAY, 2'-6"
- ⑦ EXIST. HMA SHOULDERS 8"
- ⑧ EXIST. AGGREGATE SHOULDER, TYPE B
- ⑨ EXIST. SUB-SURFACE DRAIN 4"
- ⑩ PROP. SURFACE REMOVAL VARIABLE DEPTH
- ⑪ PROP. BITUMINOUS MATERIAL (PRIME COAT)
- ⑫ PROP. LEVELING BINDER (MM) N90 (1")
- ⑬ PROP. LEVELING BINDER (MM) N50 (1")
- ⑭ PROP. LEVELING BINDER (MM) N90 (3/4")
- ⑮ PROP. HMA SURFACE COURSE, MIX "E" N90 (1 1/2")
- ⑯ PROP. HMA SURFACE COURSE, MIX "C" N50 (1 1/2")
- ⑰ PROP. HMA SHOULDERS
- ⑱ PROP. AGGREGATE SHOULDER, TYPE B
- ⑲ PROP. COMB. CONC. CURB & GUTTER
- ⑳ PROP. CONCRETE MEDIAN SURFACE 4"
- ㉑ PROP. HMA BASE COURSE 12"
- ㉒ PROP. AGGREGATE SUB-BASE GRANULAR MATERIAL 6"
- ㉓ PROP. UNDERDRAIN 4"
- ㉔ PROP. SUB-BASE GRANULAR MATERIAL, TYPE B



TYPICAL SECTION # 12

STA. 102+97.77 TO STA. 104+99.63
 STA. EQ. 104+99.63 BK= STA. 107+95.18 AH
 STA. 107+95.18 TO STA. 110+31.82



TYPICAL SECTION # 11

STA. 97+61.02 TO STA. 102+97.77

FILE NAME =	USER NAME = sparksgw	DESIGNED -	REVISED -	STATE OF ILLINOIS DEPARTMENT OF TRANSPORTATION	TYPICAL SECTIONS F.A.P. 662/67 (IL 497)			F.A.P. RTE.	SECTION	COUNTY	TOTAL SHEETS	SHEET NO.	
et:\pw\work\p\dot\sparksgw\10290859\06723-sht-typical.dgn		DRAWN -	REVISED -										
		CHECKED -	REVISED -										
		DATE -	REVISED -										
	PLOT SCALE = 40.0000' / in.				SCALE:	SHEET	OF	SHEETS	STA.	TO	STA.		
	PLOT DATE = Oct-19-2012 03:55:27PM											CONTRACT NO. 72F23	
ILLINOIS FED. AID PROJECT													