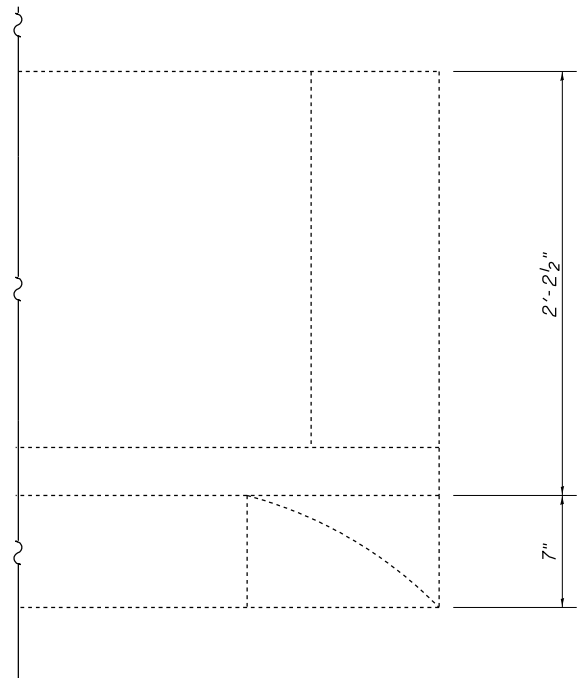
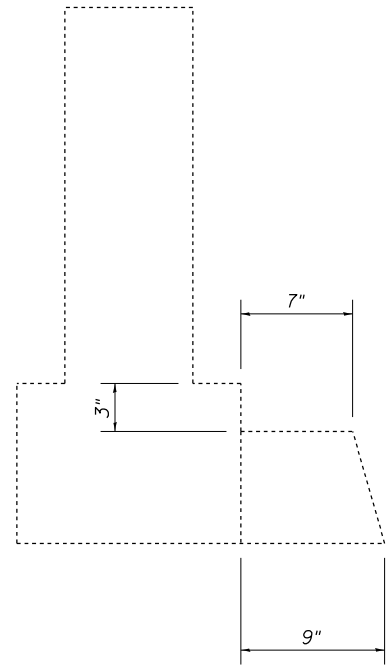


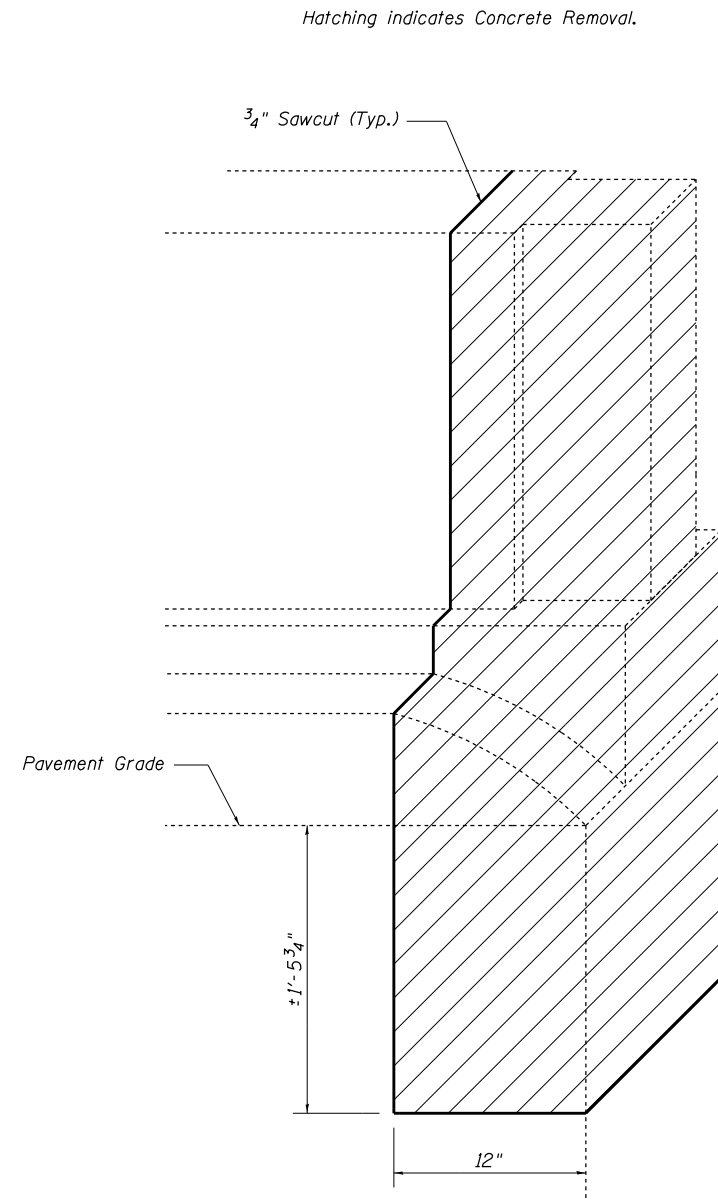
PLAN



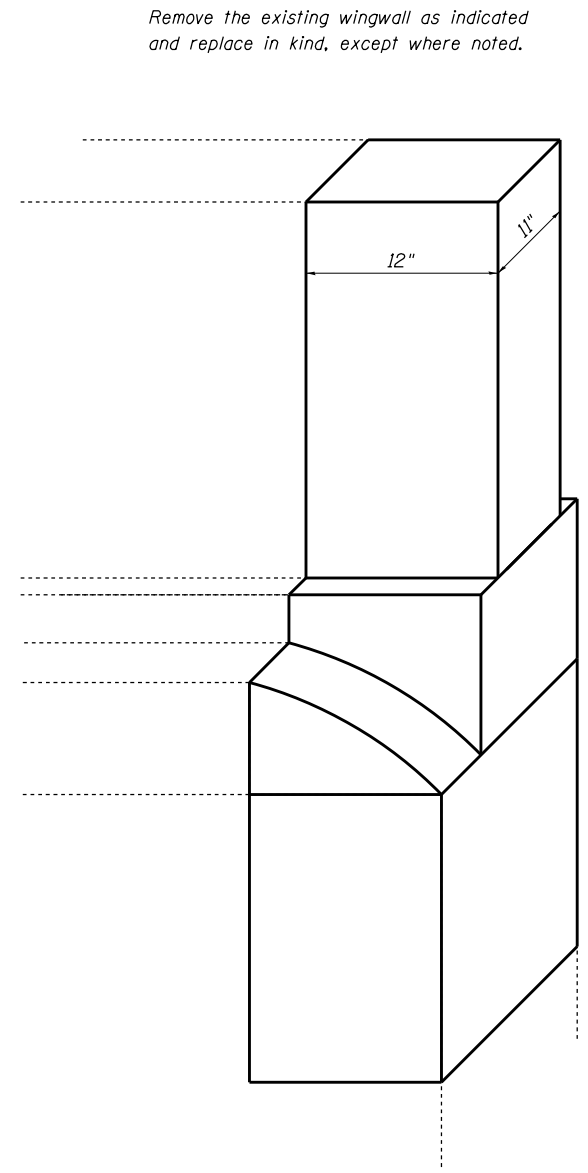
ELEVATION



SECTION C-C



EXISTING PARTIAL PLAN



PROPOSED PARTIAL PLAN

FILE NAME =	USER NAME = steffenk	DESIGNED - KLB	REVISED -
ci:\pw\work\p\idot\stefenk\d0307594\0744589-sht-br\details-025-001617.dgn		DRAWN - KLB	REVISED -
Default	PLOT SCALE = 40.0000' / in.	CHECKED - MEA	REVISED -
	PLOT DATE = 10/23/2012	DATE - 07/12/12	REVISED -

**STATE OF ILLINOIS
DEPARTMENT OF TRANSPORTATION**

**WINGWALL DETAILS
SN. 025-0016 (EB) & 025-0017 (WB)**

SCALE: N/A SHEET 6 OF 13 SHEETS STA. TO STA.

• 07 BRIDGE REPAIRS 2013-1

F.A.I. RTE.	SECTION	COUNTY	TOTAL SHEETS	SHEET NO.
70	•	EFFINGHAM	33	26
CONTRACT NO. 74589			ILLINOIS FED. AID PROJECT	