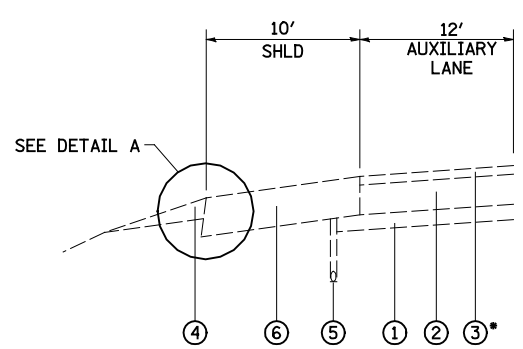


SOUTH BOUND
 STA 1246+52 TO STA 1272+75 (2 OUTER LANES)
 STA 1275+25 TO STA 1278+50 (2 INNER LANES)
 STA 1280+00 TO STA 1282+25 (MIDDLE LANE)
 STA 1298+70 TO STA 1301+22 (2 OUTER LANES)

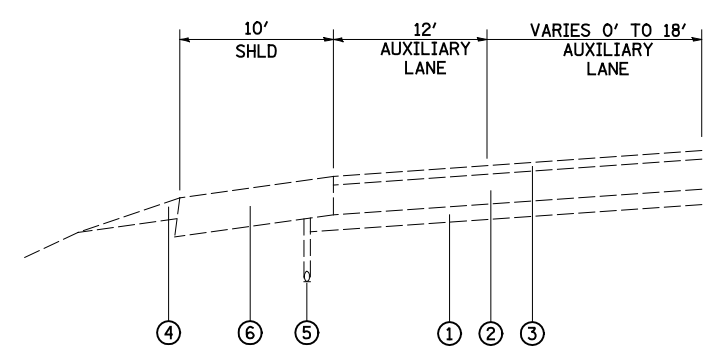
EXISTING TYPICAL TANGENT SECTION
 PREVIOUSLY RESURFACED 2 LANE SECTION

NORTH BOUND
 STA 1246+31 TO STA 1285+80 (2 OUTER LANES)
 STA 1285+80 TO STA 1287+55 (MIDDLE LANE)
 STA 1295+91 TO STA 1301+48 (2 OUTER LANES)

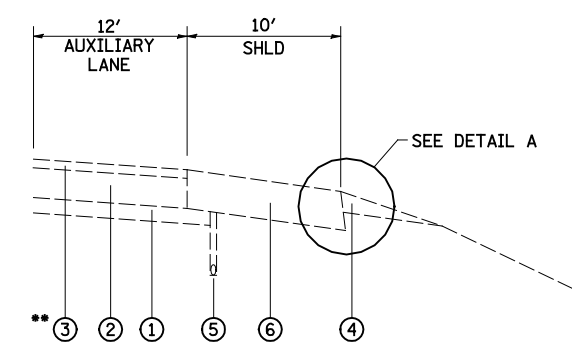


SOUTH BOUND CONCRETE AUXILIARY LANES
 STA 1246+52 TO STA 1257+25

* EXISTING RESURFACING BEGINS STA 1255+98

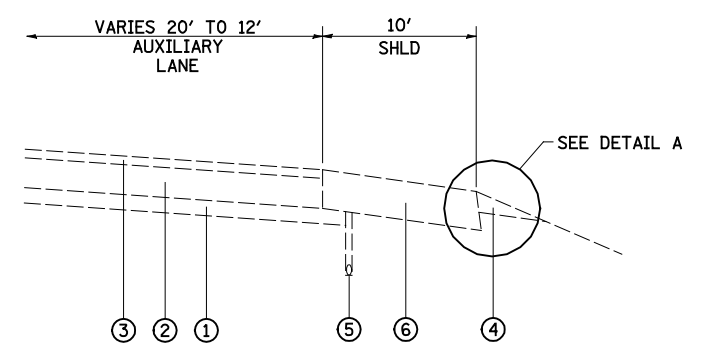


SOUTH BOUND AUXILIARY LANES
 STA 1257+25 TO STA 1273+25



NORTH BOUND CONCRETE AUXILIARY LANES
 STA 1261+30 TO STA 1280+88

** EXISTING RESURFACING STA 1261+30 TO STA 1262+30
 STA 1276+92 TO STA 1280+88



NORTH BOUND AUXILIARY LANES
 STA 1257+30 TO STA 1261+30

LEGEND

- ① EXISTING STABILIZED SUB-BASE 4"
- ② EXISTING CRPCC PAVEMENT 10"
- ③ EXISTING ASPHALT RESURFACING 2 1/4"
- ④ EXISTING AGGREGATE SHOULDERS TYPE B
- ⑤ EXISTING PIPE UNDERDRAINS 4"
- ⑥ EXISTING HOT-MIX ASPHALT SHOULDER 10"
- ⑦ EXISTING TEMPORARY CONCRETE BARRIER
- ⑧ EXISTING BITUMINOUS CURB
- ⑨ EXISTING ASPHALT RESURFACING, 3 3/4"
- ⑩ EXISTING PCC PAVEMENT 10" (REINFORCED)
- ⑪ EXISTING PCC PAVEMENT 8" (REINFORCED)
- ⑫ EXISTING HOT-MIX ASPHALT SHOULDER 8"
- ⑬ EXISTING APPROACH SLAB
- ⑭ EXISTING A-3 SURFACE TREATMENT
- ⑮ EXISTING AGGREGATE BASE COURSE, TYPE A 15"

▨ HOT-MIX ASPHALT SURFACE REMOVAL, 1"

NOTE: FOR LIMITS OF REMOVAL ITEMS
 SEE REMOVAL SHEETS

▨ REMOVAL ITEMS

FOR DETAIL A SEE SHEET 1 OF 8

FILE NAME =	USER NAME = Paul	DESIGNED - ESW	REVISED -	STATE OF ILLINOIS DEPARTMENT OF TRANSPORTATION	EXISTING TYPICAL SECTIONS FAI ROUTE 255			F.A.I. RTE. 255	SECTION 60-(7,8)RS-2	COUNTY MADISON	TOTAL SHEETS 261	SHEET NO. 16
#FILEL#		DRAWN - PDB	REVISED -		SCALE:	SHEET NO. 2 OF 8 SHEETS	STA.	TO STA.	CONTRACT NO. 76A89			
		CHECKED - BRM	REVISED -		ILLINOIS FED. AID PROJECT							
		DATE - 8-29-11	REVISED -									