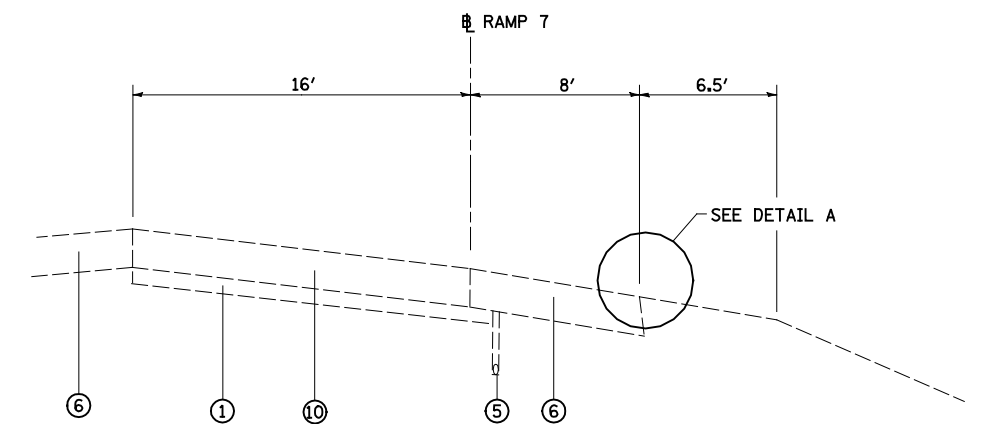


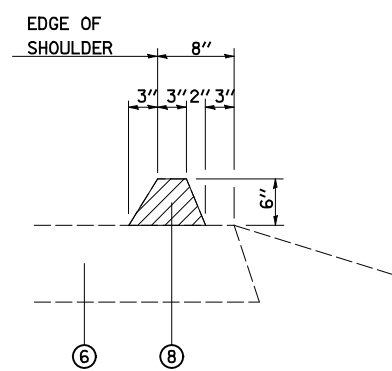
RAMP 7 (COLLINSVILLE RD.)

STA 100+34 TO STA 108+34
 * SHOULDER WIDTH VARIES TO STA 101+90
 ** CONCRETE BARRIER FROM STA 101+78 TO STA 110+00



RAMP 7 (COLLINSVILLE RD.)

STA 108+34 TO STA 112+01.87



DETAIL A

STA 110+00 TO STA 112+01.87

LEGEND

- ① EXISTING STABILIZED SUB-BASE 4"
 - ② EXISTING CRPCC PAVEMENT 10"
 - ③ EXISTING ASPHALT RESURFACING 2 1/4"
 - ④ EXISTING AGGREGATE SHOULDERS TYPE B
 - ⑤ EXISTING PIPE UNDERDRAINS 4"
 - ⑥ EXISTING HOT-MIX ASPHALT SHOULDER 10"
 - ⑦ EXISTING TEMPORARY CONCRETE BARRIER
 - ⑧ EXISTING BITUMINOUS CURB
 - ⑨ EXISTING ASPHALT RESURFACING, 3 3/4"
 - ⑩ EXISTING PCC PAVEMENT 10" (REINFORCED)
 - ⑪ EXISTING PCC PAVEMENT 8" (REINFORCED)
 - ⑫ EXISTING HOT-MIX ASPHALT SHOULDER 8"
 - ⑬ EXISTING APPROACH SLAB
 - ⑭ EXISTING A-3 SURFACE TREATMENT
 - ⑮ EXISTING AGGREGATE BASE COURSE, TYPE A 15"
- HOT-MIX ASPHALT SURFACE REMOVAL, 1"
 NOTE: FOR LIMITS OF REMOVAL ITEMS SEE REMOVAL SHEETS

REMOVAL ITEMS

FILE NAME = #FILEL#	USER NAME = Paul	DESIGNED - ESW	REVISED -	STATE OF ILLINOIS DEPARTMENT OF TRANSPORTATION	EXISTING TYPICAL SECTIONS FAI ROUTE 255 RAMP 7 AT COLLINSVILLE ROAD	F.A.I. RTE. 255	SECTION 60-(7,8)RS-2	COUNTY MADISON	TOTAL SHEETS 261	SHEET NO. 19		
						SCALE:	SHEET NO. 5 OF 8 SHEETS	STA.	TO STA.	CONTRACT NO. 76A89		
						ILLINOIS FED. AID PROJECT						