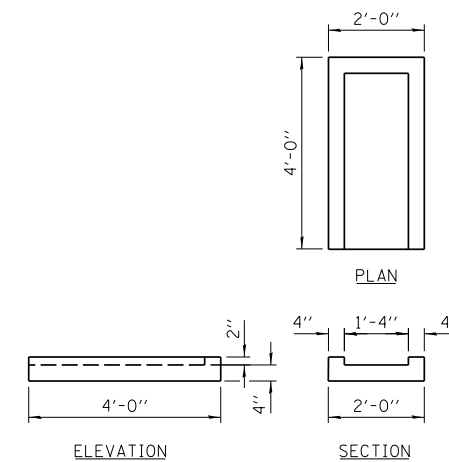
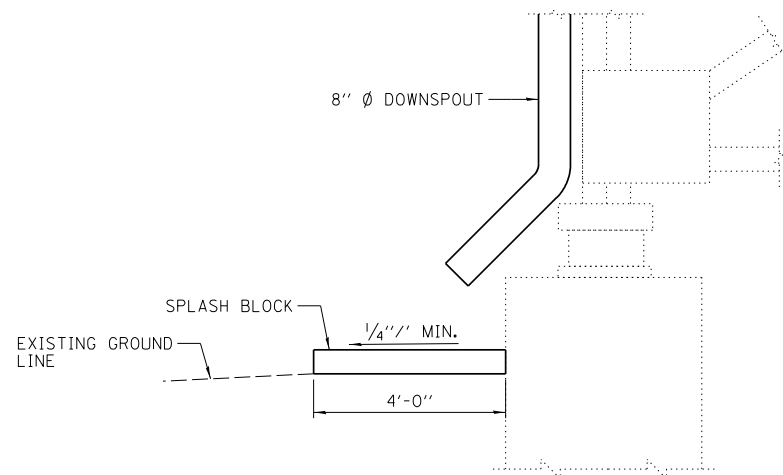
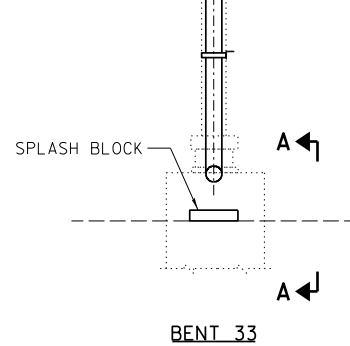


DRAINAGE SYSTEM ELEVATION
(LOOKING WEST/S.N. 082-6003)



- NOTES:**
- 1.) SPLASH BLOCK SHALL BE A MIN. OF 4" THICK CLASS SI CONCRETE. COST INCIDENTAL TO DRAINAGE SYSTEM.
 - 2.) REINFORCEMENT BARS - #3 EPOXY COATED, SHALL BE PLACED AT THE CENTER OF THE 4" THICK SPLASH BLOCK. REINFORCEMENT BARS SHALL BE AT 8" CTS. IN BOTH DIRECTIONS.
 - 3.) SOIL UNDERNEATH SPLASH-BLOCKS SHALL BE COMPACTED PRIOR TO POURING THE SPLASH BLOCK.

DESIGNED - TCR	REVISED
CHECKED - JML	REVISED
DRAWN - JWK	REVISED
CHECKED - MSW	REVISED
DATE - 05/07/12	

F.A.P. RTE.	SECTION	COUNTY	TOTAL SHEETS	SHEET NO.
788	520-1-2B	ST. GLAIR	94	30
CONTRACT NO. 76F69				