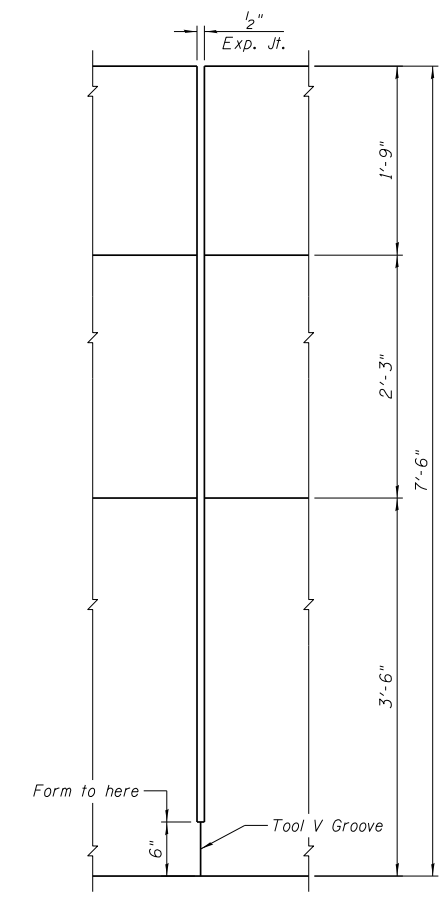
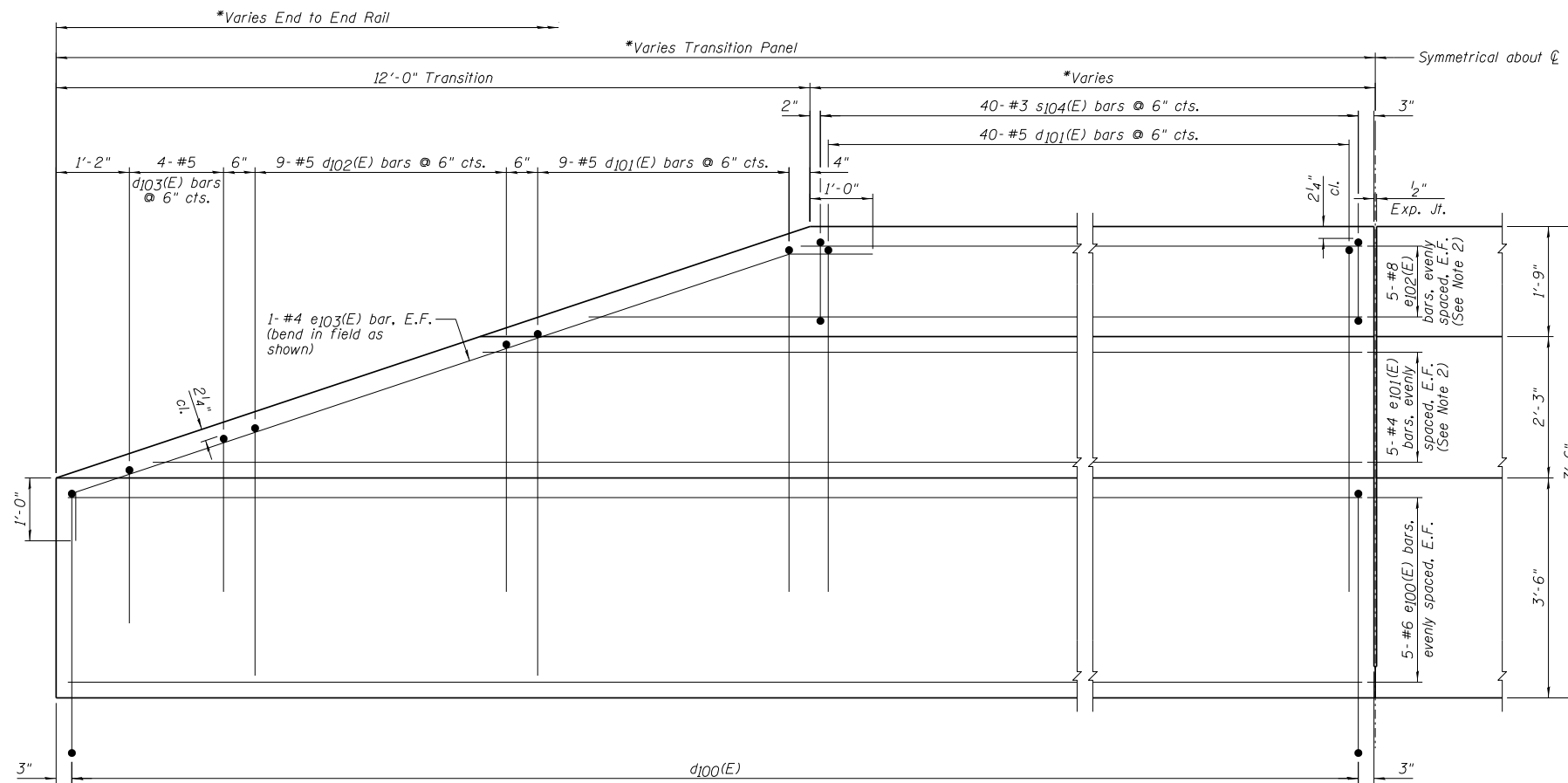


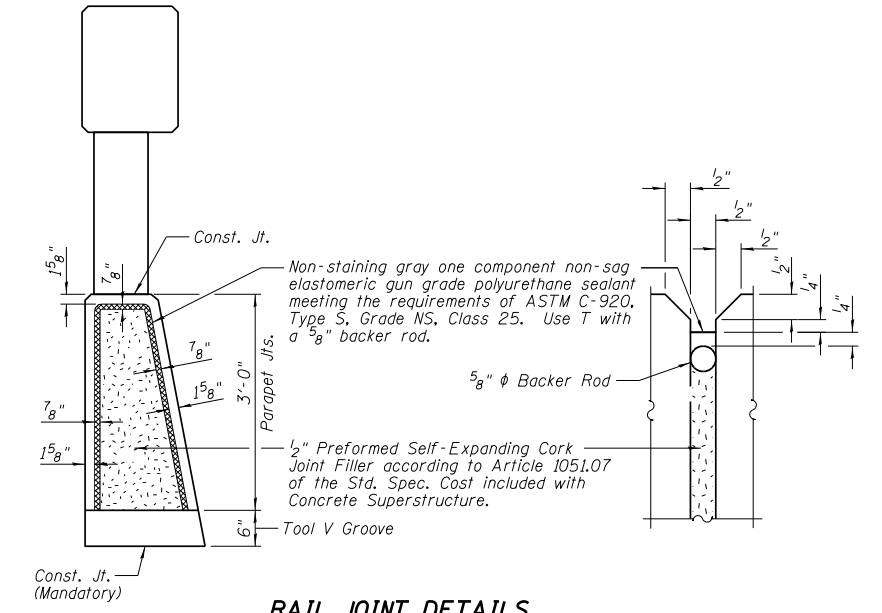
INSIDE ELEVATION OF RAIL



INTERMEDIATE WALL JOINT DETAIL



INSIDE ELEVATION SHOWING TYPICAL REINFORCEMENT



RAIL JOINT DETAILS

NOTES:

- 1.) *See Sheets A12 & A13 for dimensions.
- 2.) Order e101(E) & e102(E) bars full length. Cut according to Bar Cutting Diagram on Sheets A9 & A10. Use remainder of bars on opposite end of rail.
- 3.) See Sheets A9 & A10 for Superstructure Details and Bill of Material.



DESIGNED - TCR/JCZ	REVISED
CHECKED - JML	REVISED
DRAWN - DJM/JWK	REVISED
CHECKED - MSW	REVISED
DATE - 06/26/12	

**STATE OF ILLINOIS
DEPARTMENT OF TRANSPORTATION**

**RAIL DETAILS
STRUCTURE NO. 082-0385 NB & 082-0386 SB**

SHEET NO. A14 OF 48 SHEETS

F.A.P. RTE.	SECTION	COUNTY	TOTAL SHEETS	SHEET NO.
788	520-1-2B	ST. CLAIR	94	45
CONTRACT NO. 76F69			ILLINOIS FED. AID PROJECT	