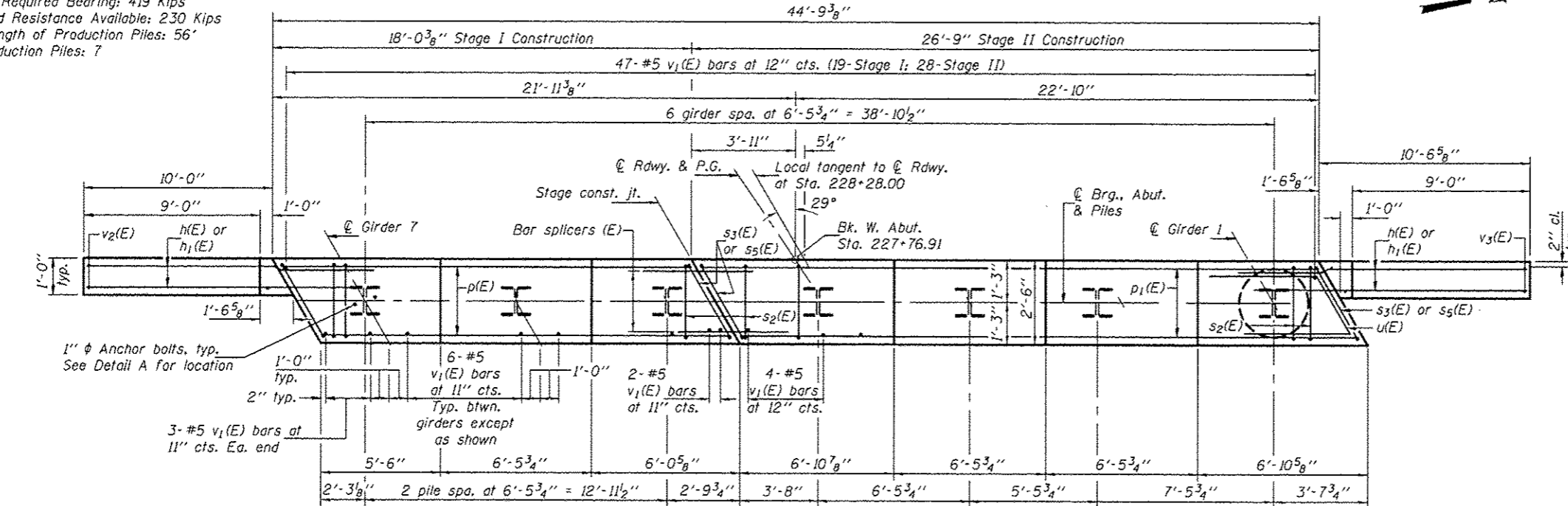


PILE DATA
 Type: Steel HP12x53 with pile shoes
 Nominal Required Bearing: 419 Kips
 Factored Resistance Available: 230 Kips
 Est. Length of Production Piles: 56'
 No. Production Piles: 7

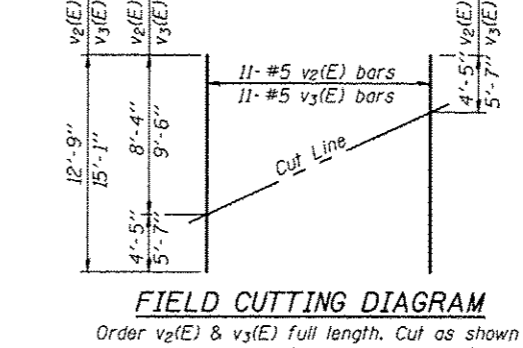
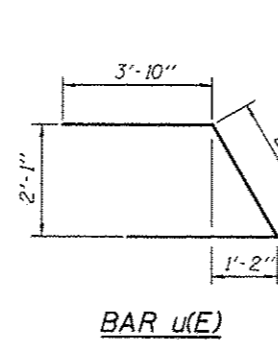
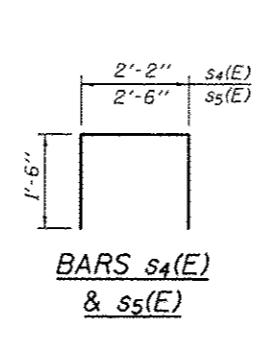
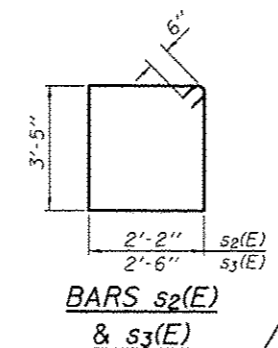
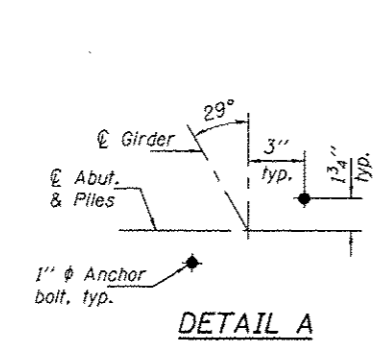


BILL OF MATERIAL

Bar	No.	Size	Length	Shape
h1(E)	90	#6	12'-6"	—
h2(E)	4	#5	13'-3"	—
h3(E)	6	#4	3'-10"	—
h4(E)	6	#4	7'-6"	—
p(E)	11	#7	17'-8"	—
p1(E)	11	#7	26'-5"	—
s2(E)	40	#5	12'-2"	□
s3(E)	4	#5	12'-10"	□
s4(E)	43	#4	5'-2"	□
s5(E)	4	#4	5'-6"	□
u(E)	9	#6	10'-1"	∩
v1(E)	89	#5	4'-4"	—
v2(E)	11	#5	12'-9"	—
v3(E)	11	#5	15'-1"	—
Structure Excavation	Cu. Yd.		24.6	
Concrete Structures	Cu. Yd.		23.5	
Reinforcement Bars, Epoxy Coated	Pound		4420	
Furnishing Steel Piles HP12x53	Foot		392	
Driving Piles	Foot		392	
Pile Shoes	Each		7	
Concrete Encasement	Cu. Yd.		2.4	
Anchor Bolts 1"	Each		14	

Notes:
 Pour steps monolithically with cap.

MIN. BAR LAP
 #4 bar = 1'-10"



1 SHEET ADDED 1-4-13