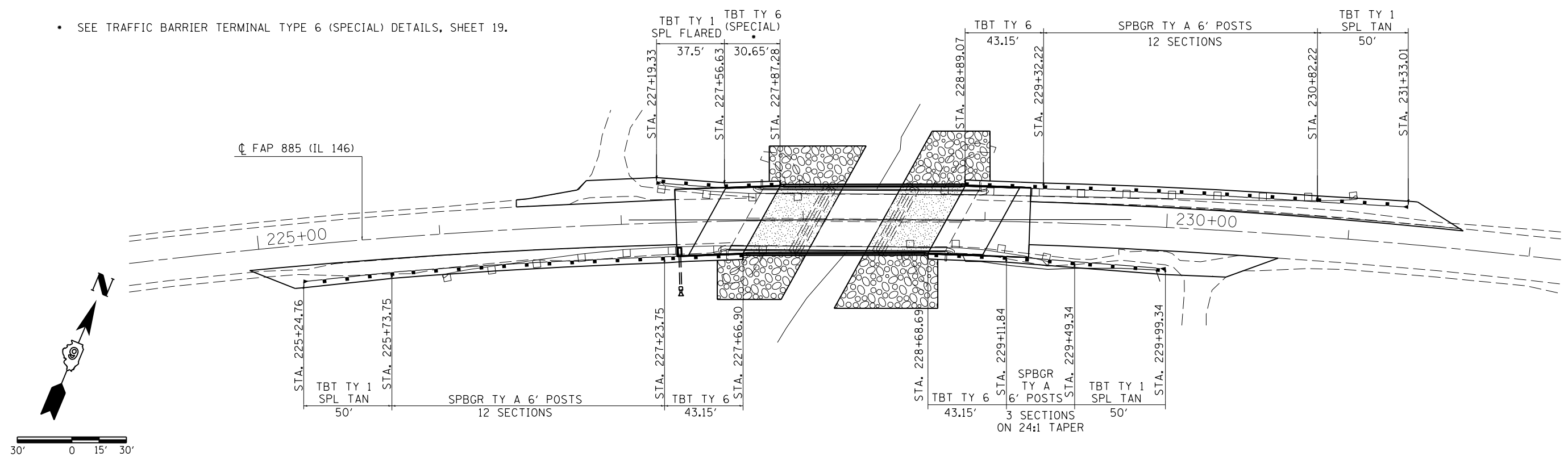
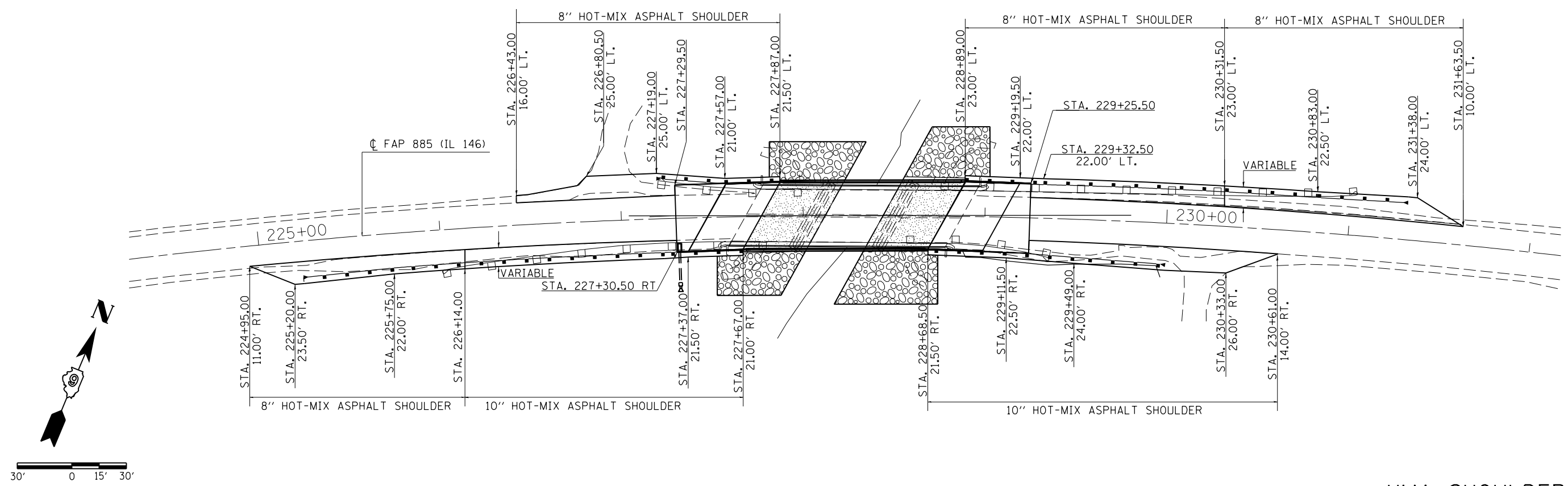


• SEE TRAFFIC BARRIER TERMINAL TYPE 6 (SPECIAL) DETAILS, SHEET 19.



TERMINAL & GUARDRAIL LAYOUT



HMA SHOULDER LAYOUT

FILE NAME =	USER NAME = \$USER\$	DESIGNED BILL PORTER	REVISED -	<b>STATE OF ILLINOIS DEPARTMENT OF TRANSPORTATION</b>	<b>TERMINAL &amp; GUARDRAIL/HMA SHOULDER LAYOUT</b>	F.A.P. RTE.	SECTION	COUNTY	TOTAL SHEETS	SHEET NO.
et:\pw\work\p\midot\kellaykd\0242339\78152.msc.dgn	DRAWN LUKE MURPHY	REVISED -	885			11B-1	HARDIN	50	16	
PLOT SCALE = 60.0000' / in.	CHECKED	REVISED -	CONTRACT NO. 78152							
PLOT DATE = 10/17/2012	DATE	REVISED -	ILLINOIS FED. AID PROJECT							
				SCALE:	SHEET OF SHEETS	STA.	TO STA.			