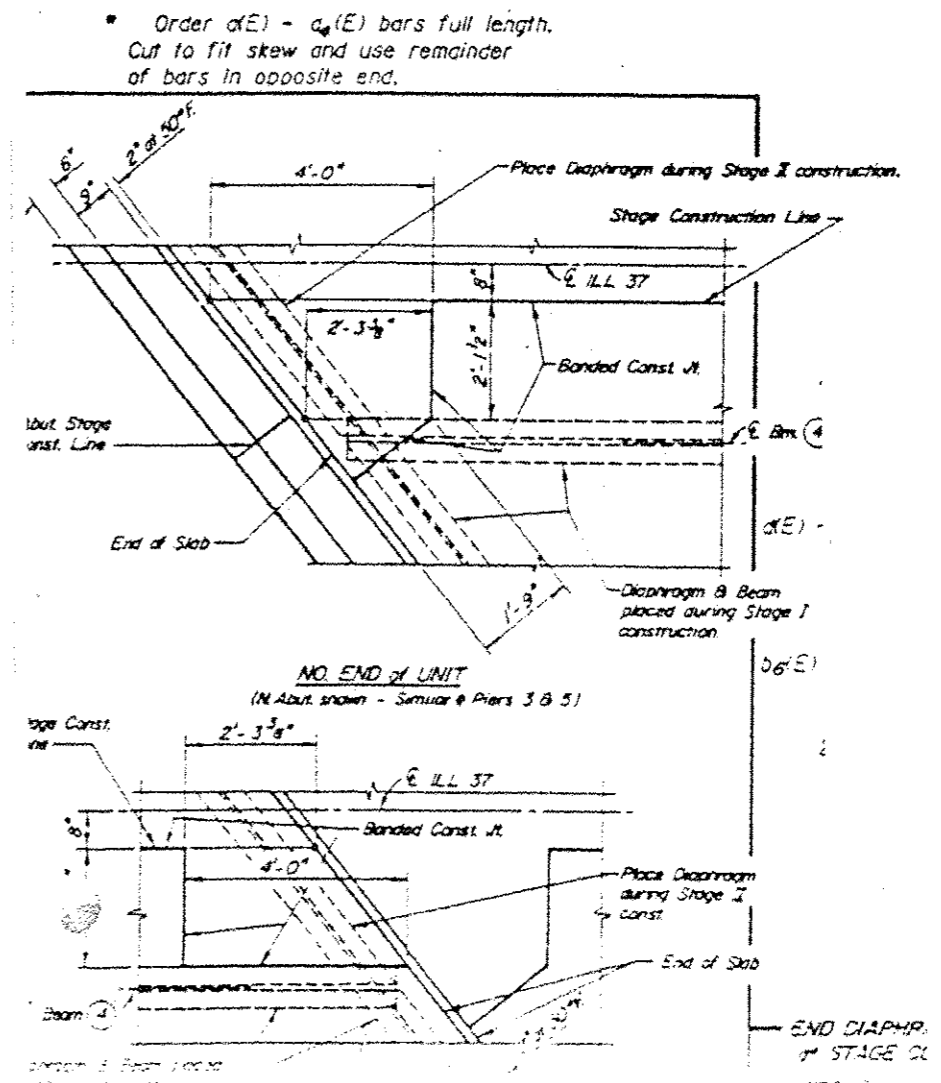


SECTION A-A
(See Sheet 9 for Exp. Device Details)



FOR INFORMATION ONLY

FILE NAME *	USER NAME * gautneyrk	DESIGNED -	REVISED -	STATE OF ILLINOIS DEPARTMENT OF TRANSPORTATION	SN 041-0032	RTE.	SECTION	COUNTY	TOTAL SHEETS	SHEET NO.
c:\pwork\psidot\gautneyrk\d0319566\78	41-ahp-plan.dgn	DRAWN -	REVISED -		IL 37 OVER CASEY FORK	VAR. D9 BRIDGE PAINTING 2013-1	VARIOUS	VARIOUS	33	20
MODELNAME *	PLOT SCALE = 48.0000' / in.	CHECKED -	REVISED -		SCALE: _____ SHEET _____ OF _____ SHEETS	STA. _____ TO STA. _____	ILLINOIS FED. AID PROJECT			
	PLOT DATE = 10/11/2012	DATE -	REVISED -		CONTRACT NO. 78341					