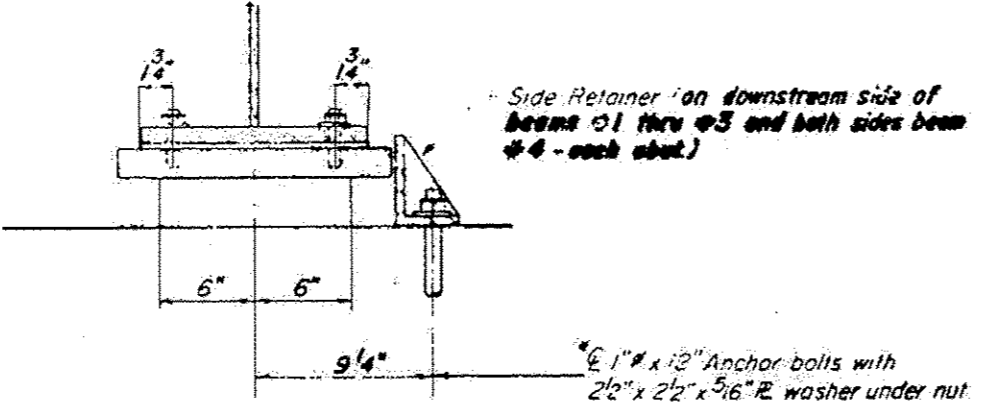
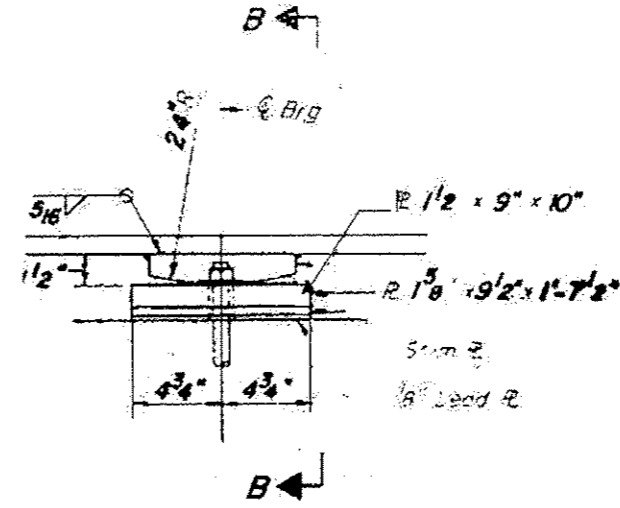


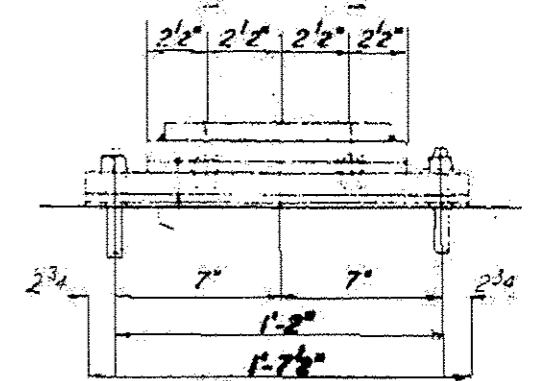
SECTION AT ABUT.



SECTION A-A



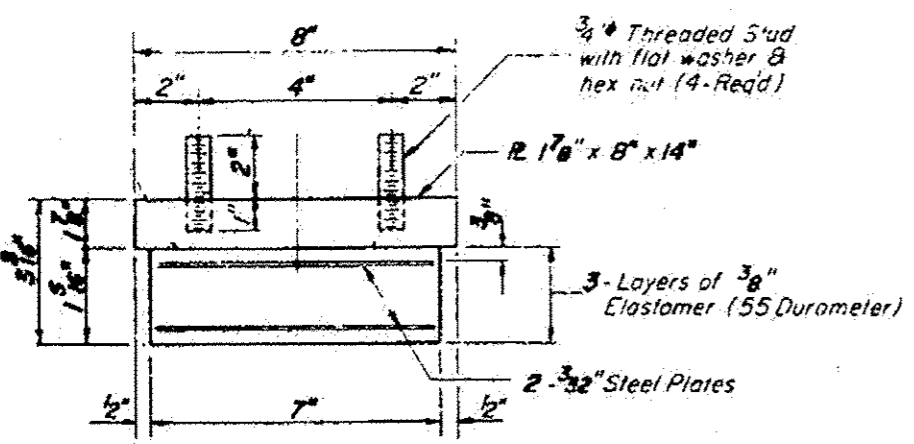
ELEVATION AT PIER



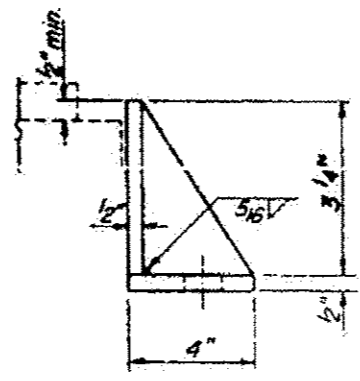
SECTION B-B

TYPE I ELASTOMERIC EXP. BRG.

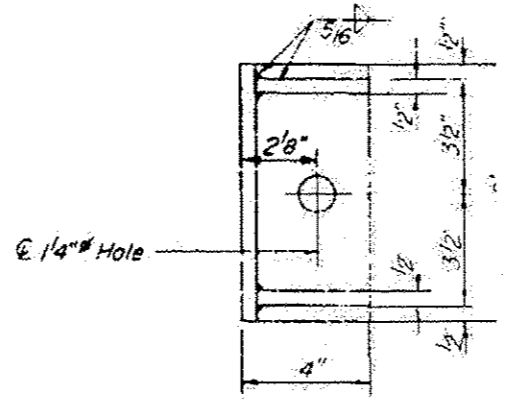
FIXED BEARING



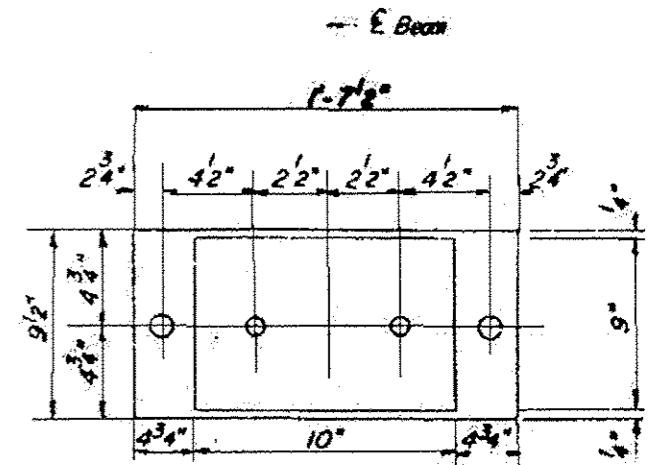
BEARING ASSEMBLY



SIDE RETAINER  
(No. Req'd = 10)

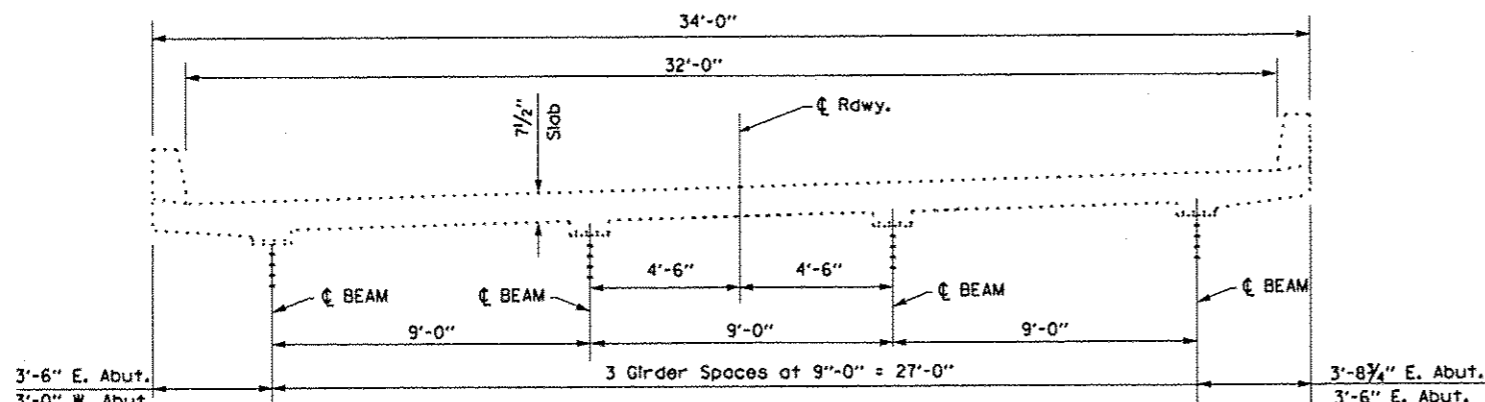


PINTLE



PLAN

Note: Shim plates shall not be placed under Bearing Assembly.



DECK CROSS SECTION

FOR INFORMATION ONLY

FILE NAME *	USER NAME * gautneyrk	DESIGNED -	REVISED -	STATE OF ILLINOIS DEPARTMENT OF TRANSPORTATION	SN 076-0001	RTE.	SECTION	COUNTY	TOTAL SHEETS	SHEET NO.
o:\p\work\p\p\p\gautneyrk\08319666\78	41-shr-plan.dgn	DRAWN -	REVISED -		IL 34 OVER GIBBONS CREEK	VAR. D9 BRIDGE PAINTING 2013-	VARIOUS	33	30	
	PLOT SCALE = 48,0000 / in.	CHECKED -	REVISED -		SCALE: _____				CONTRACT NO. 78341	
#MODELNAME#	PLOT DATE = 10/11/2012	DATE -	REVISED -		SHEET _____ OF _____ SHEETS	STA. _____ TO STA. _____	ILLINOIS FED. AID PROJECT			