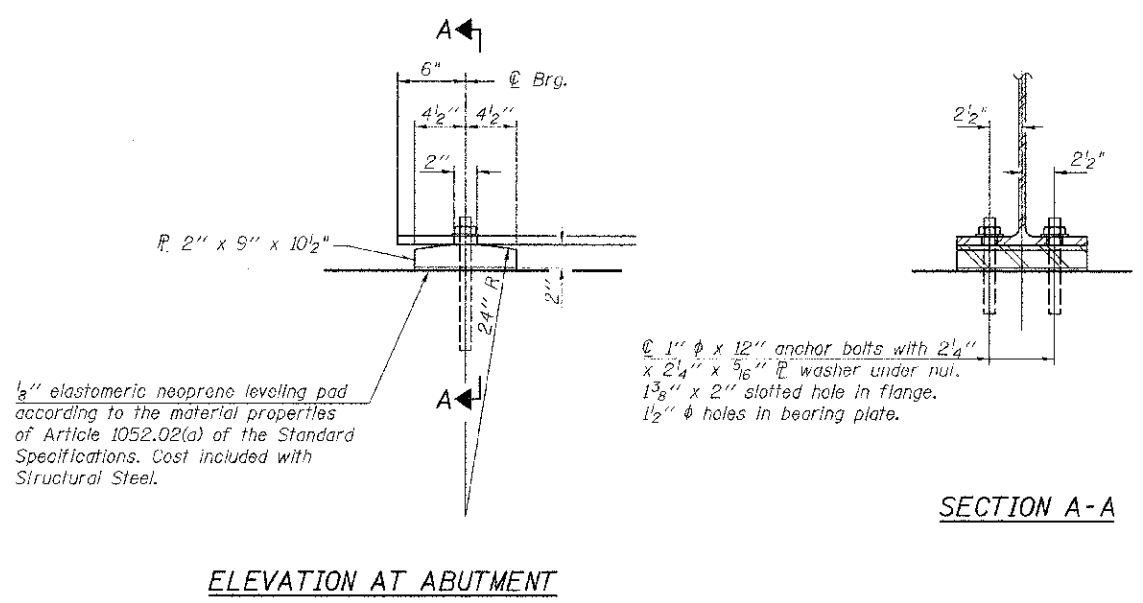


Notes:  
 Anchor bolts shall be ASTM F1554 all-thread (or an Engineer-approved alternate material) of the grade(s) and diameter(s) specified. The corresponding specified grade of AASHTO M314 anchor bolts may be used in lieu of ASTM F1554.  
 Anchor bolts at fixed bearings may be either cast in place or installed in holes drilled after the supported member is in place.  
 Drilled and set anchor bolts shall be installed according to Article 521.06 of the Standard Specifications.  
 The structural steel bearing plates shall conform to the requirements of AASHTO M 270 Grade 50W.  
 Anchors shall be set and grout cured for a minimum of 24 hours prior to forming the bridge deck.



1/2" elastomeric neoprene leveling pad according to the material properties of Article 1052.02(a) of the Standard Specifications. Cost included with Structural Steel.

1"  $\phi$  x 12" anchor bolts with 2 1/4" x 2 1/4" x 5/16"  $\phi$  washer under nut.  
 1 3/8" x 2" slotted hole in flange.  
 1 1/2"  $\phi$  holes in bearing plate.

ELEVATION AT ABUTMENT

SECTION A-A

FIXED BEARING  
 (10 Required)

BILL OF MATERIAL

ITEM	UNIT	TOTAL
Anchor Bolts, 1"	EACH	20

BEARING DETAILS  
COUNTY HIGHWAY 9 OVER  
LOUIS CREEK TRIBUTARY  
SEC. 08-00130-02-BR  
IROQUOIS COUNTY  
STATION 214+96.00

SHEET NO. 10	F.A.S. RTE.	SECTION	COUNTY	TOTAL SHEETS	SHEET NO.
15 SHEETS	334	08-00130-02-BR	IROQUOIS	27	16
SN 038-3014			CONTRACT NO. 87524		
FED. ROAD DIST. NO. 7 ILLINOIS			FED. AID PROJECT BRS-0344(113)		