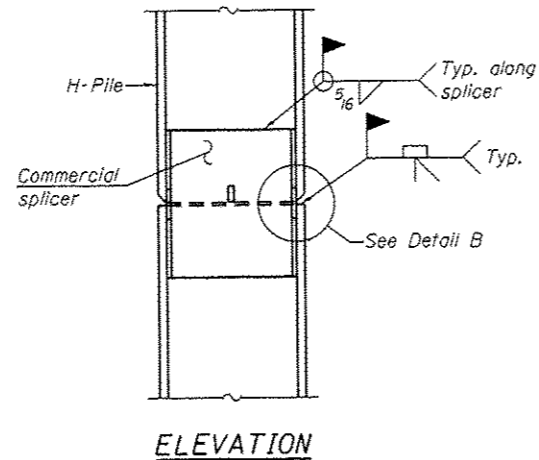
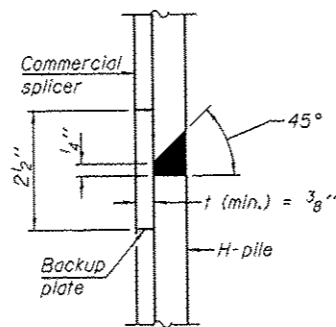


STEEL PILE TABLE

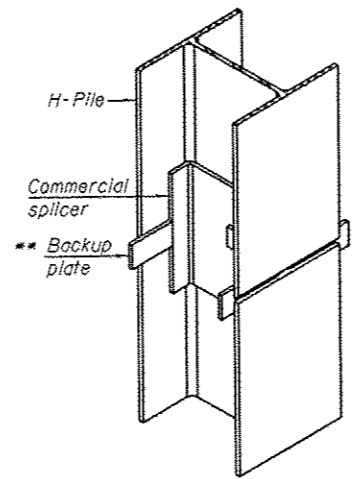
Designation	Depth d	Flange width br	Web and Flange thickness t	Encasement diameter A
HP 14x117	14 1/4"	14 7/8"	1 3/16"	30"
x102	14"	14 3/4"	1 1/16"	30"
x89	13 7/8"	14 3/4"	5/8"	30"
x73	13 5/8"	14 5/8"	1/2"	30"
HP 12x84	12 1/4"	12 1/4"	1 1/16"	24"
x74	12 1/8"	12 1/4"	5/8"	24"
x63	12"	12 1/8"	1/2"	24"
x53	11 3/4"	12"	7/16"	24"
HP 10x57	10"	10 1/4"	9/16"	24"
x42	9 3/4"	10 1/8"	7/16"	24"
HP 8x36	8"	8 1/8"	7/16"	18"



ELEVATION

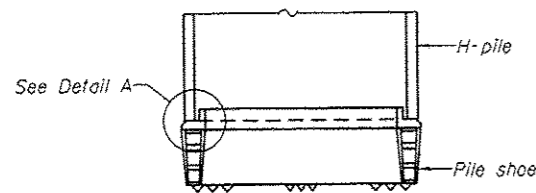


DETAIL "B"

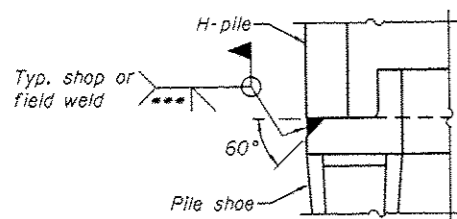


ISOMETRIC VIEW

WELDED COMMERCIAL SPLICE

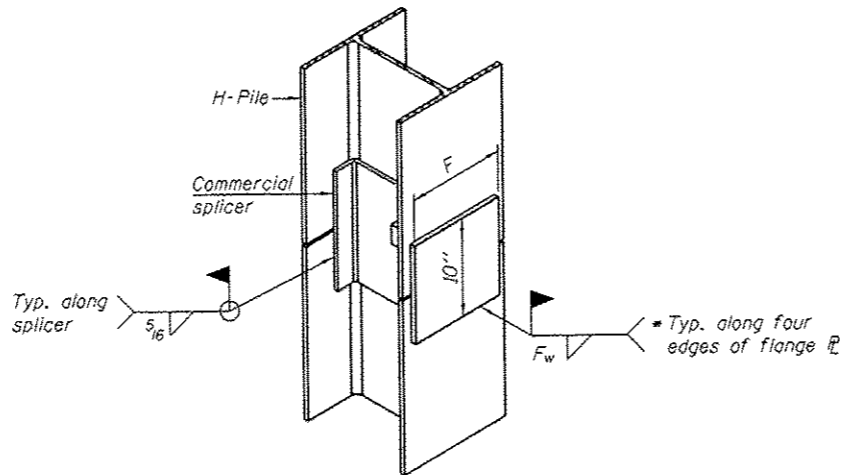


ELEVATION



DETAIL A

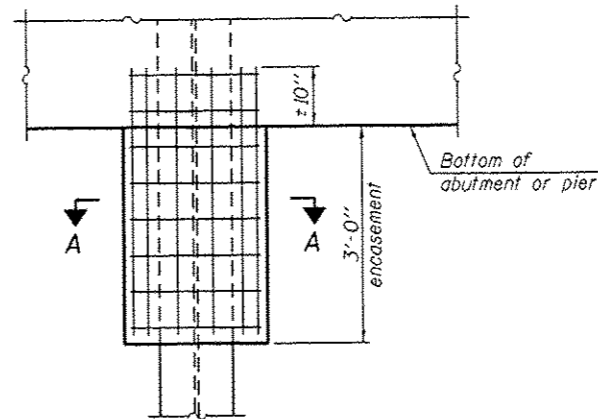
H-PILE SHOE ATTACHMENT



ISOMETRIC VIEW

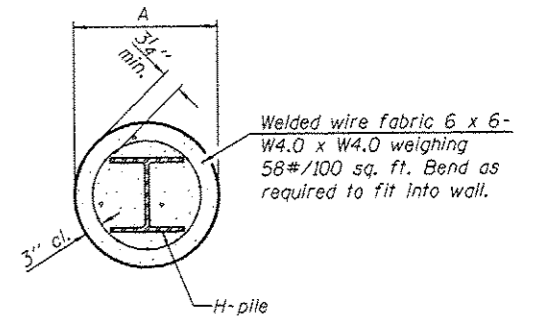
WELDED COMMERCIAL SPLICE ALTERNATE

- Interrupt welds 1/4" from end of web and/or each flange.
- Remove portions of backup plates that extend outside the flanges.
- Weld size per pile shoe manufacturer (5/16" min.).



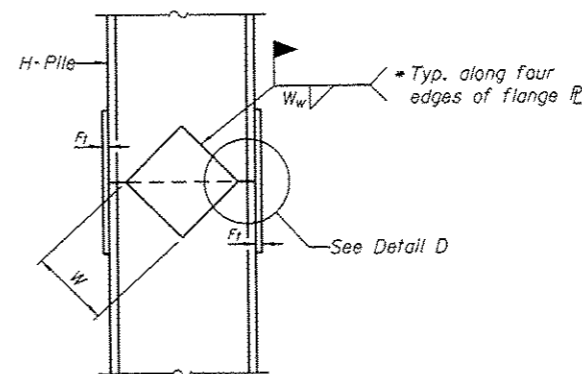
ELEVATION

PILE ENCASEMENT



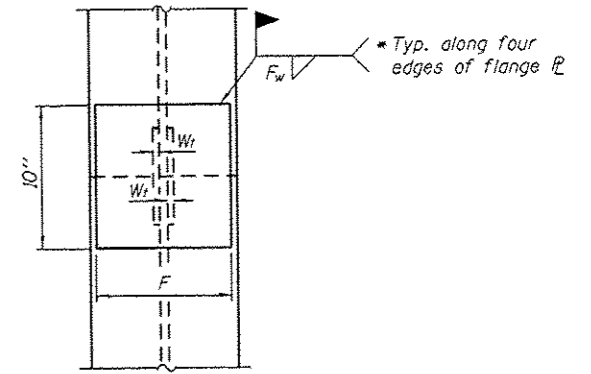
SECTION A-A

Note:
Forms for encasement may be omitted when soil conditions permit.

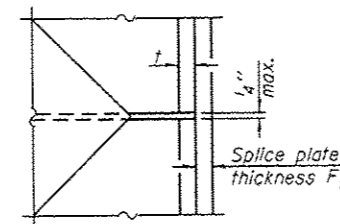


ELEVATION

WELDED PLATE FIELD SPLICE



END VIEW



DETAIL D

Designation	F	F _t	F _w	W	W _t	W _w
HP 14x117	12 1/2"	1"	7/8"	7 3/4"	5/8"	1/2"
x102	12 1/2"	7/8"	3/4"	7 3/4"	5/8"	1/2"
x89	12 1/2"	3/4"	11/16"	7 3/4"	5/8"	1/2"
x73	12 1/2"	5/8"	9/16"	7 3/4"	5/8"	1/2"
HP 12x84	10"	7/8"	11/16"	6 1/2"	5/8"	1/2"
x74	10"	7/8"	11/16"	6 1/2"	5/8"	1/2"
x63	10"	5/8"	1/2"	6 1/2"	1/2"	3/8"
x53	10"	5/8"	1/2"	6 1/2"	1/2"	3/8"
HP 10x57	8"	3/4"	9/16"	5 1/4"	1/2"	3/8"
x42	8"	5/8"	9/16"	5 1/4"	1/2"	3/8"
HP 8x36	7"	5/8"	7/16"	4 1/4"	1/2"	3/8"

Note:
The steel H-piles shall be according to AASHTO M270 Grade 50.

F-HP 7-1-10

<p>INFRASTRUCTURE ENGINEERING 456 Fullon Street Suite 104 Peoria, IL 61602 P: 309.251.2000 F: 309.251.2011 www.ine-engineering.com</p>	DESIGNED -	REVISD -	<p>PEORIA COUNTY HIGHWAY DEPARTMENT</p>	HP PILE DETAILS		F.A.S. RTE.	SECTION	COUNTY	TOTAL SHEETS	SHEET NO.	
	CHECKED -	REVISD -		STRUCTURE NO. 072-3148		1381	10-00005-03-BR	PEORIA	55	36	
	PLOT SCALE =	DRAWN - LAN		REVISD -	SHEET NO. 14 OF 18 SHEETS		CONTRACT NO. 89464				
	PLOT DATE =	CHECKED - SPK		REVISD -			ILLINOIS FED. AID PROJECT				

18/29/2012 5:01:05 PM P:\P-16\2366 - Smoynville Road Bridge\DCR\0400 Sheets\Structural\B72146.2366.dwg HP Pile.dwg