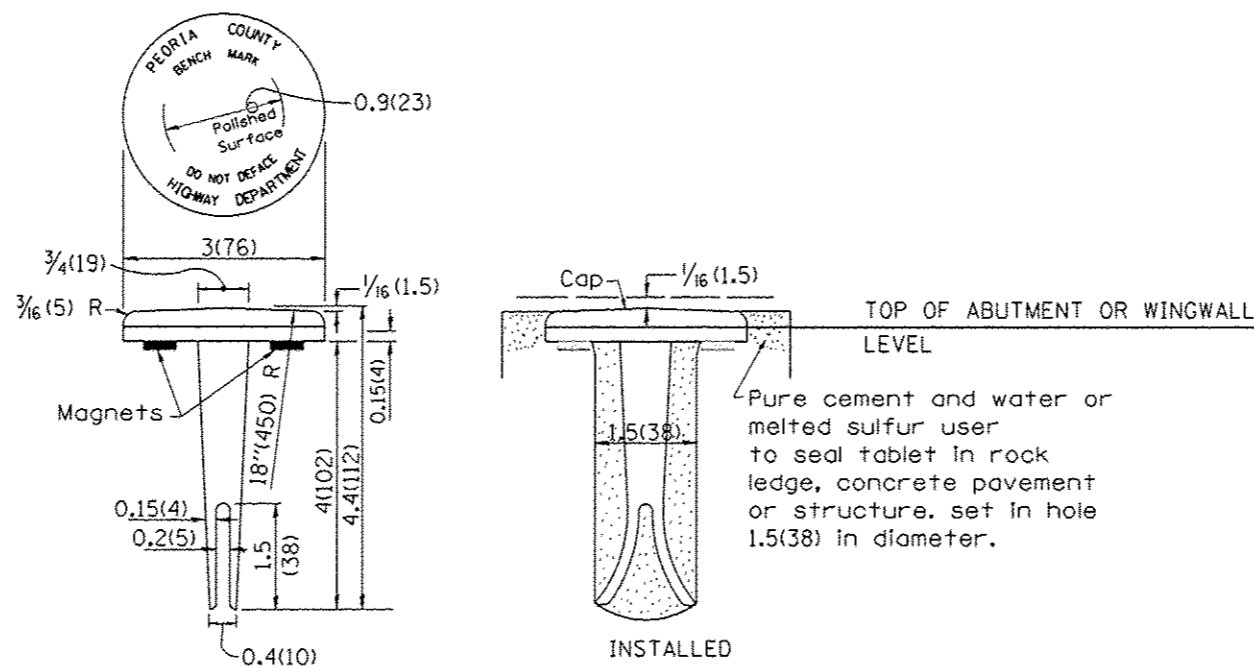


TYPICAL BRIDGE LOCATION



BRONZE TABLET

GENERAL NOTES

1. The Permanent Bench Mark shall be cast in place, and precast markers will not be allowed.
2. Two permanent magnets, each having a diameter of  $\frac{3}{4}$  (19) and a thickness of  $\frac{1}{4}$  (6), or equivalent, shall be attached to the underside of the tablet with an approved epoxy bonding agent.
3. The location of the Bench Mark shall be in accordance with the plans in general.
4. The Bench Mark shall be placed under the direction of the Engineer and shall be installed in a workmanlike manner in order that there will be no further settlement or horizontal shifting. The monument shall be placed in a way that the survey point will fall within the portion of the plaque provided for that purpose.
5. The project designation, the centerline station, the survey point, and the elevation shall be permanently marked by the use of metal dies after the Bench Mark has been installed.

FILE NAME = #FILES#	DESIGNED - AJP	REVISED -	PEORIA COUNTY HIGHWAY DEPARTMENT				PERMANENT BENCH MARK				F.A.S. RTE.	SECTION	COUNTY	TOTAL SHEETS	SHEET NO.	
USER NAME = IEI	DRAWN - AJP	REVISED -					1381	10-00005-03-BR	PEORIA	55	46A					
PLOT SCALE = 200.0000''/1'	CHECKED - BAR	REVISED -	SCALE: N.T.S.				SHEET NO.	OF	SHEETS	STA.	TO	STA.	CONTRACT NO. 89464			
PLOT DATE = 10/28/2012	DATE - 11/02/2012	REVISED -					ILLINOIS FED. AID PROJECT									