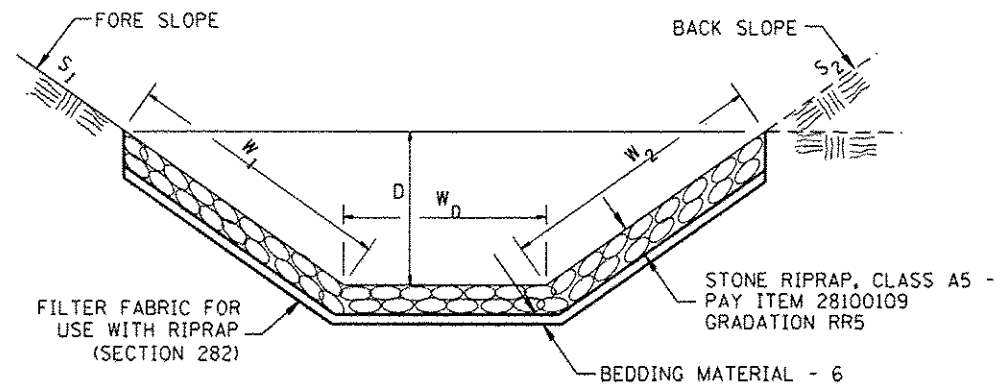


Designer NOTES:  
 1. Designer to modify this Special Detail Sheet, as needed for inclusion in plans.  
 2. (\*) Designer to specify pay item including material, quality, and gradation.  
 3. (\*\*) Designer to specify thickness of bedding material.  
 4. Include District Special Provision if needed.

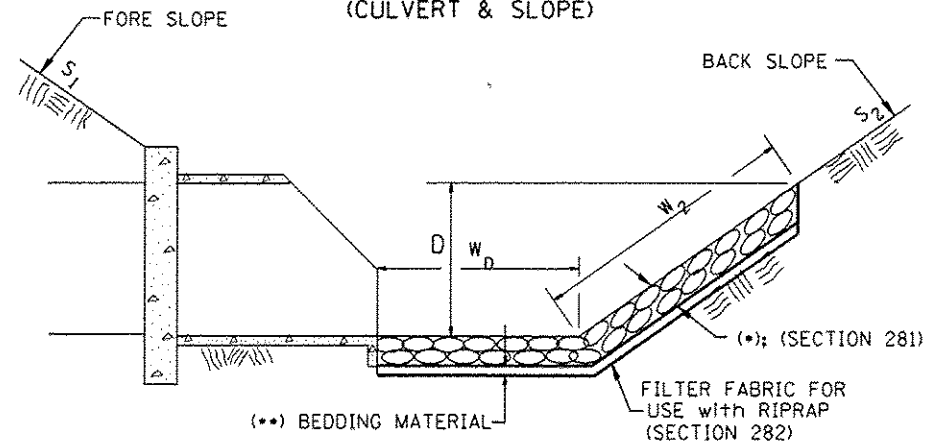
**CASE 1  
(DITCH)**



(*)				
LOCATION	WIDTH (1)	LENGTH	RIPRAP	FABRIC
STA TO STA	lin ft (m)	lin ft (m)	sq yds (m <sup>2</sup> )	sq yds (m <sup>2</sup> )
197+50 TO 198+50 RIGHT	13'	100'	144	144
198+50 TO 199+99 RIGHT	13'	149'	215	215
198+39 TO 199+98 LEFT	13'	159'	230	230
200+08 TO 200+85 RIGHT	13'	77'	111	111
<b>TOTAL</b>			<b>700</b>	<b>700</b>

(1) WIDTH =  $W_1 + W_2 + W_D$

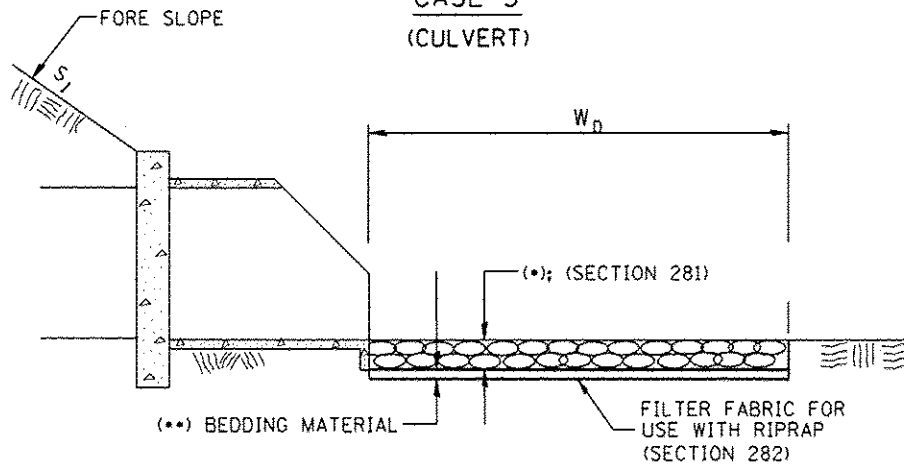
**CASE 2  
(CULVERT & SLOPE)**



(*)				
LOCATION	WIDTH (1)	LENGTH	RIPRAP	FABRIC
STA TO STA	lin ft (m)	lin ft (m)	tons (m tons)	sq yds (m <sup>2</sup> )
<b>TOTAL</b>				

(1) WIDTH =  $W_2 + W_D$

**CASE 3  
(CULVERT)**



(*)				
LOCATION	WIDTH (1)	LENGTH	RIPRAP	FABRIC
STA TO STA	lin ft (m)	lin ft (m)	tons (m tons)	sq yds (m <sup>2</sup> )
<b>TOTAL</b>				

(1) WIDTH =  $W_D$

All slope ratios are expressed as units of vertical displacement to units of horizontal displacement (V:H).  
 All dimensions are in inches (millimeters) unless otherwise noted.

1-1-97	RENUM. A-12.02, NEW REVISION BOX	T.P.
12-1-97	CORRECT FILTER FABRIC LEADER ARROW	J.A.
10-16-06	REVISED TO 2007 SPEC.	M.A.

STATE OF ILLINOIS  
DEPARTMENT OF TRANSPORTATION

NOT TO SCALE

RIPRAP DITCH FOR EROSION PROTECTION

CADD STD, 281001-D4

F.A.S. RTE.	SECTION	COUNTY	TOTAL SHEETS	SHEET NO.
1381	10-00005-03-BR	PEORIA	56	49
CONTRACT NO. 89464			ILLINOIS FED. AID PROJECT	