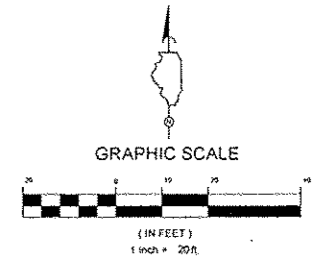
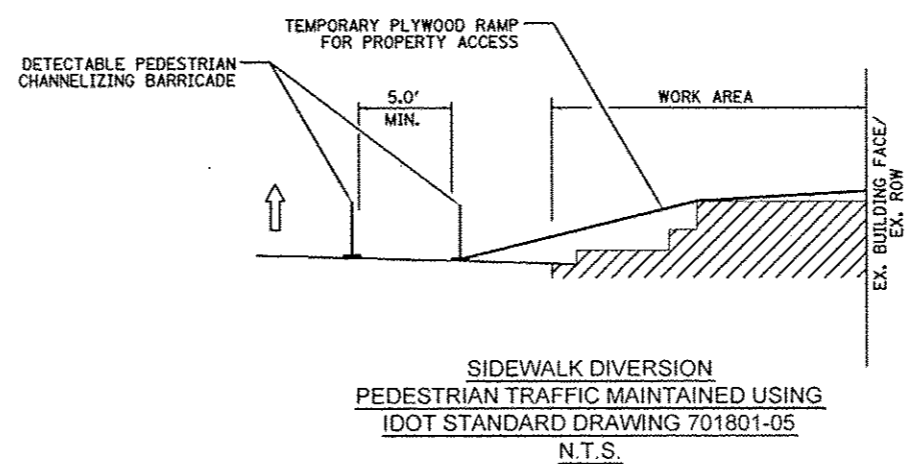


MAINTENANCE OF TRAFFIC
PEDESTRIAN PATH NOTES AND DETAILS

1. THE CONTRACTOR SHALL MAINTAIN PEDESTRIAN ACCESS (MIN. 5') TO ADJACENT PROPERTIES (WHERE APPLICABLE) BY INSTALLING ADA COMPLIANT PLYWOOD WALKWAYS. PEDESTRIAN ACCESS TO ADJACENT PROPERTIES SHALL BE UNINTERRUPTED UNTIL THE WALKWAY IS FULLY RESTORED. THE CONTRACTOR SHALL ALSO BE RESPONSIBLE FOR THE INSTALLATION AND MAINTENANCE OF SIGNAGE AND OTHER ITEMS TO ENSURE SAFE PEDESTRIAN ACCESS.
2. USE ONE "PEDESTRIAN WALKWAY (ARROW)" (BLACK LEGEND ON WHITE REFLECTORIZED BACKGROUND) SIGN AT EACH END OF EACH SIDEWALK SECTION BEING DIVERTED.
3. AT EACH POINT OF CLOSURE, SUFFICIENT NUMBERS OF BARRICADES MUST BE USED TO COMPLETELY CLOSE THE PATHWAY.
4. PEDESTRIAN WALKWAYS MUST BE MAINTAINED FREE OF ANY OBSTRUCTIONS AND HAZARDS SUCH AS HOLES, DEBRIS, MUD, CONSTRUCTION EQUIPMENT, STORED MATERIALS, ETC. AND MUST BE BROOM SWEEPED DAILY OR AS DIRECTED BY THE ENGINEER.
5. ALL HAZARDS NEAR OR ADJACENT TO WALKWAYS MUST BE CLEARLY DELINEATED.
6. THE CONTRACTOR MUST MAINTAIN DISABLED PERSON PEDESTRIAN ACCESS TO CROSSWALKS AND SIDE STREETS AT ALL TIMES VIA ADA COMPLIANT WOOD FRAME CONSTRUCTED WALKWAYS AND RAMP THROUGH THE WORK ZONES. THESE ACCESSES MUST BE OBSERVED AND PROTECTED BY THE CONTRACTOR AT ALL TIMES.



LEGEND AND ABBREVIATIONS:

- WORK AREA
- AGGREGATE FOR TEMPORARY ACCESS
- ADA COMPLIANT TEMPORARY PLYWOOD RAMP
- TEMPORARY TRAFFIC CONTROL SIGN
- DRUMS
- DETECTABLE PEDESTRIAN CHANNELIZING BARRICADE

FILE NAME *	DESIGNED KC	REVISED -	<p>TERRA ENGINEERING LTD. 225 W. OHIO ST., FOURTH FL. CHICAGO, IL 60654 (312)467-6123</p>	CITY OF ELMWOOD	MAINTENANCE OF TRAFFIC PLAN ELMWOOD STREETScape	F.A. RTE.	SECTION	COUNTY	TOTAL SHEETS	SHEET NO.
DRAWN KC	REVISED -	10-00002-00-LS				PEORIA	34	21		
USER NAME *	CHECKED DA	REVISED -				CONTRACT NO. 89604				
DATE	10/29/2012	REVISED -				ILLINOIS FED. AID PROJECT				
PLOT DATE *	DATE	10/29/2012	REVISED -	SCALE: 1" = 20'-0"	STA. 15+00.66 TO STA. 19+83.77					