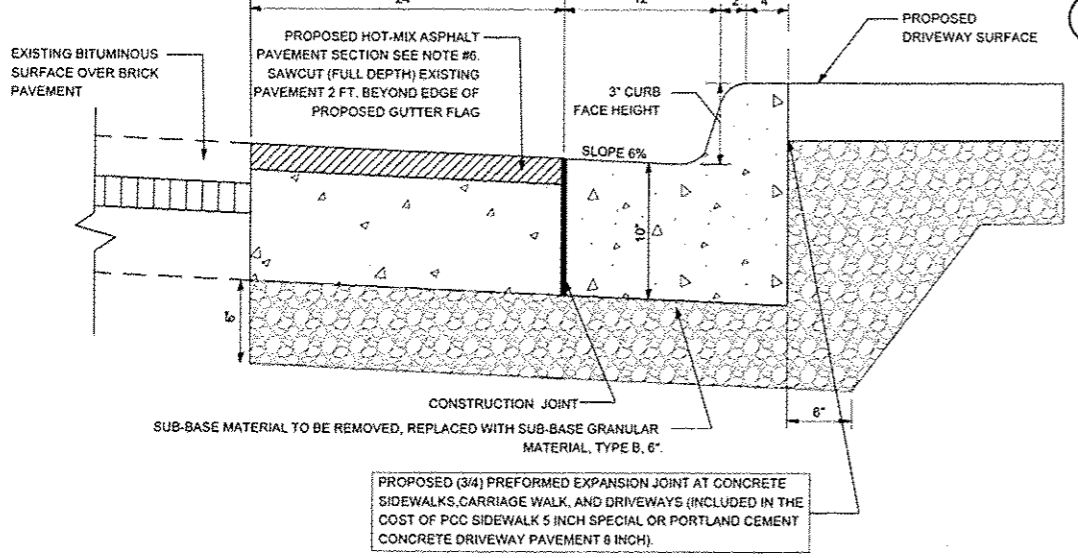


BASIS OF PAYMENT:
THIS WORK WILL BE PAID FOR AT THE CONTRACT UNIT PRICE PER FOOT FOR COMBINATION CONCRETE CURB AND GUTTER (SPECIAL).

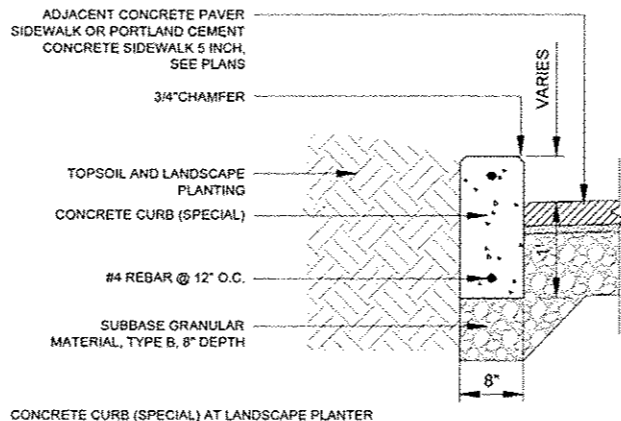
- NOTES:**
- COMBINATION CONCRETE CURB AND GUTTER (SPECIAL) SHALL TRANSITION TO MATCH THE SHAPE OF EXISTING CURB OR CURB AND GUTTER UNLESS OTHERWISE SPECIFIED.
 - LONGITUDINAL BARS, IF ENCOUNTERED IN THE EXISTING CURB OR CURB AND GUTTER, ARE NOT TO BE REPLACED. CUTTING AND REMOVING LONGITUDINAL BARS SHALL BE INCLUDED IN THE COST OF COMBINATION CURB AND GUTTER REMOVAL.
 - CONSTRUCTION OF COMBINATION CURB AND GUTTER (SPECIAL) SHALL BE DONE IN ACCORDANCE WITH THE APPLICABLE PORTIONS OF SECTION 606 OF THE STANDARD SPECIFICATIONS.
 - DEPRESSED CURBS FOR DRIVEWAYS AND ALLEYS SHALL BE PER IDOT STANDARD 606001-05 AS DETAILED FOR B-6:12 CURB AND GUTTER.
 - DEPRESSED CURB ADJACENT TO CURB RAMP ACCESSIBLE TO THE DISABLED SHALL BE PER IDOT STANDARD 606001-05 AS DETAILED FOR B-6:12 CURB AND GUTTER.
 - PROPOSED HOT MIX ASPHALT PAVEMENT SECTION SHALL BE:
2" HOT MIX ASPHALT SURFACE COURSE, MIX "C", N50
6" PORTLAND CEMENT CONCRETE BASE COURSE
6" SUB-BASE GRANULAR MATERIAL, TYPE B

1 COMBINATION CONCRETE CURB AND GUTTER (SPECIAL)
SCALE: NTS

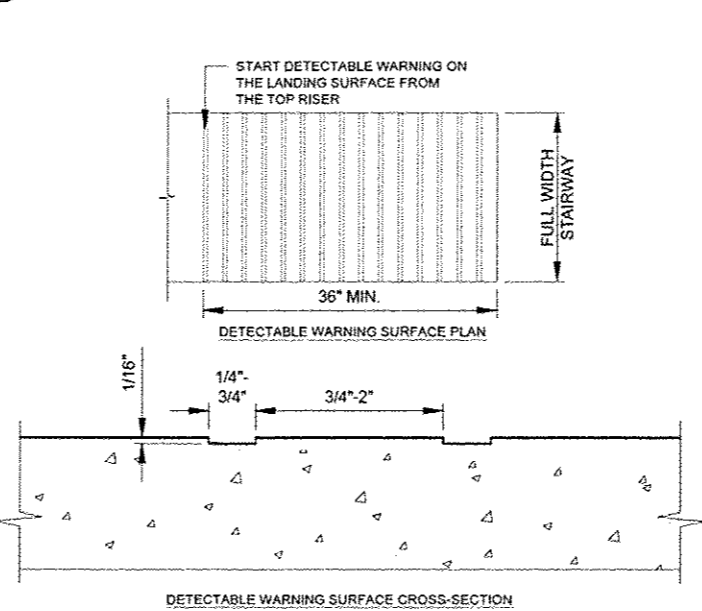


- NOTES:**
- NOTES 1, 2, 3, AND 6 OF COMBINATION CURB AND GUTTER (SPECIAL) ABOVE APPLY TO COMBINATION CONCRETE CURB AND GUTTER, TYPE M (MODIFIED).

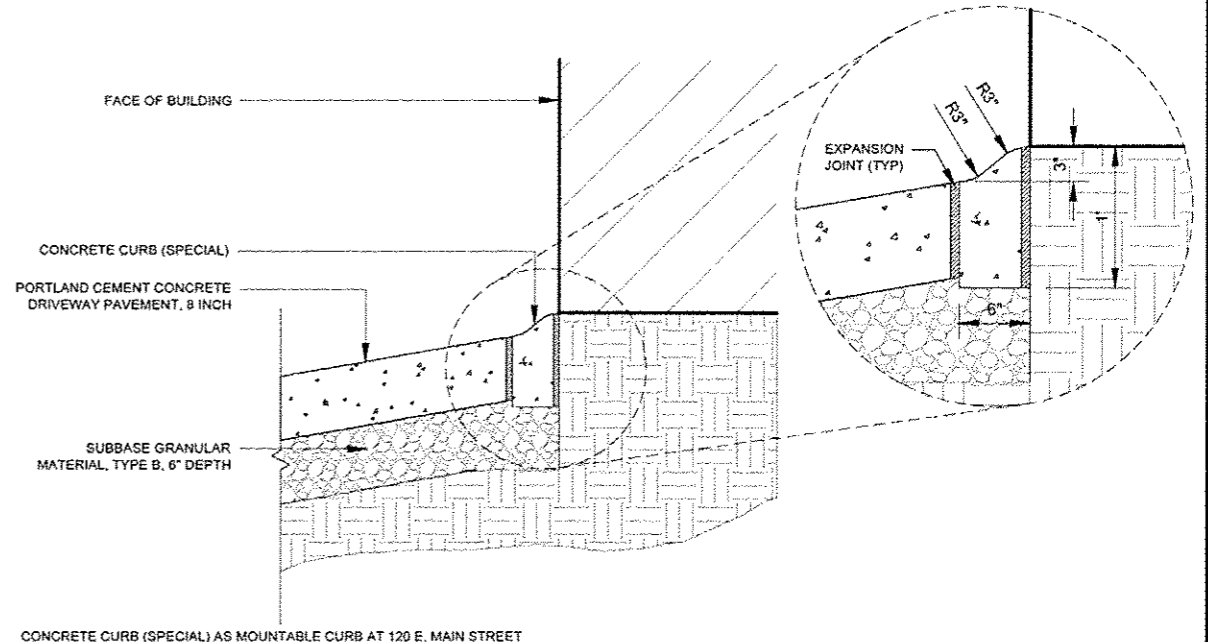
2 COMBINATION CONCRETE CURB AND GUTTER, TYPE M (MODIFIED)
SCALE: NTS



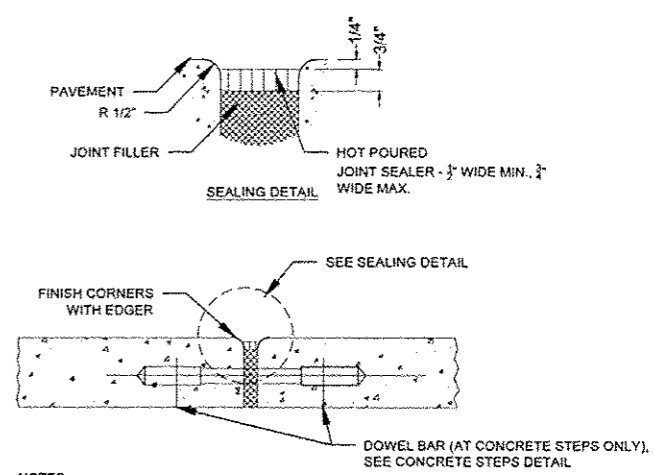
3 CONCRETE CURB (SPECIAL)
SCALE: 1" = 1'-0"



4 DETECTABLE WARNING SURFACE - GROOVES
SCALE: NTS



5 BITUMINOUS PREFORMED JOINT FILLER
SCALE: NTS



- NOTES:**
- PROVIDE BITUMINOUS PREFORMED JOINT FILLER EVERY 40' MAX., AND AT LOCATIONS SHOWN ON PLANS.
 - FOR USE AT PORTLAND CEMENT CONCRETE SIDEWALK 5 INCH.

FILE NAME	DESIGNED WS	REVISED -	<p>225 W. 63RD ST., FOURTH FL. CHICAGO, IL 60654 (312)487-0123</p>	<p>CITY OF ELMWOOD</p>	<p>PROJECT SPECIFIC DETAILS ELMWOOD STREETSCAPE</p>	<p>SCALE: VARIES</p>	<p>STA. 10 STA.</p>	<p>ILLINOIS FED. AID PROJECT</p>	
USER NAME	DRAWN TL/BD	REVISED -							
DATE	CHECKED DA	REVISED -							
	DATE 10/29/2012	REVISED -							
						<p>SECTION 10-0002-00-LS</p>		<p>COUNTY PEORIA</p>	
						<p>TOTAL SHEETS 34</p>		<p>SHEET NO. 31</p>	
						<p>CONTRACT NO. 89604</p>			