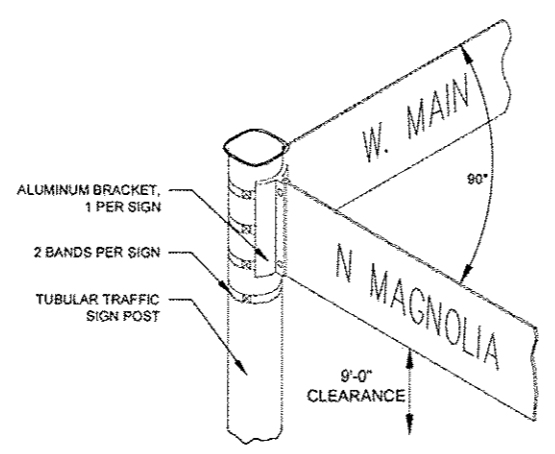
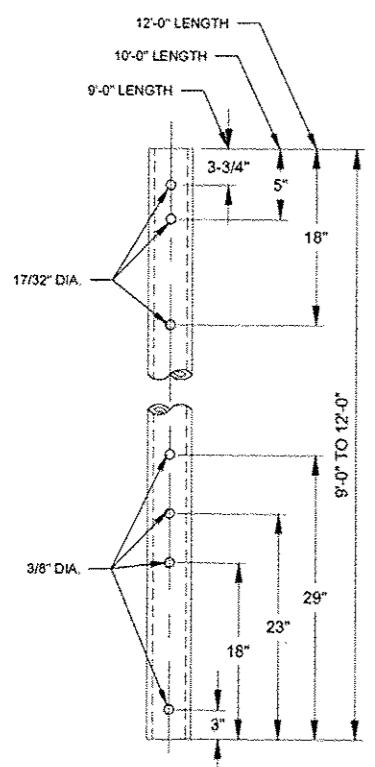


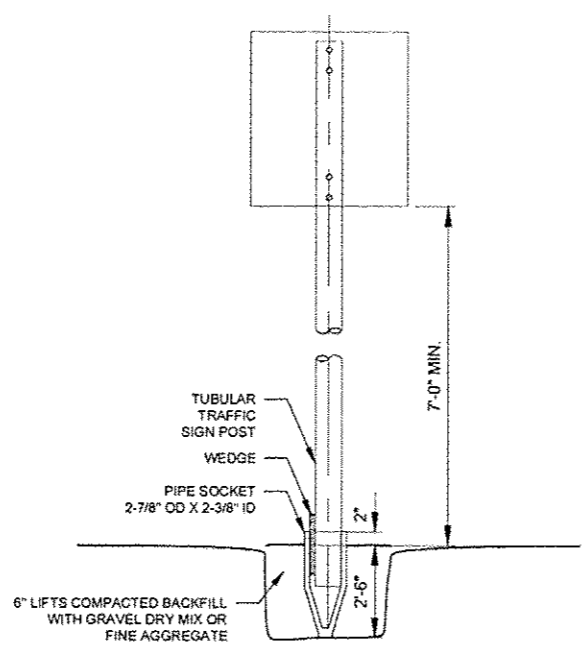
2-3/8" O.D. PIPE
SIGN ASSEMBLY



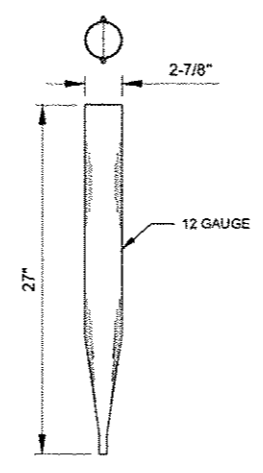
D3-1 SIGN ASSEMBLY



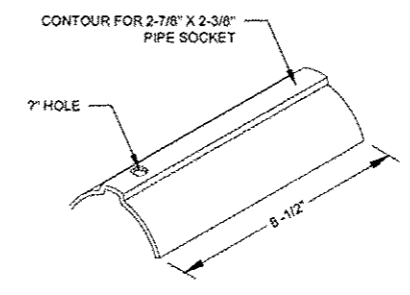
TUBULAR TRAFFIC SIGN POST
2-3/8" X .080 WALL



DIG PIPE



PIPE SOCKET



WEDGE

1 SIGN INSTALLATION DETAILS
NTS

FILE NAME	DESIGNED WS	REVISED -
USER NAME	DRAWN TL/BD	REVISED -
PLOT DATE	CHECKED DA	REVISED -
	DATE 10/29/2012	REVISED -

TERRA
ENGINEERING LTD.
220 W. 9310 ST., FOURTH FL.
CHICAGO, IL 60654
(912)467-0123

CITY OF ELMWOOD

PROJECT SPECIFIC DETAILS
ELMWOOD STREETSCAPE

SCALE: VARIES STA. TO STA.

F.A. RTE.	SECTION	COUNTY	TOTAL SHEETS	SHEET NO.
	10-00002-00-LS	PEORIA	34	34
CONTRACT NO. 89604			ILLINOIS FED. AID PROJECT	