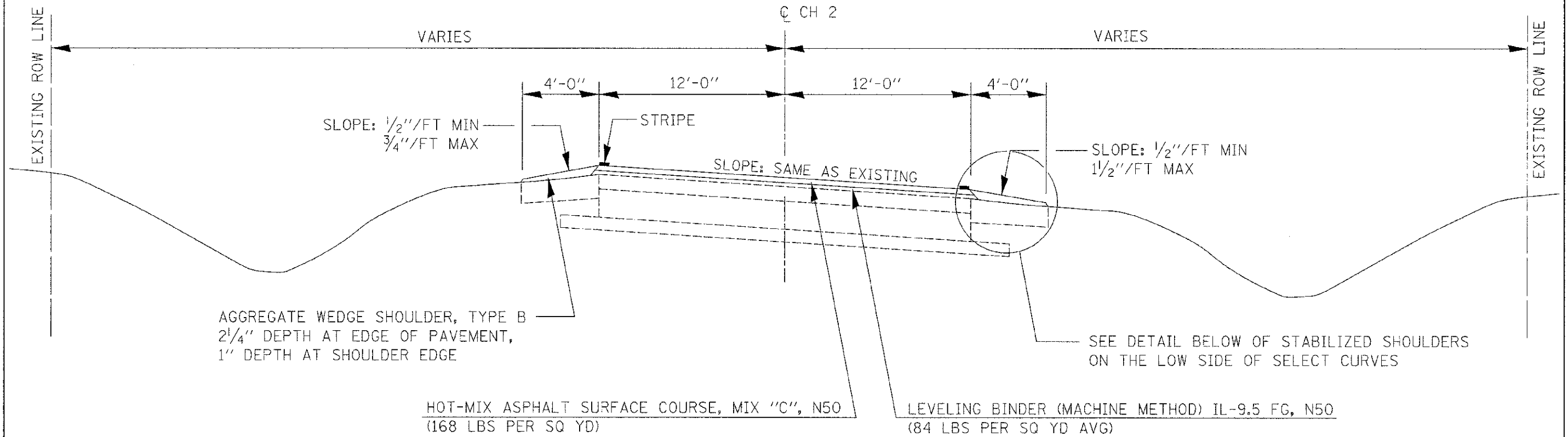


# PROPOSED TYPICAL CROSS SECTIONS

ROUTE	SECTION	COUNTY	TOTAL SHEETS	SHEET NO.
FAS 684 (CH 2)	10-00103-02-RS	EDGAR	41	8
ILLINOIS FED. AID PROJECT				

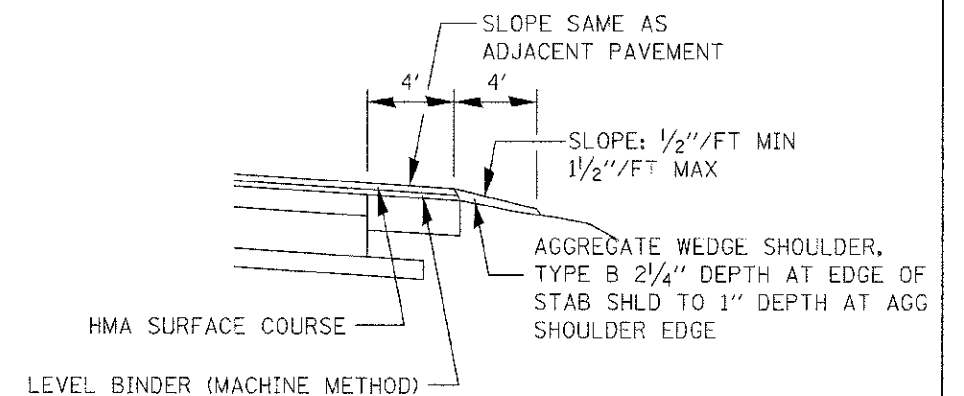
**CONTRACT NO. 91471**



STATION EQUATIONS WITHIN THE LIMITS OF THIS TYPICAL

119+37.54 (BACK)	=	119+35.69 (AHEAD)
134+25.77 (BACK)	=	134+25.45 (AHEAD)
313+73.84 (BACK)	=	313+73.50 (AHEAD)
359+29.61 (BACK)	=	359+30.32 (AHEAD)
368+19.70 (BACK)	=	368+18.77 (AHEAD)
440+05.84 (BACK)	=	440+05.45 (AHEAD)

STATION 117+75.69 TO STATION 119+37.54 (BACK) =  
 STATION 119+35.69 (AHEAD) TO STATION 131+19.86  
 STATION 132+65.46 TO STATION 134+25.77 (BACK) =  
 STATION 134+25.45 (AHEAD) TO STATION 155+04.37  
 STATION 312+33.50 TO STATION 313+73.84 (BACK) =  
 STATION 313+73.50 (AHEAD) TO STATION 329+08.31  
 STATION 358+00.32 TO STATION 359+26.61 (BACK) =  
 STATION 359+30.32 (AHEAD) TO STATION 365+95.32  
 STATION 366+88.37 TO STATION 368+19.70 (BACK) =  
 STATION 368+18.77 (AHEAD) TO STATION 374+67.44  
 STATION 438+65.45 TO STATION 440+05.84 (BACK) =  
 STATION 440+05.45 (AHEAD) TO STATION 444+00.59 (END SECTION)



STABILIZED SHOULDERS ON LOW SIDE OF CURVES  
 LT STATION 118+65 TO LT STATION 131+85  
 RT STATION 132+15 TO RT STATION 153+97



**EDGAR COUNTY  
HIGHWAY DEPARTMENT**