

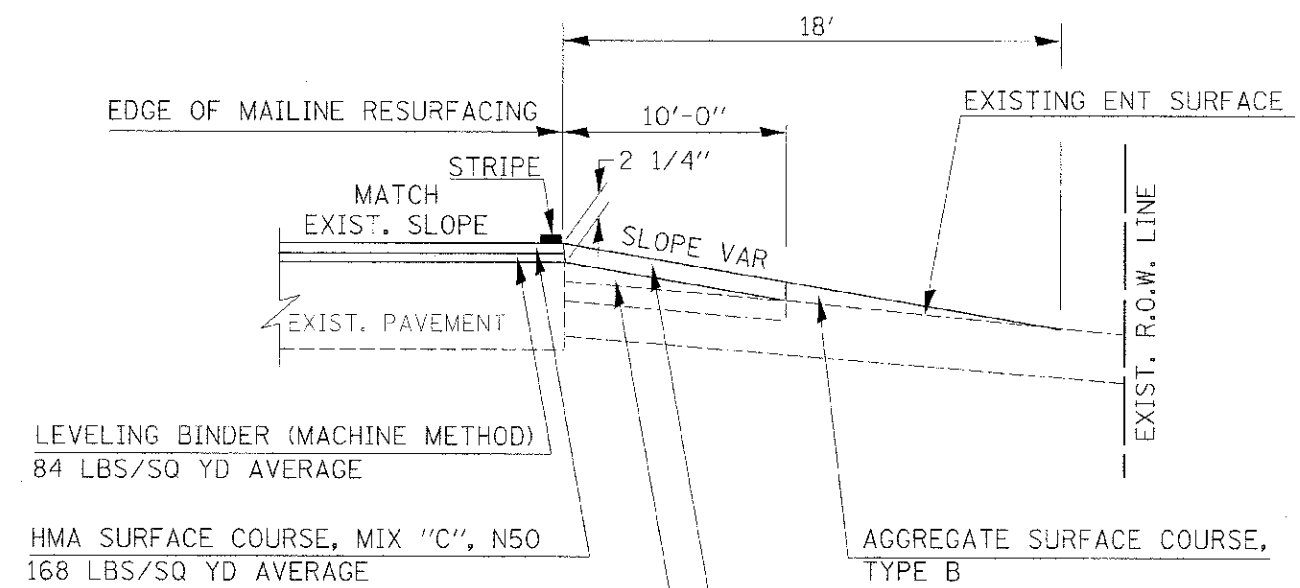
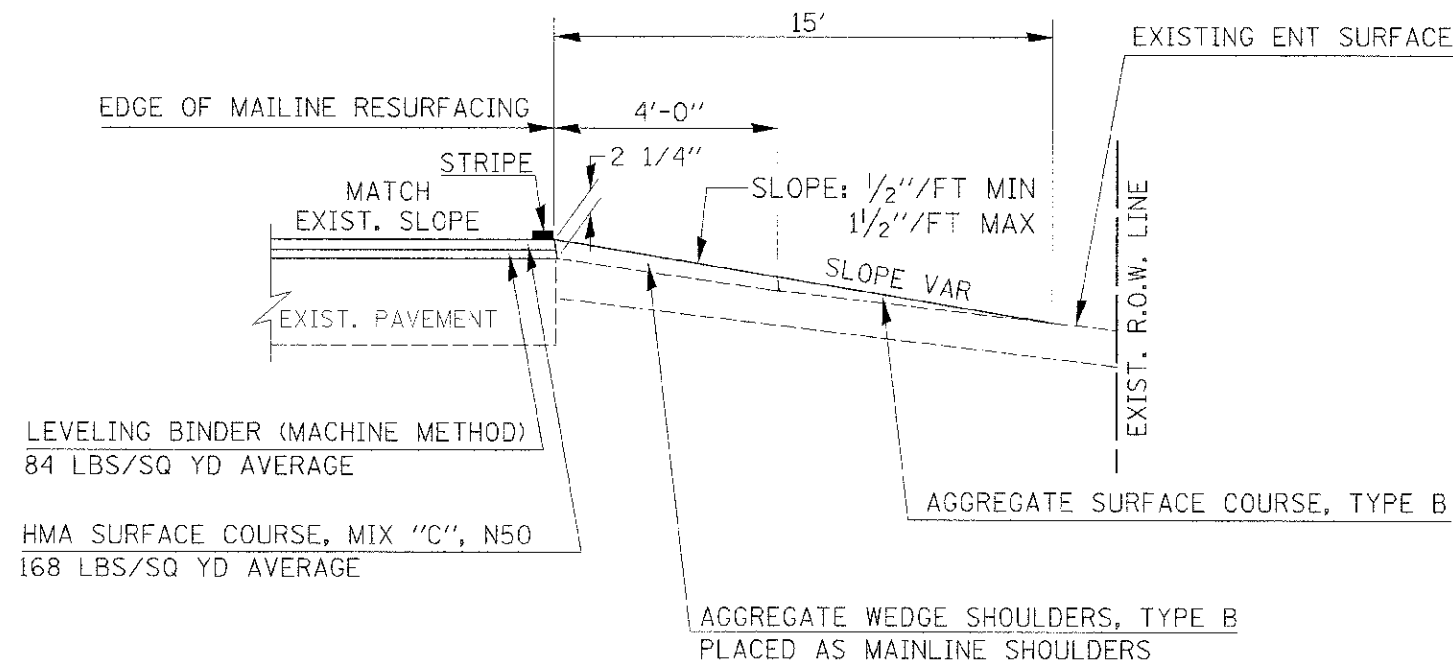
ENTRANCE DETAILS

ROUTE	SECTION	COUNTY	TOTAL SHEETS	SHEET NO.
FAS 684 (CH 2)	10-00103-02-RS	EDGAR	41	39
ILLINOIS FED. AID PROJECT				

CONTRACT NO. 91471

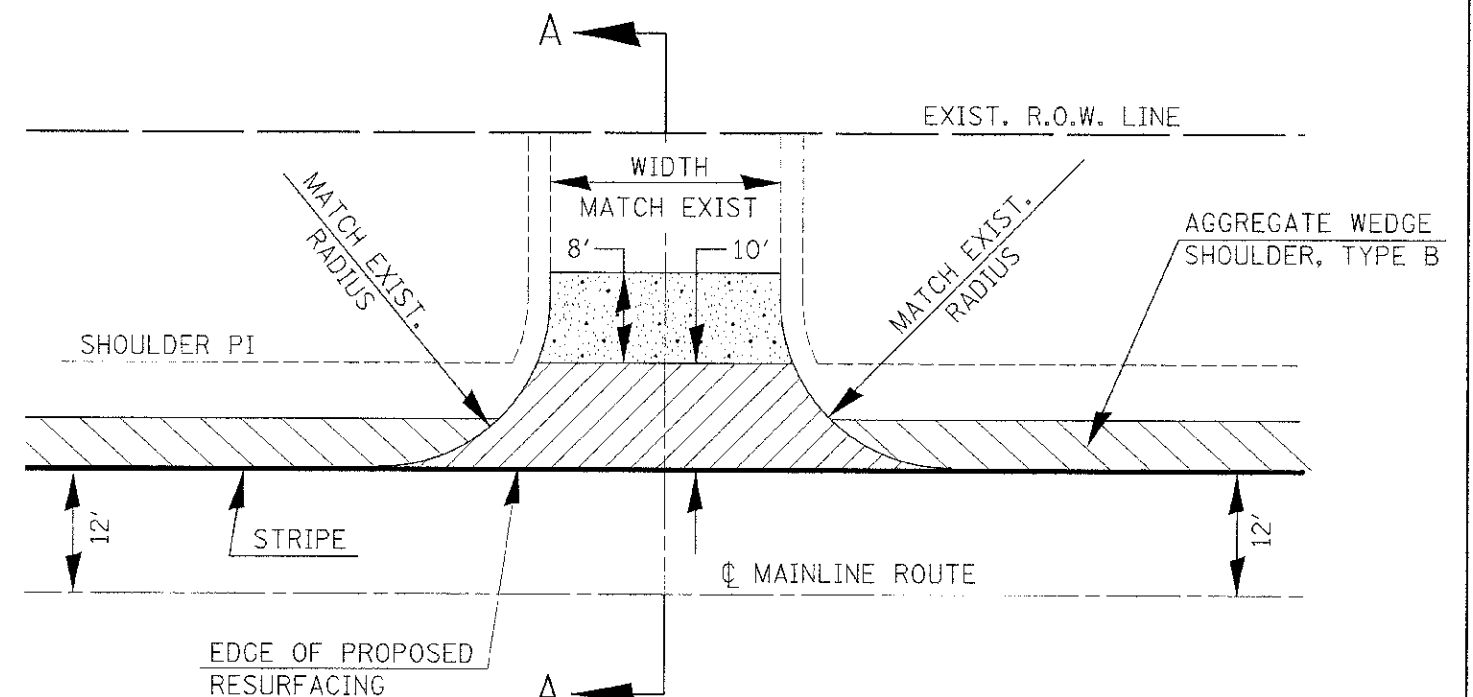
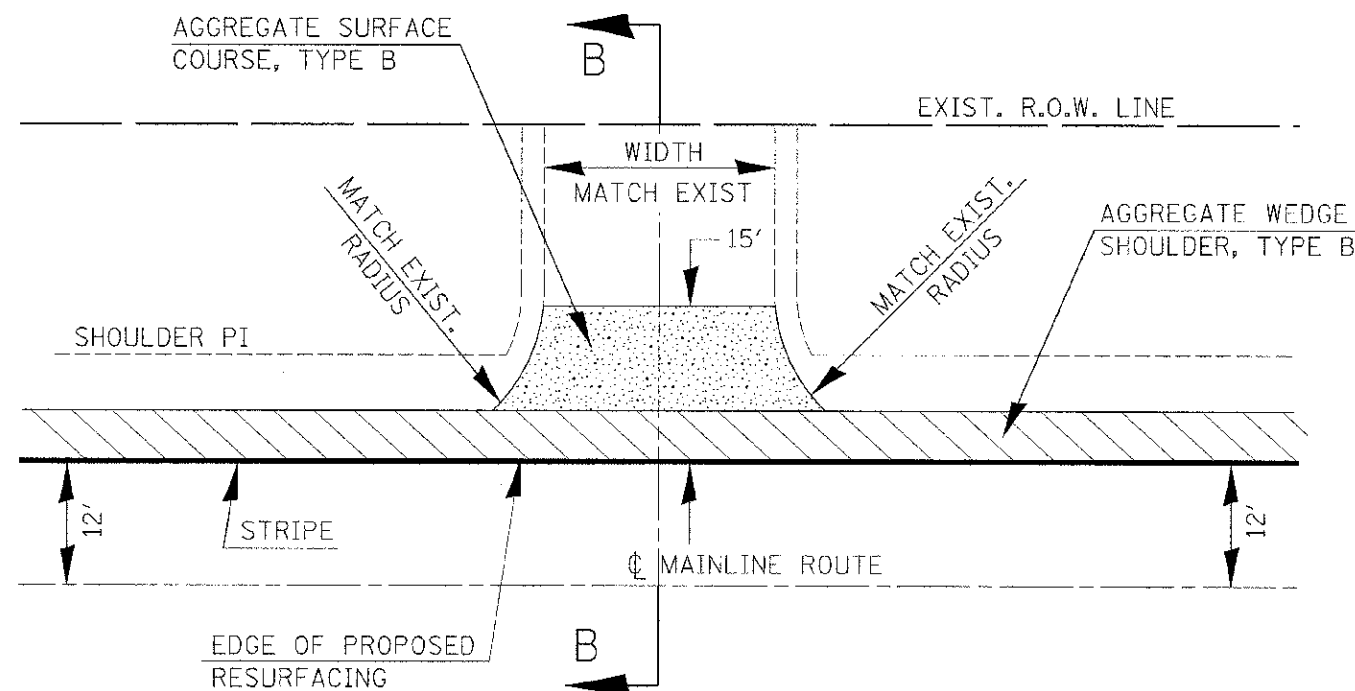
FIELD ENTRANCE DETAIL

COMMERCIAL & PRIVATE ENTRANCE RESURFACING DETAIL

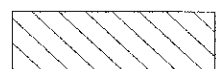


SECTION B-B

SECTION A-A



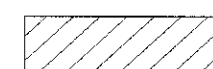
**EDGAR COUNTY
HIGHWAY DEPARTMENT**



AGGREGATE WEDGE SHOULDER, TYPE B



AGGREGATE SURFACE COURSE, TYPE B



INCIDENTAL HOT-MIX ASPHALT SURFACING