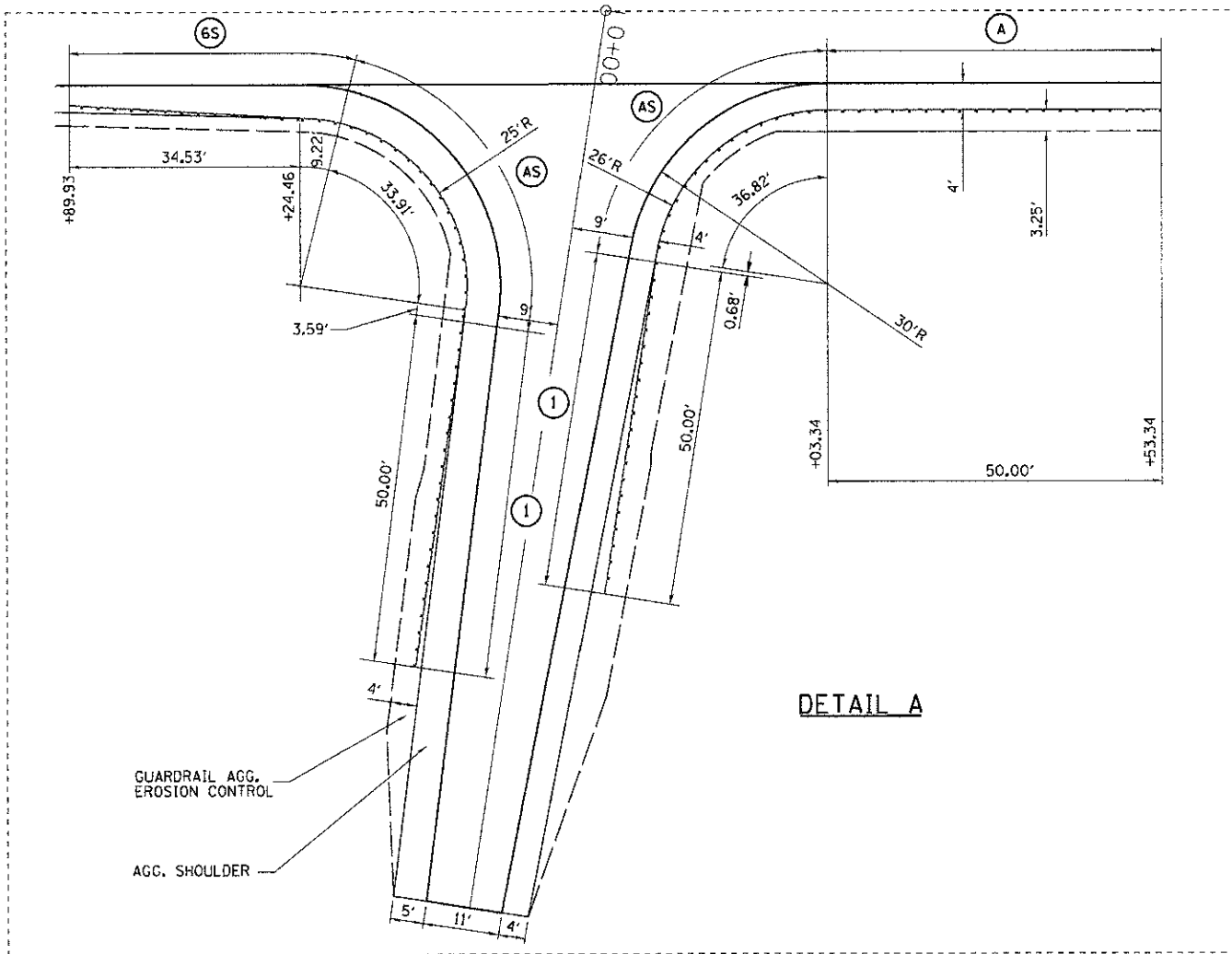


GUARDRAIL AND SHOULDER PLAN

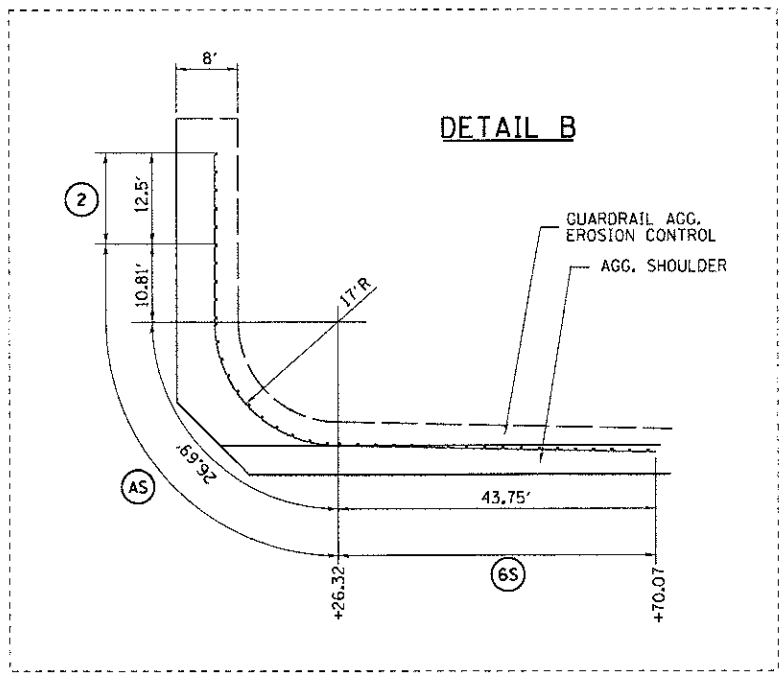
LEGEND

- (A) STEEL PLATE BEAM GUARDRAIL TYPE A, 6' POST
- (6S) TRAFFIC BARRIER TERMINAL TYPE 6A (SPECIAL)
- (AS) STEEL PLATE BEAM GUARDRAIL TYPE A (SPECIAL)
- (SM) STEEL RAILING TYPE SM
- (1) TRAFFIC BARRIER TERMINAL TYPE 1 SPECIAL (TANGENT)
- (2) TRAFFIC BARRIER TERMINAL TYPE 2

NOTES:
 SEE STANDARD 630301 FOR DETAILS OF SHOULDER WIDENING AT TYPE 1 TERMINALS.
 TRAFFIC BARRIER TERMINAL TYPE 6A (SPECIAL) SHALL CONFORM TO SECTION 631 OF THE STANDARD SPECIFICATIONS AND STANDARD 631032 EXCEPT THAT THE RAIL ELEMENTS SHALL BE FABRICATED TO THE 1:43.75' TAPER SHOWN ON THE PLANS AND 25' RADIUS SHOWN IN DETAIL A. THIS WORK WILL BE PAID FOR AT THE CONTRACT UNIT PRICE EACH FOR TRAFFIC BARRIER TERMINAL TYPE 6A (SPECIAL).
 STEEL PLATE BEAM GUARD RAIL TYPE A (SPECIAL) SHALL CONFORM TO SECTION 630 OF THE STANDARD SPECIFICATIONS AND STANDARD 630001 EXCEPT THAT THE RAIL ELEMENTS SHALL BE FABRICATED TO THE RADII SHOWN IN DETAILS A & B. THIS WORK WILL BE PAID FOR AT THE CONTRACT UNIT PRICE PER FOOT FOR THE STEEL PLATE BEAM GUARD RAIL TYPE A (SPECIAL).



DETAIL A



DETAIL B