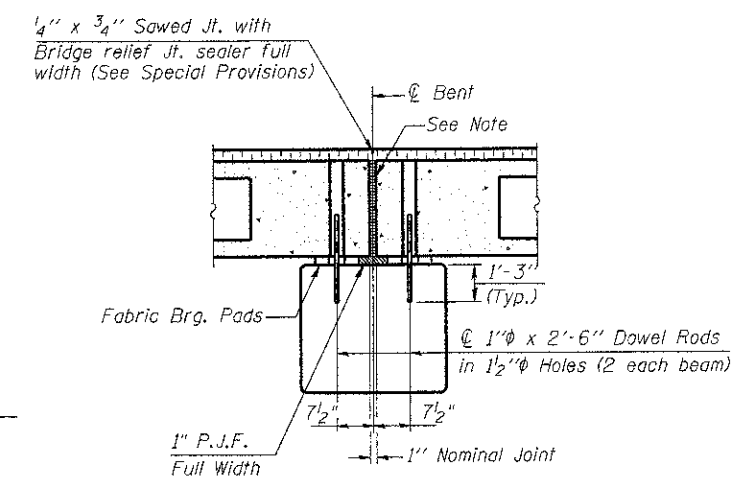


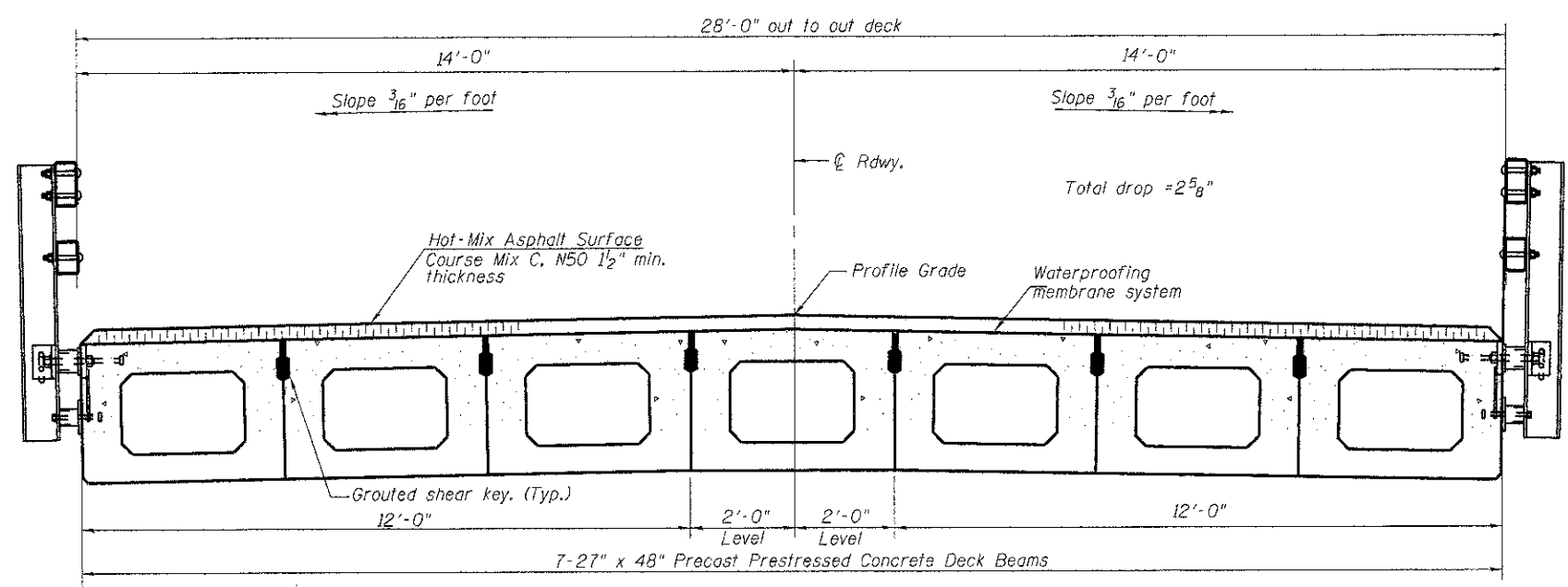
PLAN



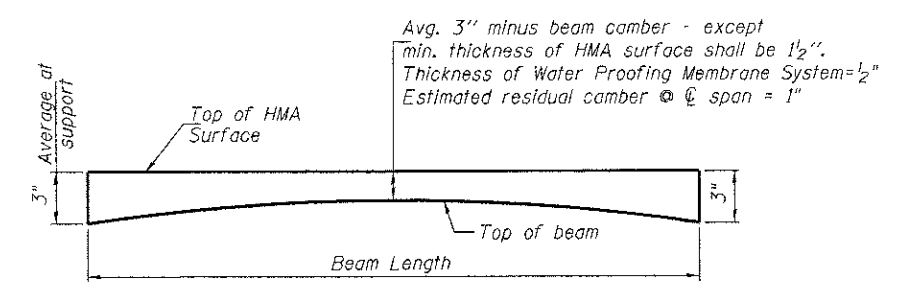
SECTION D-D

(Dimensions are at Rt. L's)

\*1" Jt. shall be filled with non-shrink grout. 1" dimension may vary to accommodate tolerance in beam lengths.



CROSS SECTION



ANTICIPATED HMA WEARING SURFACE PROFILE

(For information only)

BILL OF MATERIAL

ITEM	UNIT	QUANTITY
Hot-Mix Asphalt Surface Course, Mix C, N50	Tons	19.5

Notes:  
See sheet 7 of 14 for Deck Beam Details, Fabric Bearing Pads and Bill of Material.  
After beams have been erected, holes shall be drilled into substructure and anchor dowels placed. Dowel holes shall be filled with non-shrink grout to top of beam and allowed to cure min. 24 hrs. prior to grouting the shear keys.  
Cost included in "PPC Deck Beams (27" depth)."

PDS-HMA-M-R34-L 7-1-10

USER NAME :	DESIGNED - KRG	REVISED
PLOT SCALE = NONE	CHECKED - MJK	REVISED
PLOT DATE =	DRAWN - GSJ	REVISED
	CHECKED - MJK	REVISED

MID-AMERICA ENGINEERING SERVICES  
SPRINGFIELD ILLINOIS

SUPERSTRUCTURE SPAN 2  
STRUCTURE NO 084-3414

SHEET NO. 6 OF 14 SHEETS

F.A.S. RTE.	SECTION	COUNTY	TOTAL SHEETS	SHEET NO.
624	08-00085-00-BR	SANGAMON	32	15
STRUCTURE NO. 084-3414		CONTRACT NO. 93-085		
STA. 122+30		ILLINOIS FED. AID PROJECT		