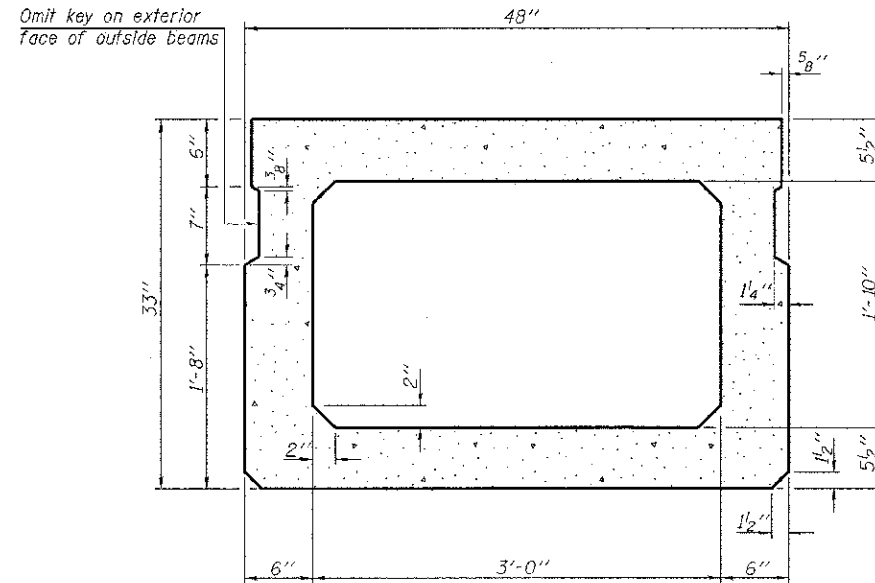
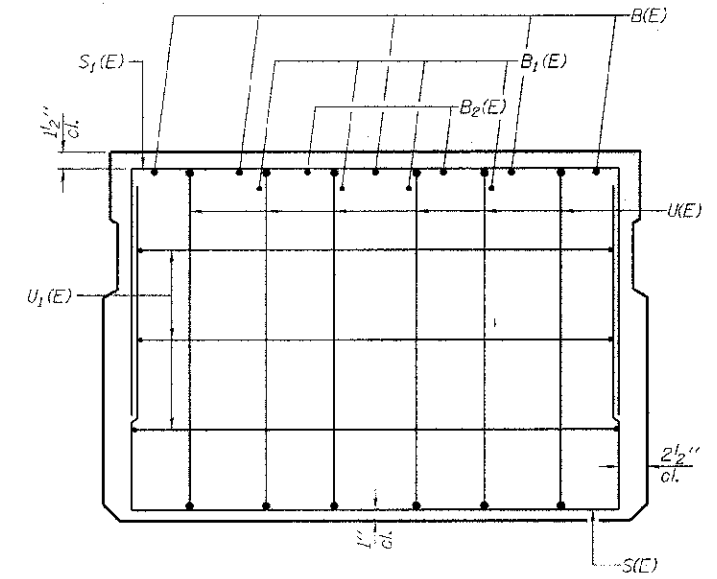


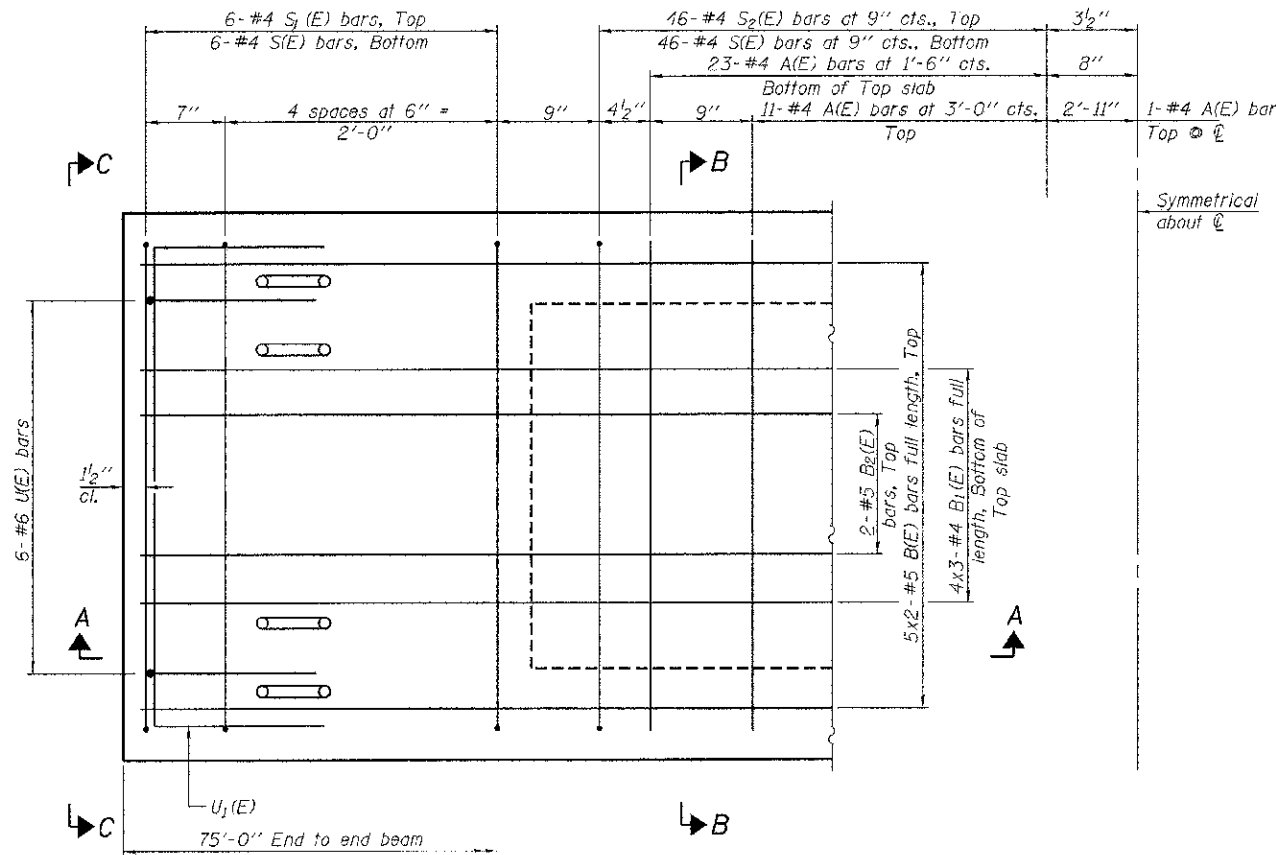
SECTION A-A



SECTION B-B  
(Showing dimensions)



VIEW C-C

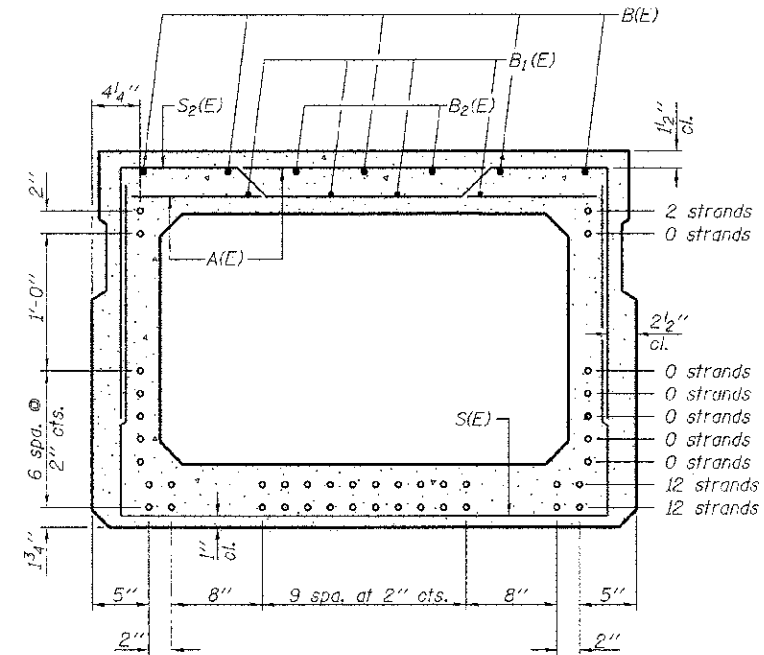


PLAN VIEW

Note: Spacing of S(E) and S2(E) bars may be adjusted up to 4" in the immediate area of the transverse tie diaphragms to miss the block outs for the transverse ties.

Bars indicated thus 5x2-#5 etc. indicates 5 lines of bars with 2 lengths per line.

**MINIMUM BAR LAP**  
#4 bar = 2'-0"  
#5 bar = 2'-6"



SECTION B-B

(Showing reinforcement and permissible strand locations)  
Note: Place the number of strands specified in each row symmetrically about the centerline of beam in the permissible strand locations shown.

**BAR LIST**  
**ONE BEAM ONLY**  
(For information only)

Bar	No.	Size	Length	Shape
A(E)	69	#4	3'-7"	—
B(E)	10	#5	38'-5"	—
B1(E)	12	#4	26'-3"	—
B2(E)	4	#5	38'-5"	—
S(E)	104	#4	8'-5"	U
S1(E)	12	#4	7'-3"	U
S2(E)	92	#4	7'-6"	U
U1(E)	12	#6	5'-0"	U
U2(E)	6	#4	6'-0"	U

Note: See sheets 3 & 4 of 9 for additional details and Bill of Material.

PD-3348-0

7-1-10

FILE NAME = 009248-whr-br.dgn	USER NAME =	DESIGNED - A.S.L.	REVISED -
HAMPTON, LENZINI AND RENWICK, INC.		CHECKED - S.W.M.	REVISED -
3003 STEVENSON DRIVE, SUITE 214 SPRINGFIELD, ILL. 62761-2000	PLOT SCALE =	DRAWN - D.A.B.	REVISED -
ILLINOIS PROFESSIONAL DESIGN FIRM EST. 1962 / SE. ECHP 194-00959	PLOT DATE = 12/27/2012	CHECKED - S.W.M.	REVISED -

STATE OF ILLINOIS  
WAYNE COUNTY HIGHWAY DEPARTMENT

33" x 48" PPC DECK BEAM  
STRUCTURE NO. 096-3448

SHEET NO. 2 OF 9 SHEETS

T.R.	SECTION	COUNTY	TOTAL SHEETS	SHEET NO.
167A	08-18110-CO-BR	WAYNE	12	5
ORCHARD ROAD DISTRICT			CONTRACT NO. 95588	
[ILLINOIS] FED. AID PROJECT				