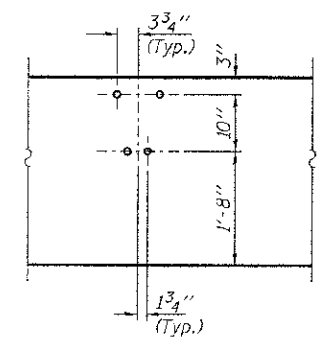
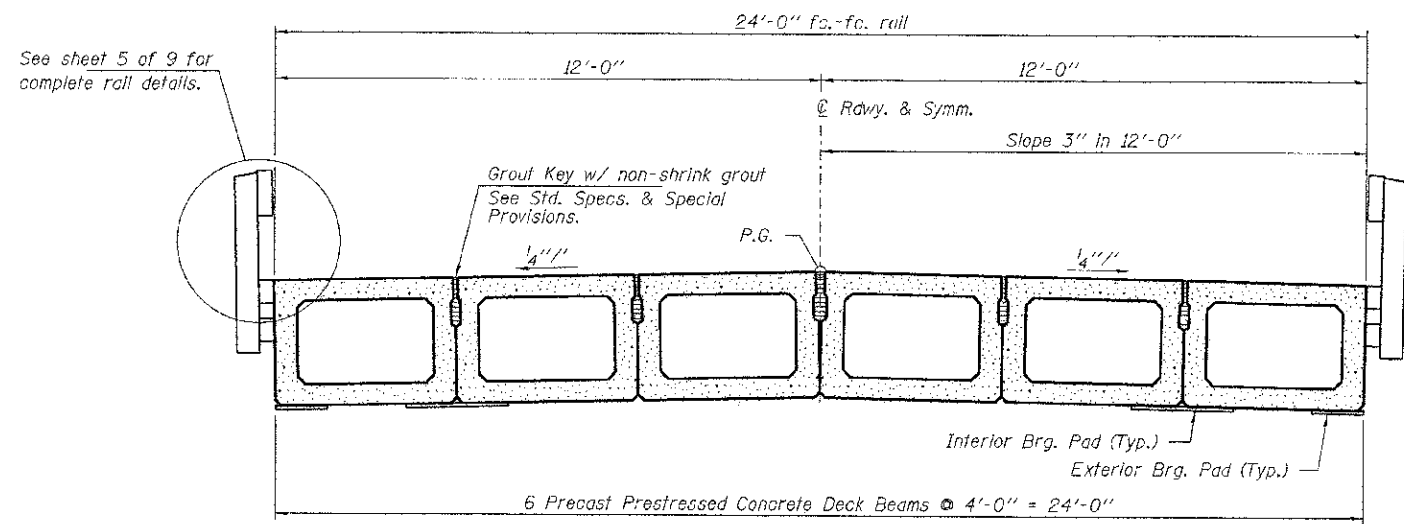


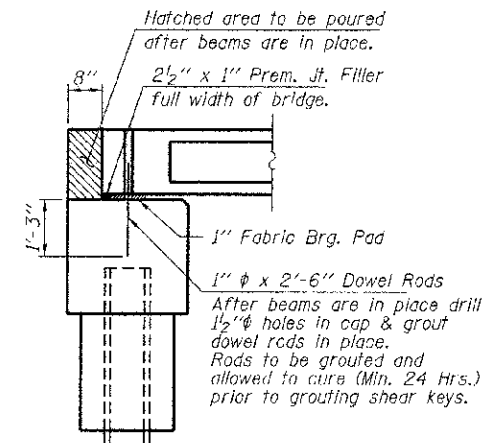
ELEVATION
Showing Rail Post Spacing
See sheet 5 of 9 for Railing Details.



DETAIL A



CROSS SECTION
See sheets 2 & 3 of 9 for Superstructure.



SECTION AT ABUTMENTS
© Pt. L's

FILE NAME = 090240-sh+bridgedgn	USER NAME =	DESIGNED - A.S.L.	REVISED -	STATE OF ILLINOIS WAYNE COUNTY HIGHWAY DEPARTMENT	SUPERSTRUCTURE DETAILS STRUCTURE NO. 096-3448	I.R.	SECTION	COUNTY	TOTAL SHEETS	SHEET NO.	
HAMPTON, LENZINI AND RENWICK, INC. 3305 STATE STREET, SUITE 101 SPRINGFIELD, ILLINOIS 62762	PLOT SCALE =	CHECKED - S.W.M.	REVISED -			167A	08-18110-00-BR	WAYNE	12	7	
HLR ILLINOIS PROFESSIONAL DESIGN FIRM L8 / P.E. / S.E. CORP. 184 003086	PLOT DATE = 10/25/2012	DRAWN - D.A.B.	REVISED -			ORCHARD ROAD DISTRICT		CONTRACT NO. 95588		ILLINOIS FED. AID PROJECT	
		CHECKED - S.W.M.	REVISED -			SHEET NO. 4 OF 9 SHEETS					