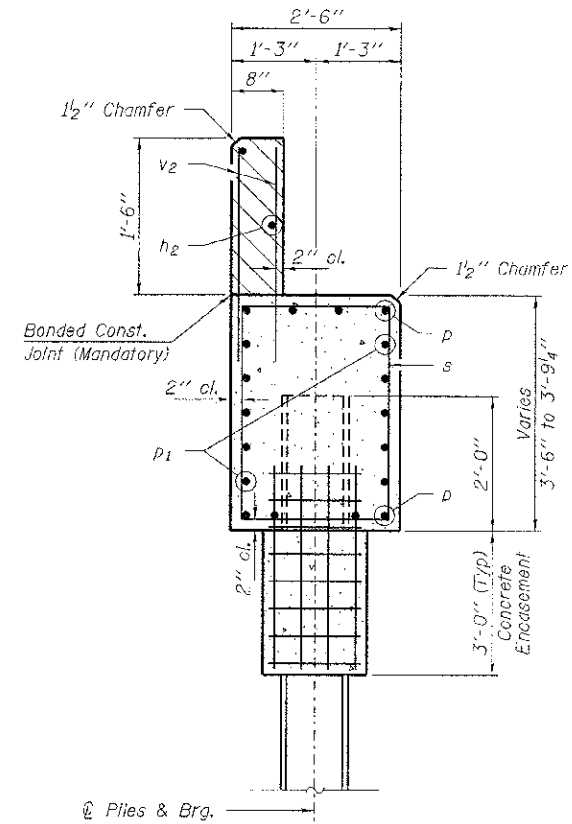
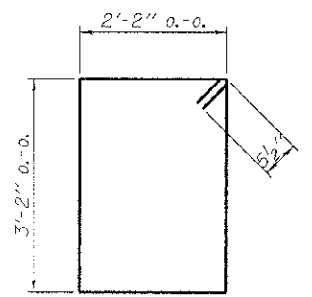


PLAN

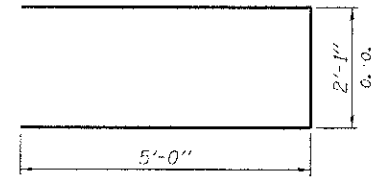


SECTION A-A

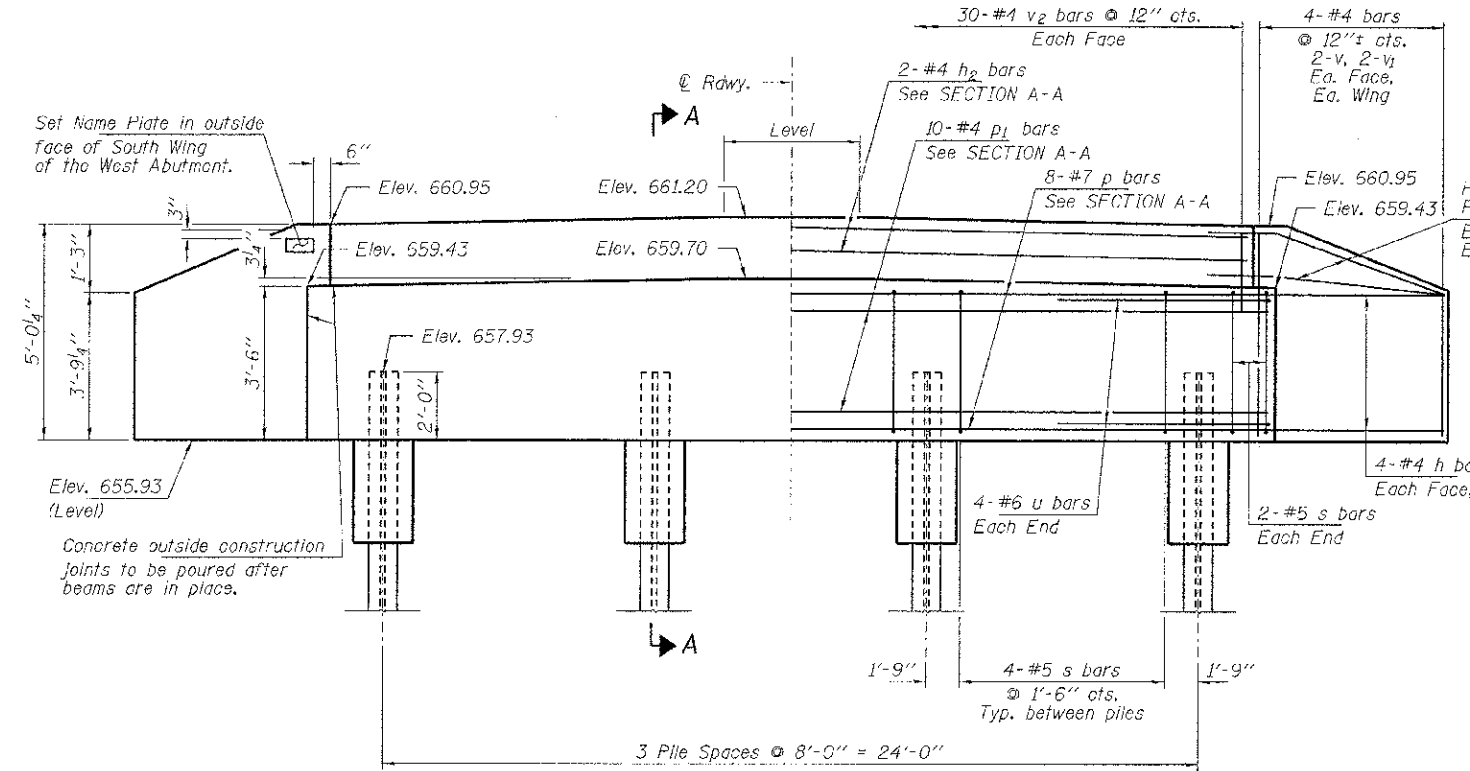
Hatched area to be poured after beams are in place.



BAR s



BAR u



ELEVATION

PILE DATA

Type Steel HP10x42
 No. Req'd. (2 Abuts.) *8
 Factored Resistance Available (Rf) 110 Kips/Pile
 Nominal Required Bearing (Rn) 200 Kips/Pile
 Est. Length 30 Ft./Pile

Notes: * Includes one test pile to be driven in permanent a location at the West Abutment.

The test piles shall be driven to 110 percent of the Nominal Required Bearing Indicated in the pile data information.

BILL OF MATERIAL - 2 ABUTS.

BAR	NO.	SIZE	LENGTH	SHAPE	
h	40	#4	4'-9"	—	
h1	8	#4	3'-3"	—	
h2	4	#4	29'-2"	—	
p	16	#7	29'-2"	—	
p1	20	#4	29'-2"	—	
s	32	#5	11'-7"	□	
u	16	#6	12'-1"	—	
v	16	#4	4'-6"	—	
v1	16	#4	3'-6"	—	
v2	120	#4	2'-4"	—	
Concrete Structures				Cu. Yd.	24.0
Concrete Encasement				Cu. Yd.	2.8
Reinforcement Bars				Pound	2,520
Steel Piles HP10x42				Foot	210
Test Pile Steel HP10x42				Each	1
Name Plates				Each	1