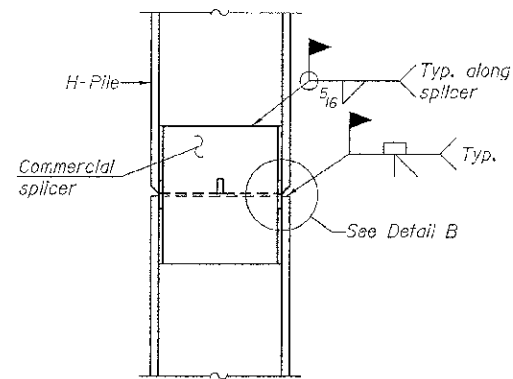
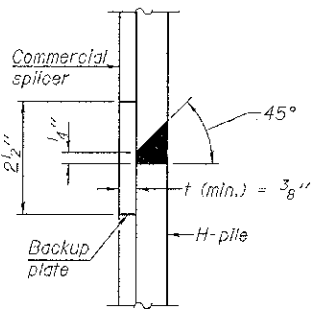


STEEL PILE TABLE

Designation	Depth <i>d</i>	Flange width <i>br</i>	Web and Flange thickness <i>t</i>	Encasement diameter <i>A</i>
HP 14x117	14 1/4"	14 7/8"	13/16"	30"
x102	14"	14 3/4"	1/16"	30"
x89	13 7/8"	14 3/4"	5/8"	30"
x73	13 5/8"	14 5/8"	1/2"	30"
HP 12x84	12 1/4"	12 1/4"	1/16"	24"
x74	12 1/8"	12 1/4"	5/8"	24"
x63	12"	12 1/8"	1/2"	24"
x53	11 3/4"	12"	7/16"	24"
HP 10x57	10"	10 1/4"	9/16"	24"
x42	9 3/4"	10 1/8"	7/16"	24"
HP 8x36	8"	8 1/2"	7/16"	18"

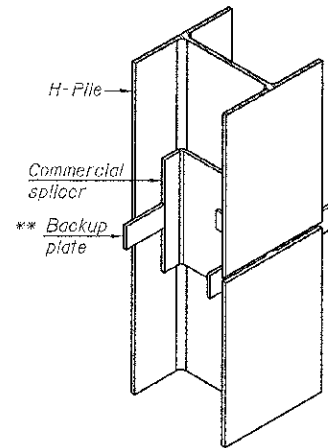


ELEVATION

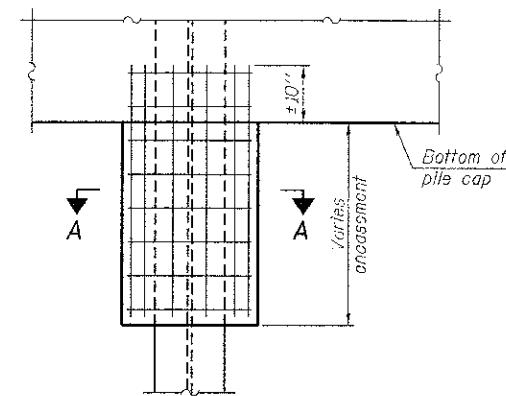


DETAIL "B"

WELDED COMMERCIAL SPLICE

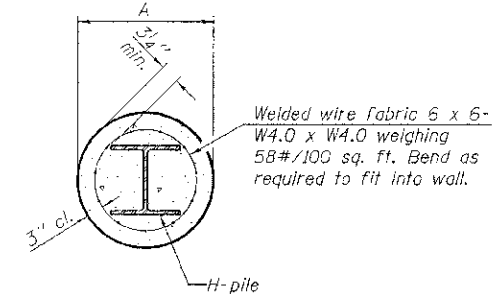


ISOMETRIC VIEW



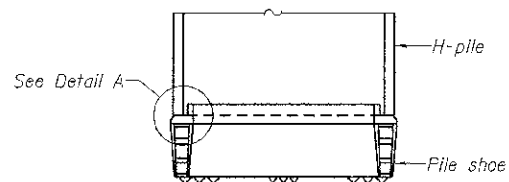
ELEVATION

PILE ENCASEMENT



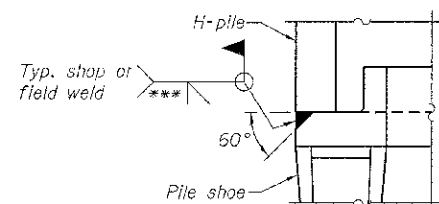
SECTION A-A

Note:
Forms for encasement may be omitted when soil conditions permit.

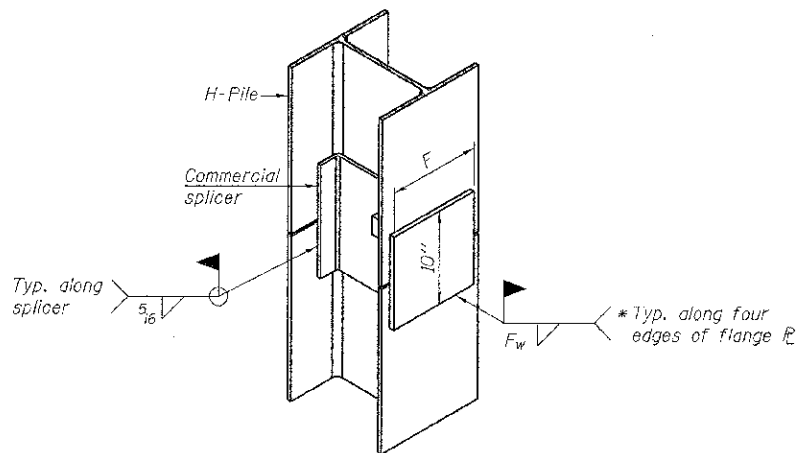


ELEVATION

H-PILE SHOE ATTACHMENT



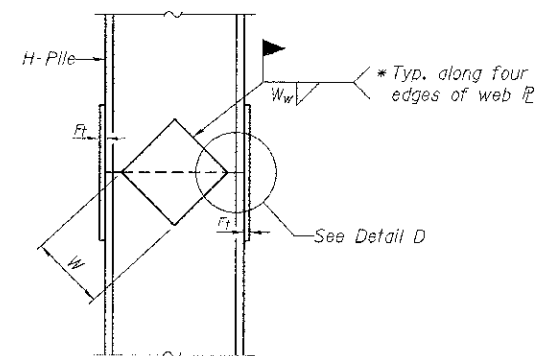
DETAIL A



ISOMETRIC VIEW

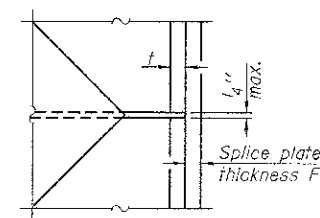
WELDED COMMERCIAL SPLICE ALTERNATE

- * Interrupt welds 1/4" from end of web and/or each flange.
- ** Remove portions of backup plates that extend outside the flanges.
- *** Weld size per pile shoe manufacturer (3/16" min.).



ELEVATION

WELDED PLATE FIELD SPLICE



DETAIL D

Designation	F	F _t	F _w	W	W _t	W _w
HP 14x117	12 1/2"	1"	7/8"	7 3/4"	5 1/2"	1/2"
x102	12 1/2"	7/8"	3/4"	7 3/4"	5 1/2"	1/2"
x89	12 1/2"	3/4"	1/16"	7 3/4"	5 1/2"	1/2"
x73	12 1/2"	5/8"	3/8"	7 3/4"	5 1/2"	1/2"
HP 12x84	10"	7/8"	1/16"	6 1/2"	5 1/2"	1/2"
x74	10"	7/8"	1/16"	6 1/2"	5 1/2"	1/2"
x63	10"	5/8"	1/2"	6 1/2"	1/2"	3/8"
x53	10"	5/8"	1/2"	6 1/2"	1/2"	3/8"
HP 10x57	8"	3/4"	9/16"	5 1/4"	1/2"	3/8"
x42	8"	5/8"	9/16"	5 1/4"	1/2"	3/8"
HP 8x36	7"	5/8"	7/16"	4 1/4"	1/2"	3/8"

Note:
The steel H-piles shall be according to AASHTO M270 Grade 50.

F-HP

1-27-12

FILE NAME = 090171-sh-c-b-edge.dgn	USER NAME =
HAMPTON, LENZINI AND RENWICK, INC. 2005 FREDERICKSBURG DRIVE SUITE 300 SPRINGFIELD, ILLINOIS 62733 ILLINOIS PROFESSIONAL DESIGNER # 181-000039	PLOT SCALE =
	PLOT DATE = 10/30/2012

DESIGNED - A.S.L.	REVISED -
CHECKED - S.W.M.	REVISED -
DRAWN - D.A.B.	REVISED -
CHECKED - S.W.M.	REVISED -

STATE OF ILLINOIS
MOULTRIE COUNTY HIGHWAY DEPARTMENT

HP PILE DETAILS
STRUCTURE NO. 070-4443

SHEET NO. 8 OF 10 SHEETS

T.R.	SECTION	COUNTY	TOTAL SHEETS	SHEET NO.
19	09-04131-00-BR	MOULTRIE	25	23
LOVINGTON ROAD DISTRICT			CONTRACT NO. 95697	
ILLINOIS FED. AID PROJECT				