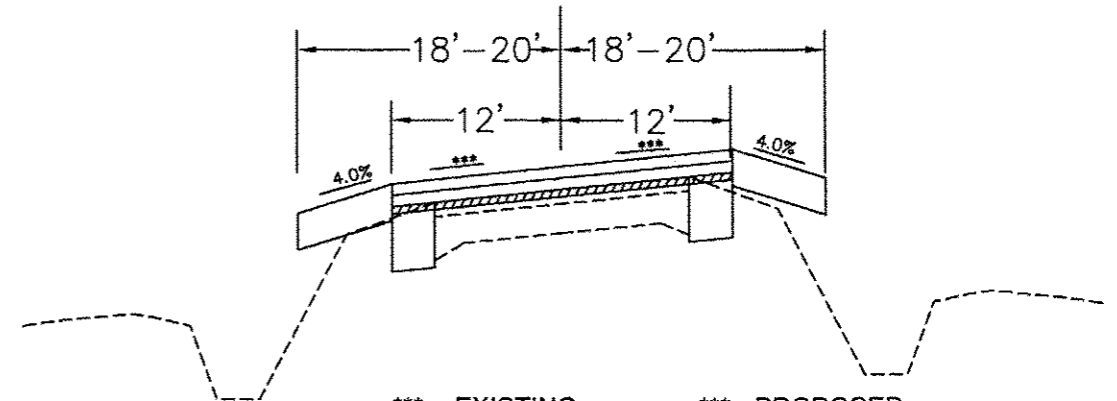
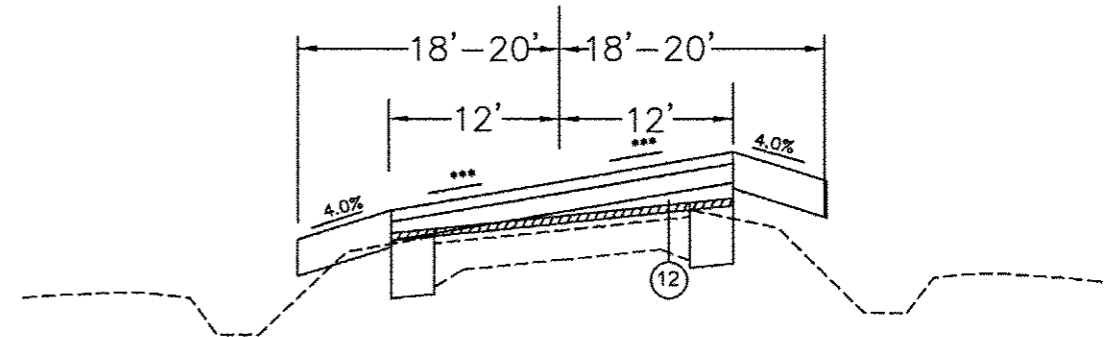


PROPOSED TYPICAL SECTIONS

SUPERELEVATION CROSS SLOPE DETAIL



*** - EXISTING *** - PROPOSED
 STA. 10+22.46 TO STA. 19+02.32 NORMAL CROWN NORMAL CROWN
 STA. 113+15.64 TO STA. 122+57.03 NORMAL CROWN NORMAL CROWN
 STA. 130+57.73 TO STA. 137+20.88 3% 3%
 TRANSITION STA. 130+19 TO STA. 130+99 & STA. 136+81 TO STA. 137+61
 STA. 152+78.07 TO STA. 156+40.99 4% 4%
 TRANSITION STA. 152+29 TO STA. 153+27



*** - EXISTING *** - PROPOSED
 STA. 37+32.12 TO STA. 51+61.72 4% 5%
 TRANSITION STA. 36+61 TO STA. 38+04 & STA. 50+91 TO STA. 52+34
 STA. 67+74.73 TO STA. 78+03.15 3% 4%
 TRANSITION STA. 67+14 TO STA. 68+35 & STA. 77+42 TO STA. 78+63

LEGEND

- ⑩ PROPOSED HMA SURFACE COURSE, 1.5"
- ⑪ PROPOSED HMA BINDER COURSE, 2.25"
- ⑫ PROPOSED LEVEL BINDER (MACHINE METHOD)
- ⑬ PROPOSED HMA BASE COURSE WIDENING, 11"
- ⑭ PROPOSED HMA SURFACE REMOVAL, 3/4"
- ⑮ PROPOSED HMA SURFACE REMOVAL, 1.5"
- ⑯ PROPOSED STRIP REFLECTIVE CRACK CONTROL
- ⑰ PROPOSED BITUMINOUS MATERIALS (PRIME COAT)
- ⑱ PROPOSED AGGREGATE (PRIME COAT)
- ⑲ PROPOSED HMA SHOULDERS, 8"
- ⑳ PROPOSED HMA SHOULDERS, 1.5"
- ㉑ PROPOSED CONCRETE GUTTER, TYPE B
- ㉒ PROPOSED COMBINATION CONCRETE CURB AND GUTTER, TYPE B-6.24
- ㉓ PROPOSED CONCRETE SIDEWALK, 4"

STATE OF ILLINOIS DEPARTMENT OF TRANSPORTATION				TYPICAL SECTIONS		ROUTE NO. 2735 SECTION 03-00053-01-WR COUNTY MADISON CONTRACT NO. 97509
SCALE:		SHEET NO. 6 OF 6 SHEETS		TOTAL SHEETS 145	SHEET NO. 10	