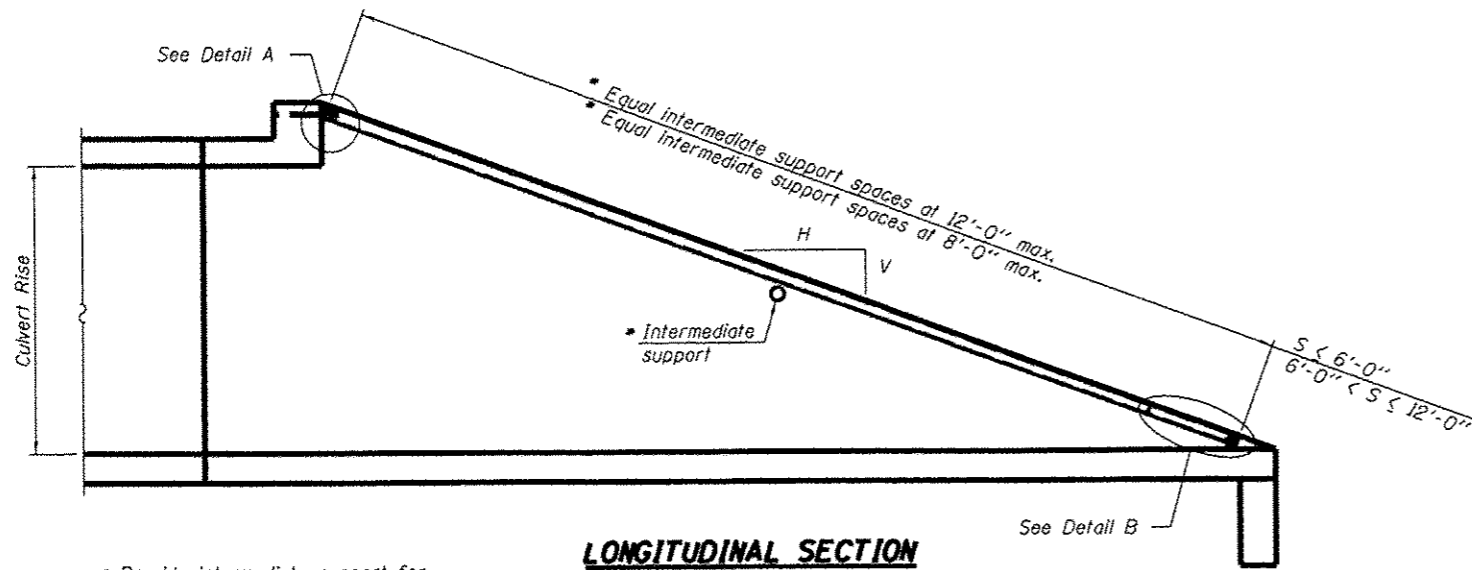


GENERAL NOTES

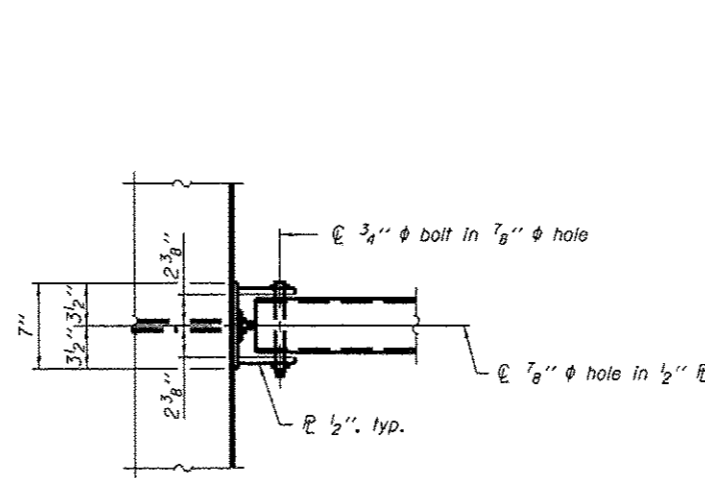
Length and number of steel pipes shall be determined by the Contractor except as shown.
The minimum edge distance from the center of a hole to the free edge of a structural shape or plate shall be 1 1/2" unless noted otherwise.



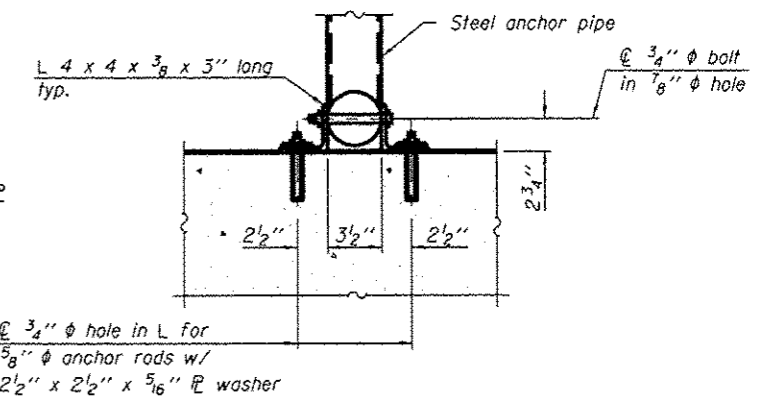
LONGITUDINAL SECTION



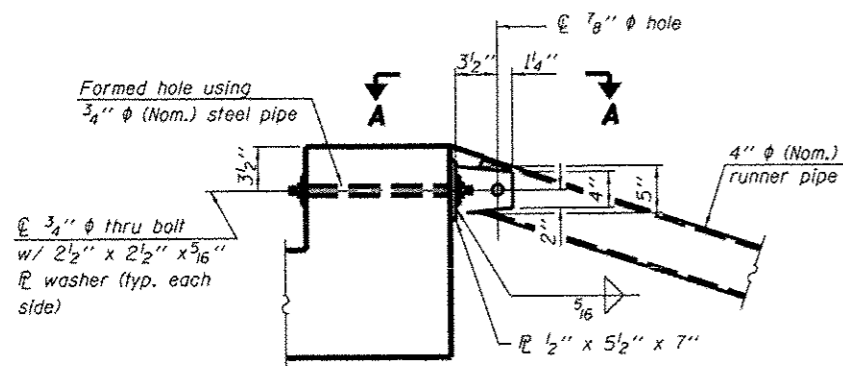
PLAN VIEW



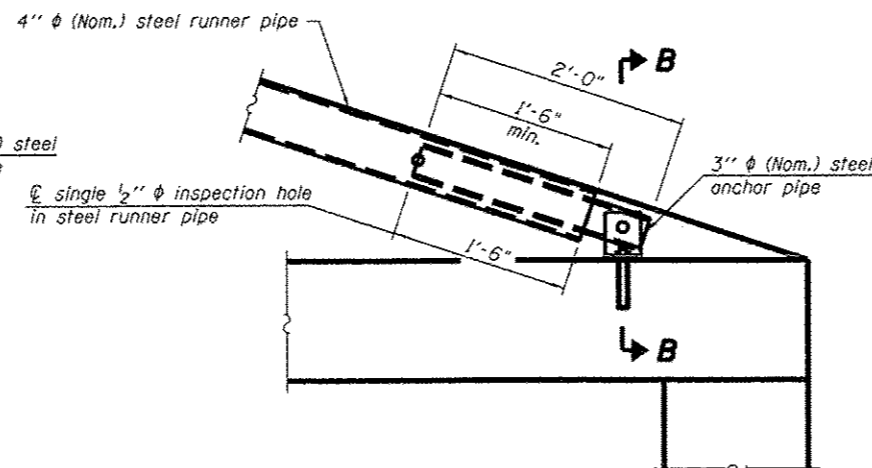
VIEW A-A



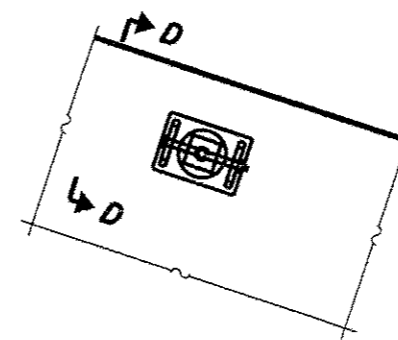
SECTION B-B



DETAIL A

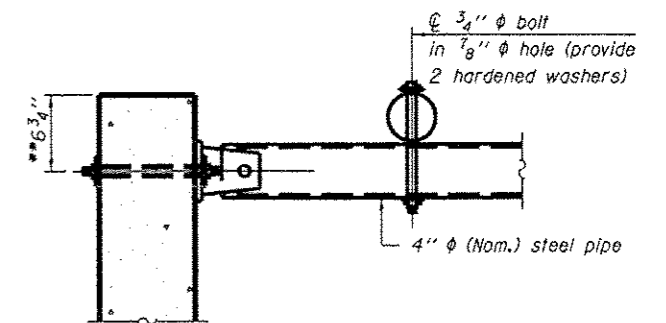


DETAIL B



VIEW C-C

(See Detail A for dimensions and details not shown.)



SECTION D-D

** Measured perpendicular to top of culvert wall. In addition, formed hole shall be located a minimum of 6" measured horizontally from any vertical joints necessary for construction of the culvert end section.

DETAILS

**DETAILS
TRAVERSABLE PIPE GRATE FOR BOX CULVERTS**

SHEET NO. 7 OF 7 SHEETS

10-16-12

FILE NAME #FILES#	DESIGNED -	REVISÉ -	STATE OF ILLINOIS DEPARTMENT OF TRANSPORTATION	F.A. RTE. SECTION 03-00053-01-WVR	COUNTY MADISON	TOTAL SHEETS 145	SHEET NO. 55
	CHECKED -	REVISÉ -					
	DRAWN -	REVISÉ -					
PLOT DATE #DATE#	CHECKED -	REVISÉ -					
				CONTRACT NO.		97509	
				ILLINOIS FED. AID PROJECT			