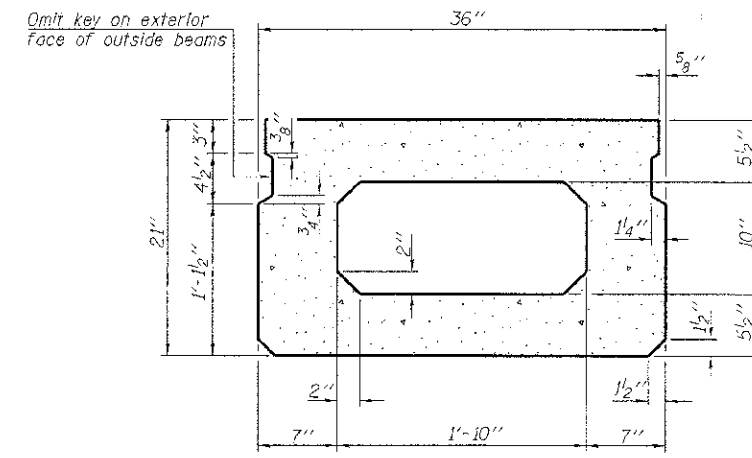
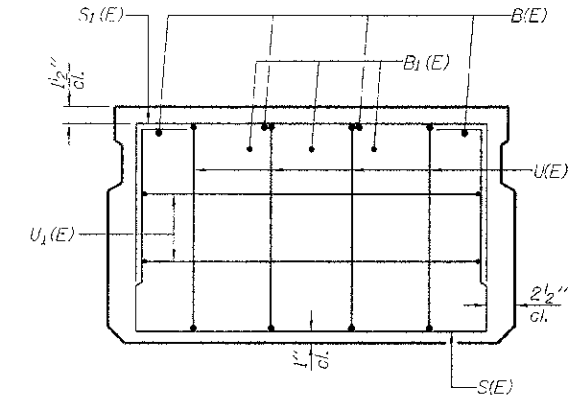


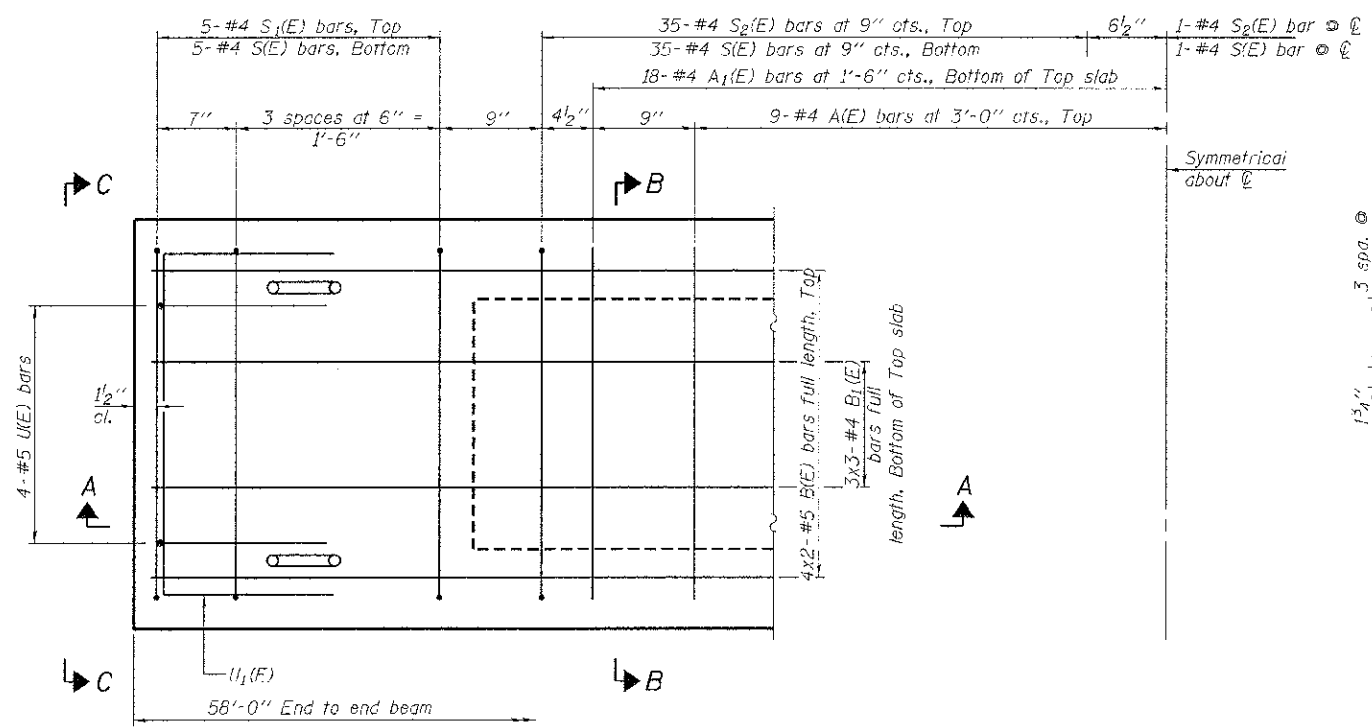
SECTION A-A



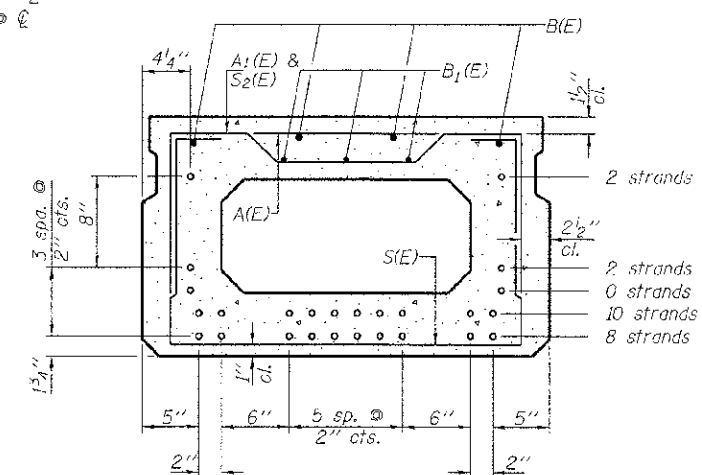
SECTION B-B
(Showing dimensions)



VIEW C-C



PLAN VIEW



SECTION B-B
(Showing reinforcement and permissible strand locations)

Note: Place the number of strands specified in each row symmetrically about the centerline of beam in the permissible strand locations shown.

BAR LIST
ONE BEAM ONLY
(For information only)

Bar	No.	Size	Length	Shape
A(E)	18	#4	2'-7"	—
A1(E)	36	#4	2'-10"	—
B(E)	8	#5	30'-2"	—
B1(E)	9	#4	20'-7"	—
S(E)	81	#4	6'-5"	□
S1(E)	10	#4	4'-11"	□
S2(E)	71	#4	5'-2"	□
U(E)	8	#5	4'-0"	□
U1(E)	4	#4	5'-0"	□

Note: See sheets 3 & 4 of B for additional details and Bill of Material.

MINIMUM BAR LAP

- #4 bar = 2'-0"
- #5 bar = 2'-6"

Notes:
Spacing of S(E) and S2(E) bars may be adjusted up to 4" in the immediate area of the transverse tie diaphragms to miss the block outs for the transverse ties.
Bars indicated thus 4x2-#5 etc. indicates 4 lines of bars with 2 lengths per line.

PD-2136-0

7-1-10

FILE NAME = 118138-ht-br1dga.dgn	USER NAME =	DESIGNED - J.W.F.	REVISED -
HAMPTON, LENZINI AND RENWICK, INC. 1540 STEVENSON DRIVE, SUITE 201 SPRINGFIELD, ILLINOIS 62762	PLOT SCALE =	CHECKED - S.W.M.	REVISED -
ILLINOIS PROFESSIONAL JOURNALIST * IAW LS / PE / SE CORP. 13400958	PLOT DATE = 10/29/2012	DRAWN - D.A.B.	REVISED -
		CHECKED - M.G.B.	REVISED -

STATE OF ILLINOIS
JOHNSON COUNTY HIGHWAY DEPARTMENT

21" x 36" PPC DECK BEAM
STRUCTURE NO. 044-3134

SHEET NO. 2 OF 9 SHEETS

T.R.	SECTION	COUNTY	TOTAL SHEET NO.
65	10-01218-00-BR	JOHNSON	19 12
COUNTY UNIT ROAD DISTRICT		CONTRACT NO. 99476	
ILLINOIS FED. AID PROJECT			