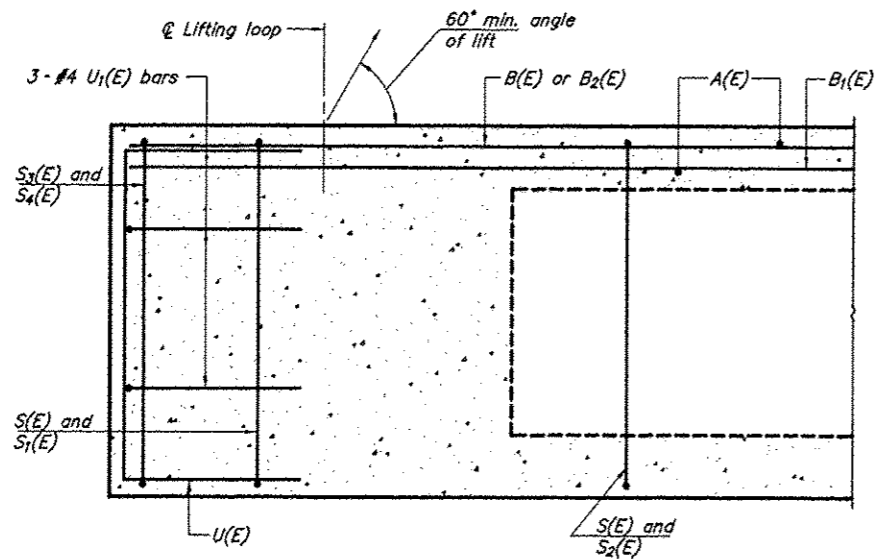
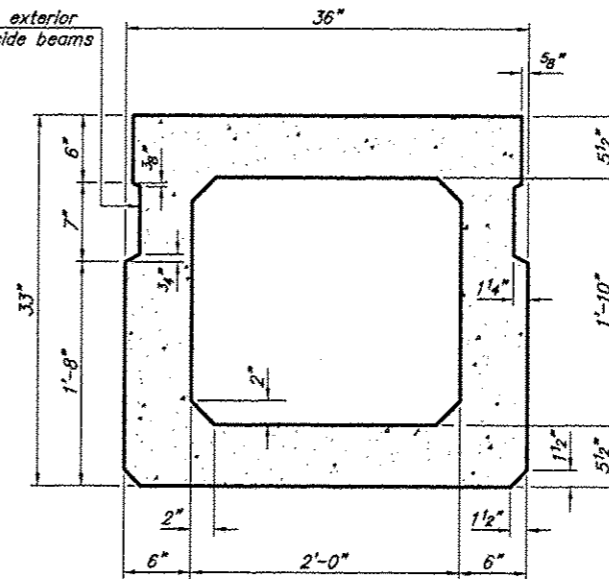


ROUTE	SECTION	COUNTY	TOTAL SHEETS	SHEET NO
TR 272A	10-04119-00-BR	SALINE	12	4
PROJECT NO. BROS-165(35)			CONTRACT NO. 99479	

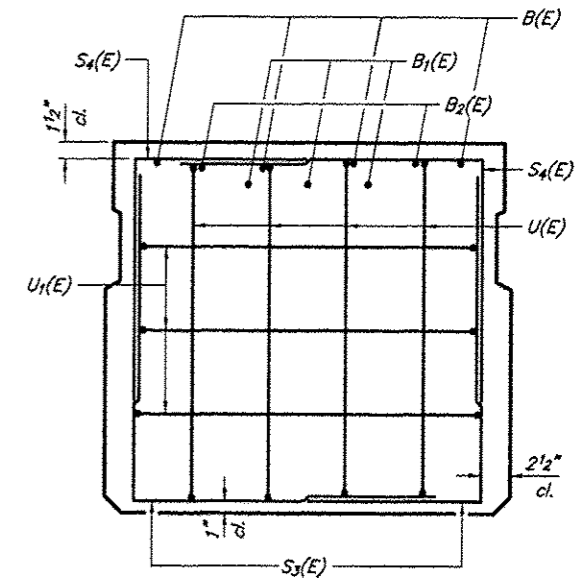


SECTION C-C

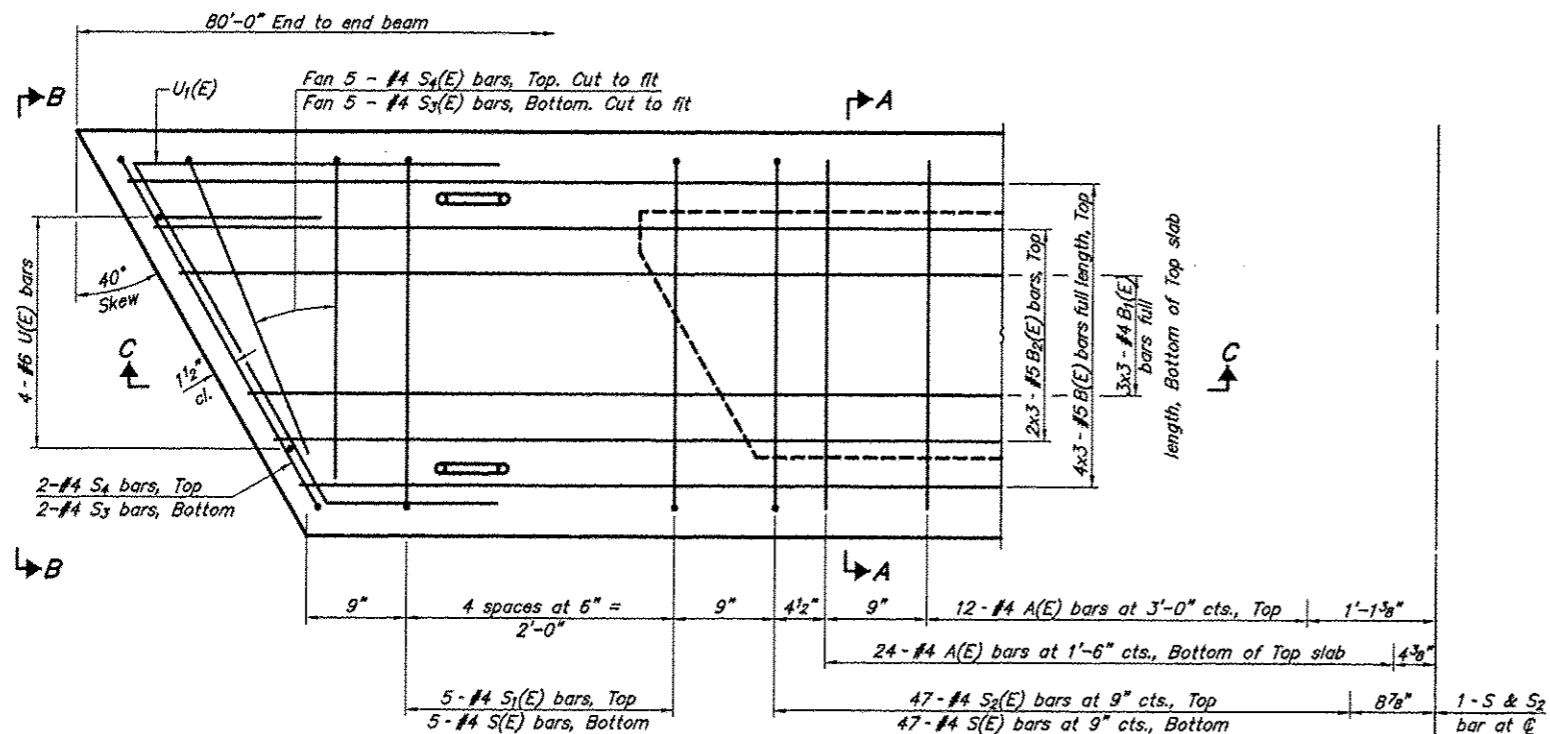
Omit key on exterior face of outside beams



SECTION A-A
(Showing dimensions)

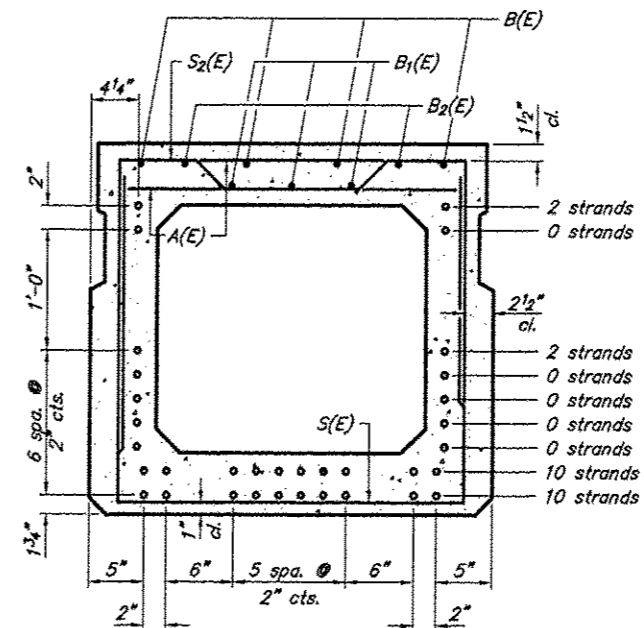


VIEW B-B



PLAN VIEW

Note: Spacing of S(E) and S2(E) bars may be adjusted up to 4" in the immediate area of the transverse tie diaphragms to miss the block outs for the transverse ties.



SECTION A-A

(Showing reinforcement and permissible strand locations)

Note: Place the number of strands specified in each row symmetrically about the centerline of beam in the permissible strand locations shown.

BAR LIST
ONE BEAM ONLY
(For information only)

Bar	No.	Size	Length	Shape
A(E)	72	#4	2'-7"	—
B(E)	12	#5	28'-0"	—
B1(E)	9	#4	27'-8"	—
B2(E)	6	#5	28'-0"	—
S(E)	105	#4	7'-5"	—
S1(E)	10	#4	6'-3"	—
S2(E)	95	#4	6'-5"	—
S3(E)	14	#4	5'-0"	—
S4(E)	14	#4	4'-5"	—
U(E)	8	#6	5'-0"	—
U1(E)	6	#4	7'-11"	—

Bar Laps #4 bars = 1'-8"
#5 bars = 2'-2"

33" X 36" PPC DECK BEAM
TOWNSHIP ROUTE 272A (LINDALE ROAD)
SPOIL BANK DITCH
SECTION 10-04119-00-BR
SALINE COUNTY
STRUCTURE 083-3242