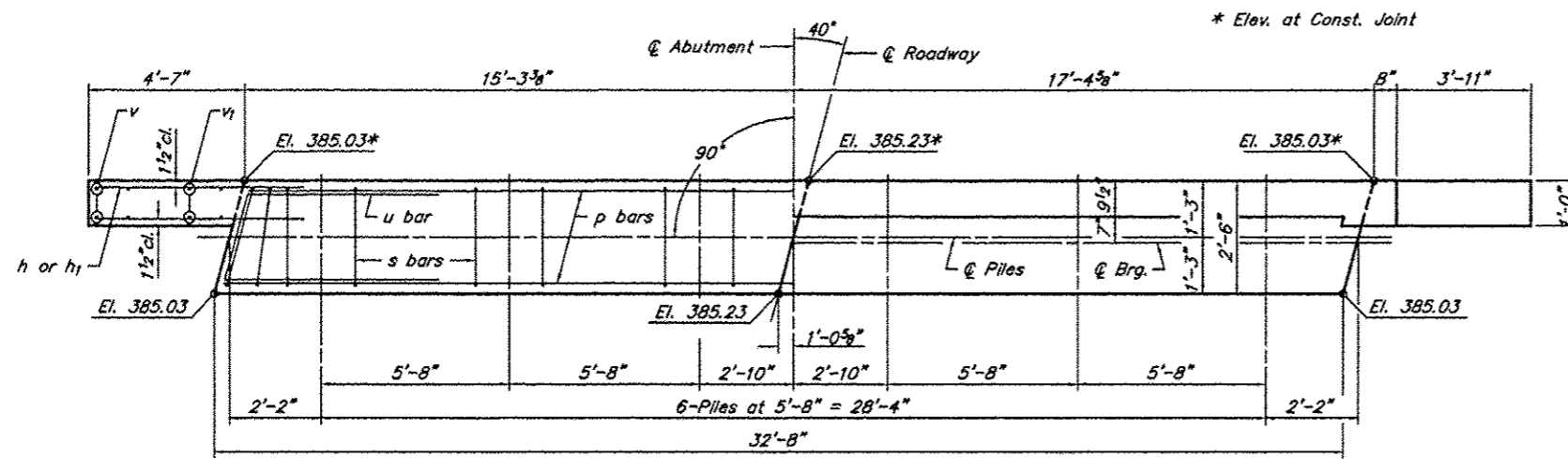
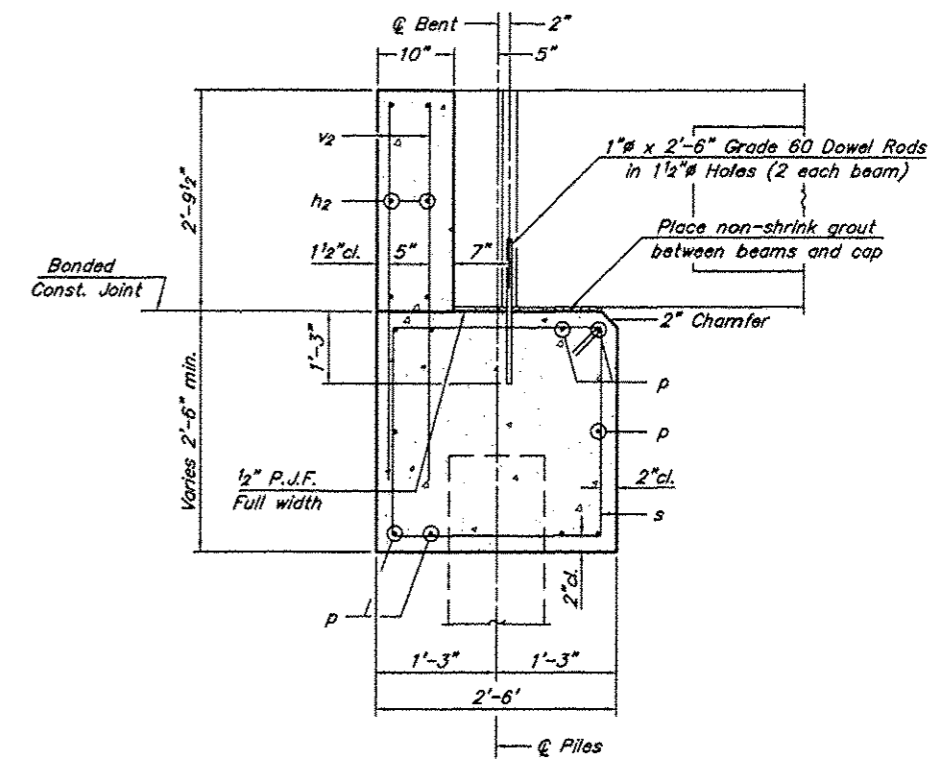


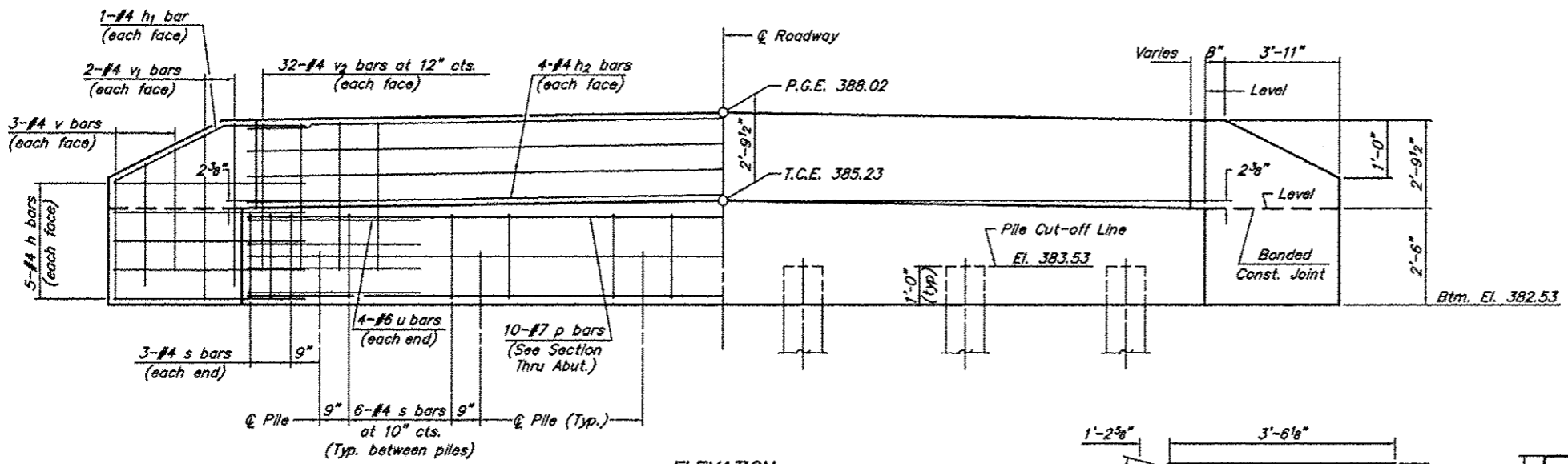
ROUTE	SECTION	COUNTY	TOTAL SHEETS	SHEET NO
TR 272A	10-04119-00-BR	SALINE	12	8
PROJECT NO. BROS-165(35)			CONTRACT NO. 99479	



PLAN



SECTION THRU ABUT.
(At Right Angles)



ELEVATION

BILL OF MATERIAL FOR ONE ABUTMENT

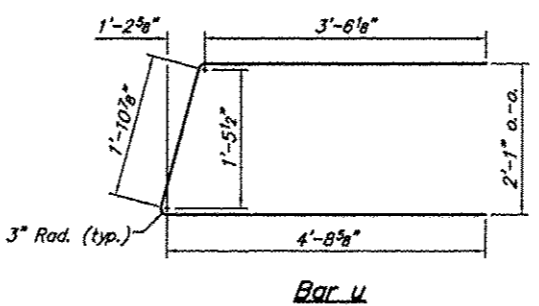
Bar	No.	Size	Length	Shape
h	20	#4	6'-9"	—
h1	4	#4	6'-9"	—
h2	8	#4	32'-4"	—
P	10	#7	32'-4"	—
s	36	#4	9'-5"	□
u	8	#6	10'-11"	—
v	12	#4	4'-2"	—
v1	8	#4	5'-0"	—
v2	64	#4	4'-5"	—
Concrete Structures			12.3	Cu. Yds.
Reinforcement Bars			1549	Lbs.

NOTES

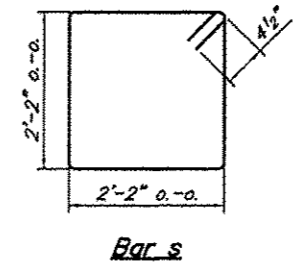
- The Backwall and the portion of the Wingwalls above the bonded construction joint shall be cast against the in-place beam.
- Reinforcement bars shall conform to A.A.S.H.T.O. M-31, M-42 or M-53, Grade 60.

DESIGN STRESSES

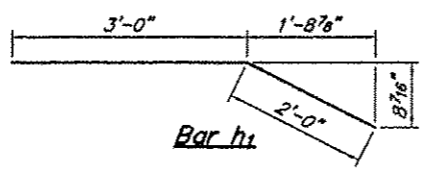
$f_c = 3,500$ psi
 $f_y = 60,000$ psi



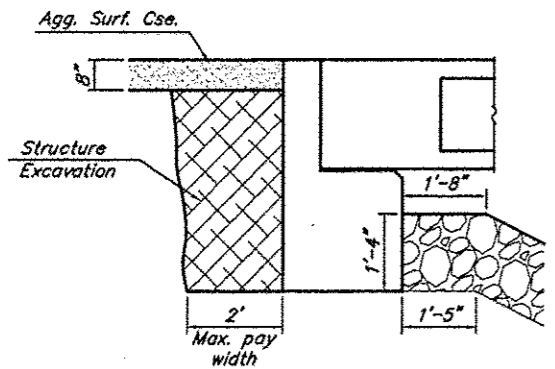
Bar u



Bar s



Bar h1



BACKFILL & BERM DETAIL
(At Right Angles to Abut.)

ABUTMENT
TOWNSHIP ROUTE 272A (LINDALE ROAD)
SPOIL BANK DITCH
SECTION 10-04119-00-BR
SALINE COUNTY
STRUCTURE 083-3242