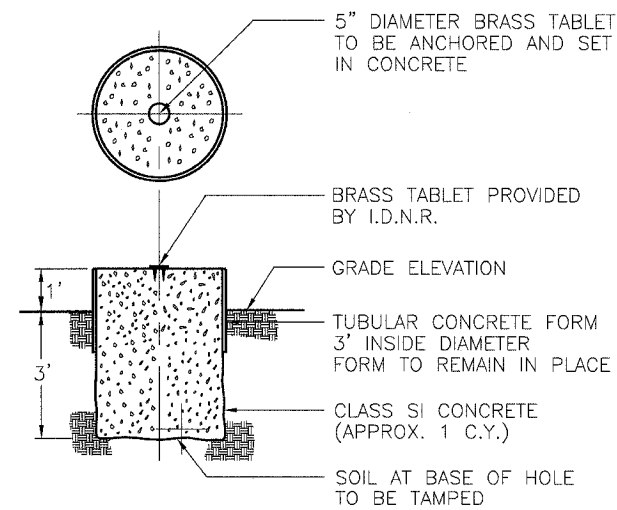
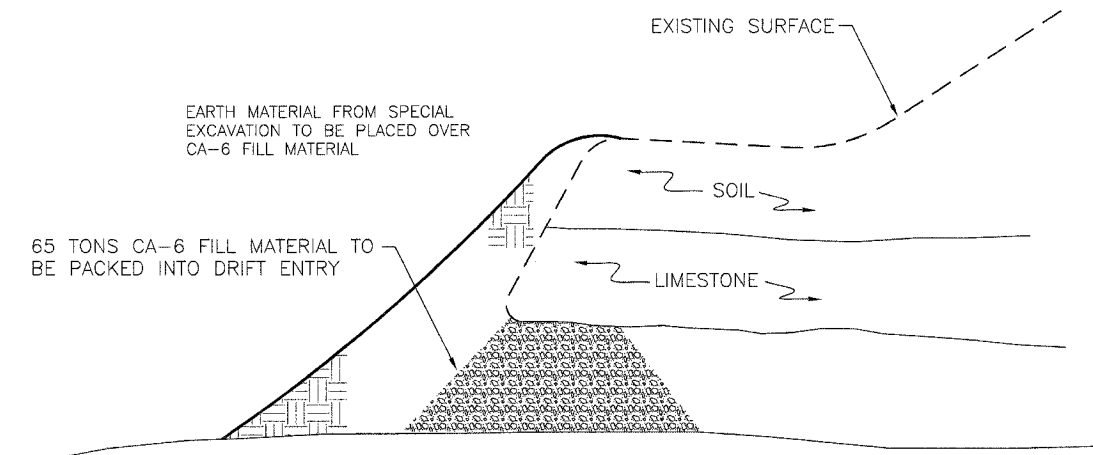
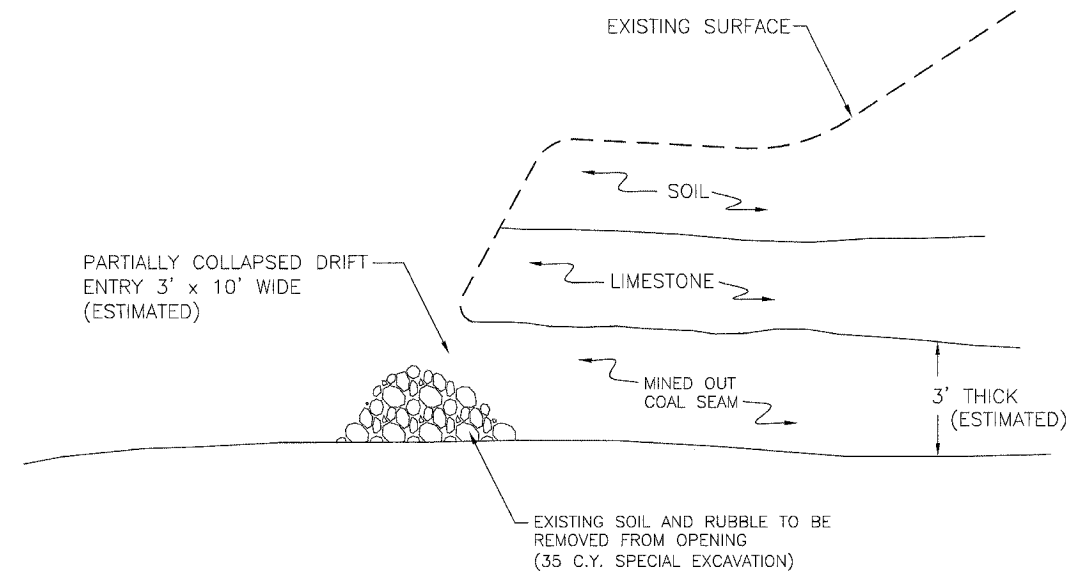


A RIPRAP LINED DITCH DETAIL
13 NOT TO SCALE



B MINE OPENING MARKER DETAIL
13 NOT TO SCALE
EXACT LOCATION TO BE SET BY ENGINEER



NOTE:
DUE TO THE UNKNOWN CONDITIONS THAT EXIST IN AND AROUND THE DRIFT ENTRY, THE CONTRACTOR SHALL USE EXTREME CAUTION WHEN PERFORMING WORK NEAR THE ENTRY. THE ENGINEER RESERVES THE RIGHT TO INCREASE OR DECREASE THE QUANTITY FOR SPECIAL EXCAVATION AND BACKFILLING MATERIALS AS DETERMINED BY THE EXACT CONDITIONS ENCOUNTERED DURING SPECIAL EXCAVATION,

C DRIFT ENTRY FILLING DETAIL
13 NOT TO SCALE