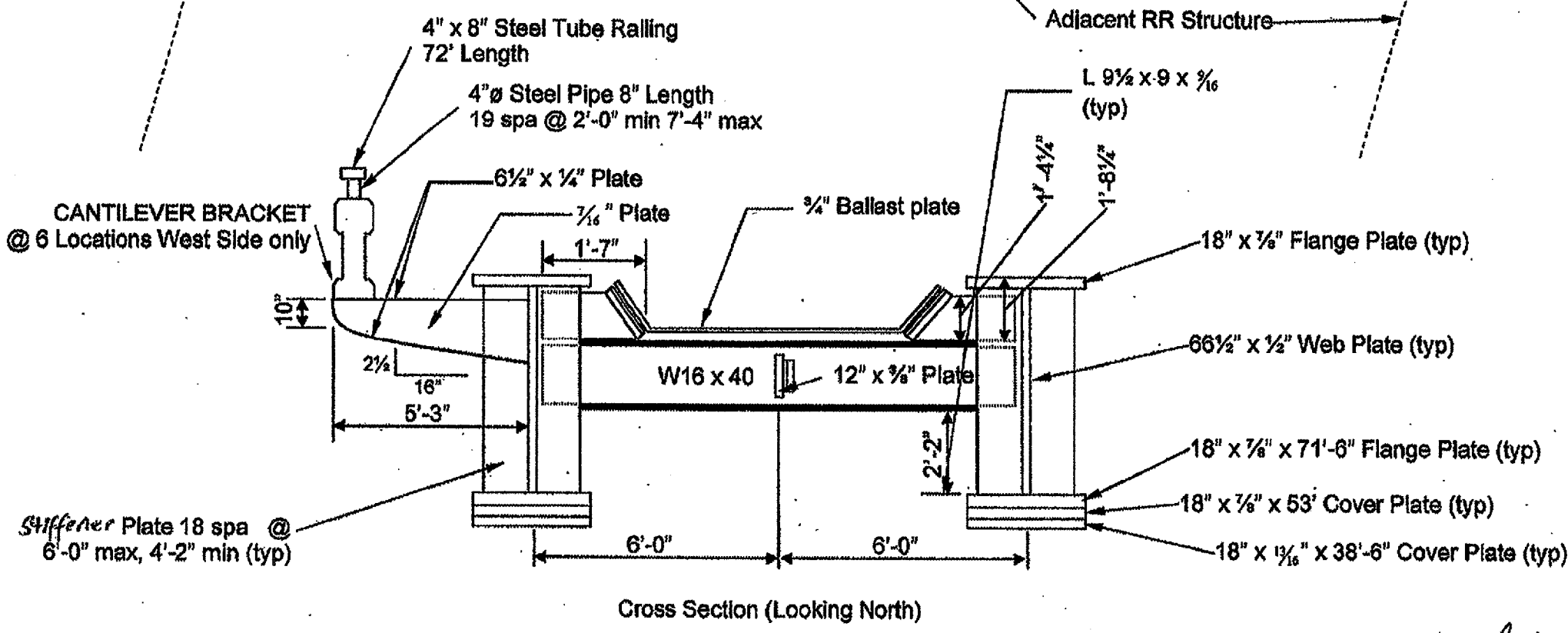
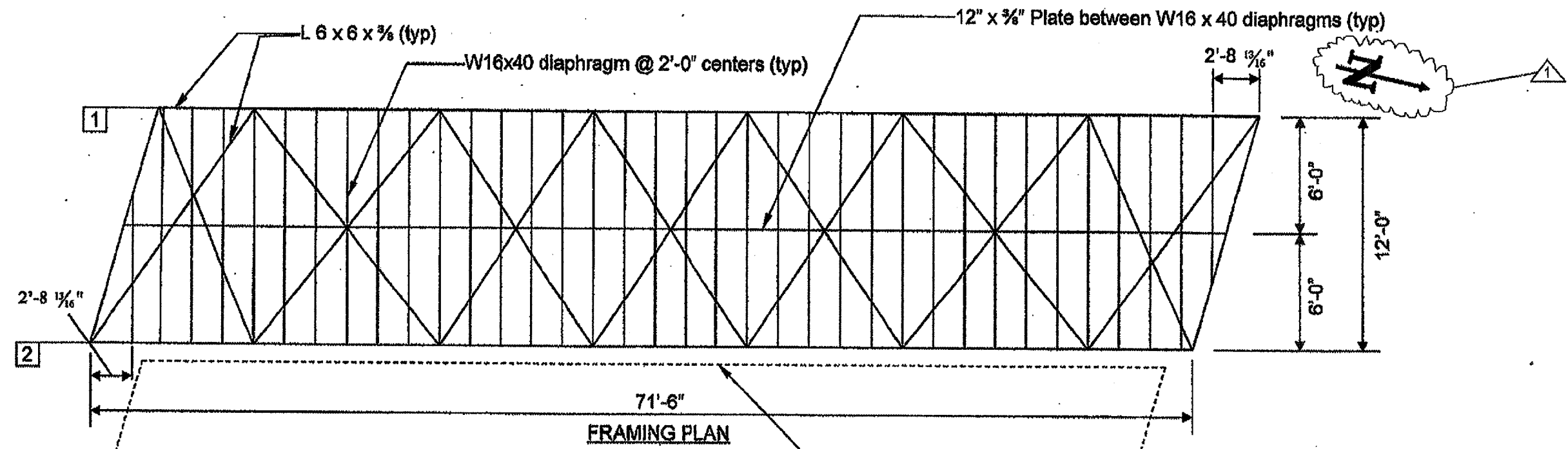


ROUTE	SECTION	COUNTY	TOTAL SHEETS	SHEET NUMBER
Palatine Rd	2005-047BP	Cook	12	7

CONTRACT: 60A22



ILLINOIS DEPARTMENT OF
TRANSPORTATION
FRAMING PLAN LOCATION 4
SN: 016-2025
PALATINE ROAD UNDER
WISCONSIN CENTRAL RR