

ROUTE	SECTION	COUNTY	TOTAL SHEETS	SHEET NUMBER
VARIOUS	2005-047BP	COOK	12	4

Contract 60A22

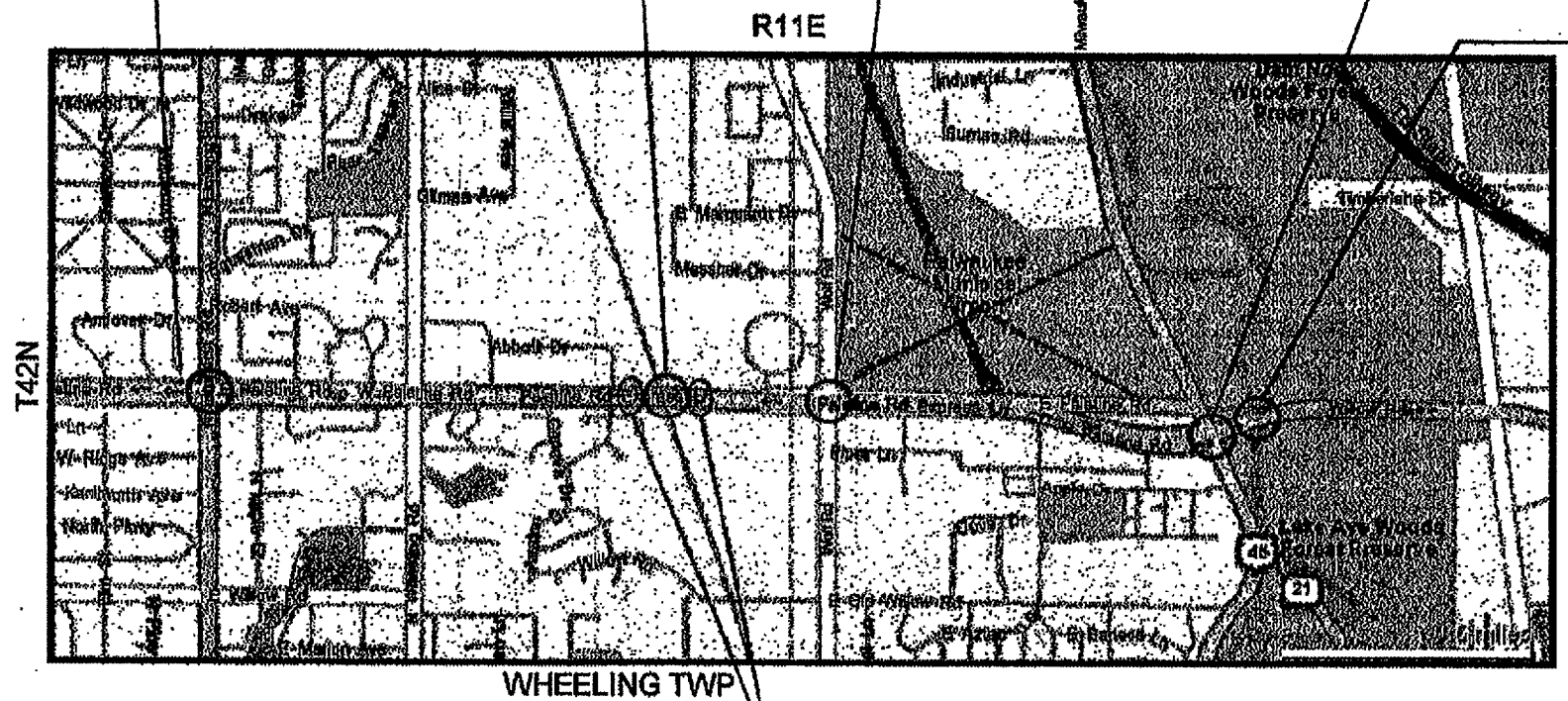
**LOCATION 1**  
HAND RAILS ON RETAINING WALLS ADJACENT TO SN 016-2812 PALATINE RD OVER IL 83(ELMHURST RD)  
2002 ADT = 31,800  
SPEED LIMIT = 45 MPH

**LOCATION 4**  
016-2025  
PALATINE RD UNDER WCRR (WESTMOST RR STRUCTURE)  
2002 ADT = 31,800  
SPEED LIMIT = 55 MPH

**LOCATION 3**  
HANDRAILS ON RETAINING WALLS ADJACENT TO SN 016-0680 PALATINE RD UNDER WOLF ROAD  
2002 ADT = 41,600  
SPEED LIMIT = 55 MPH

**LOCATION 5**  
SN 016-2786  
PALATINE RD OVER US 45/IL 21 (MILWAUKEE AVE.)  
2002 ADT = 47,900  
SPEED LIMIT = 55 MPH

**LOCATION 6**  
SN 016-0530  
PALATINE OVER DES PLAINES RIVER  
2002 ADT = 47,900  
SPEED LIMIT = 55 MPH



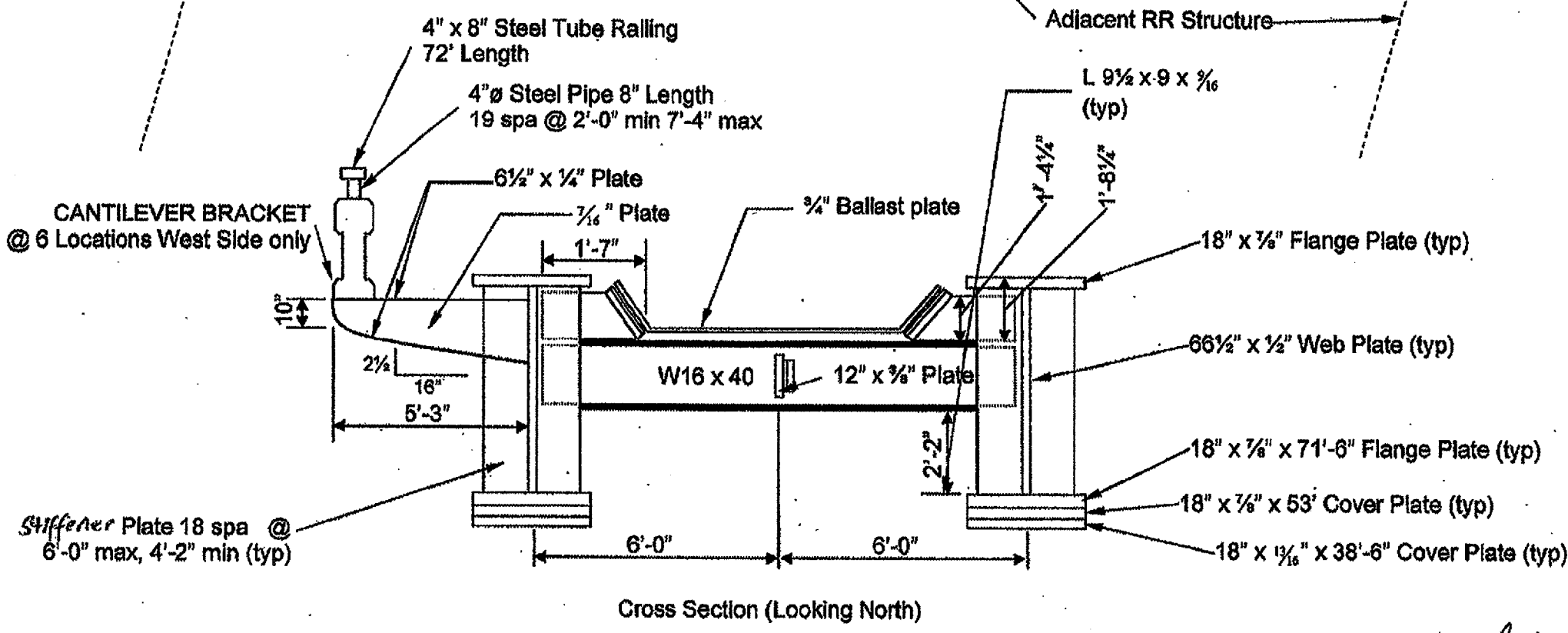
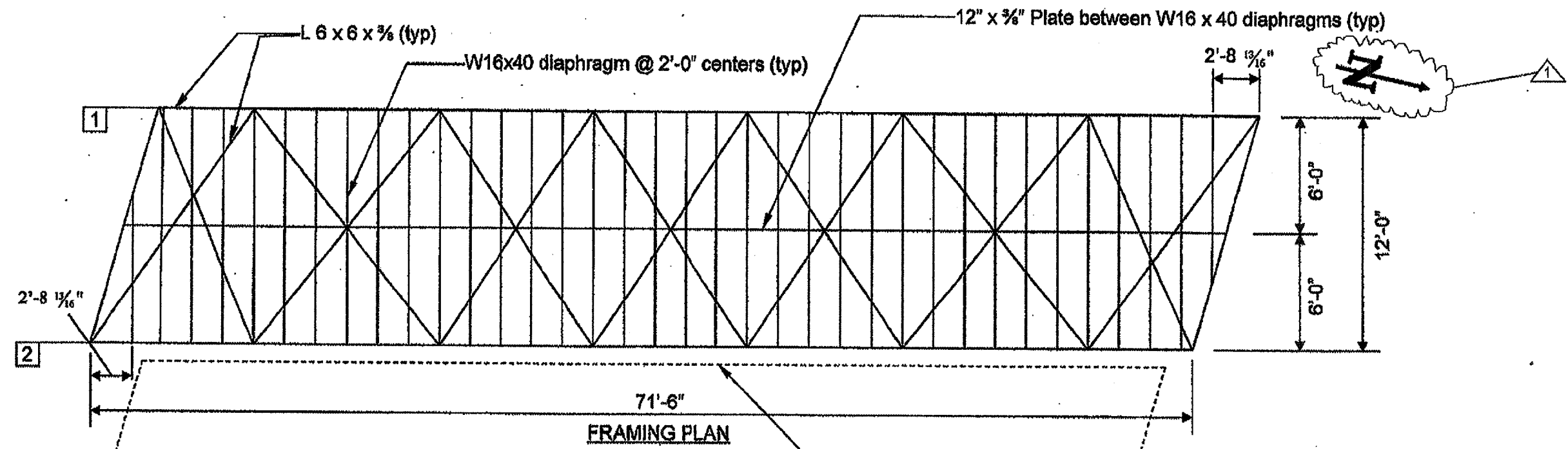
**LOCATION 2**  
HANDRAILS ON RETAINING WALLS ADJACENT TO SN 016-2529 (E FRONTAGE RD) & SN 016-2530 (W FRONTAGE RD) OVER PALATINE RD  
PALATINE RD 2002 ADT = 31800  
SPEED LIMIT = 55 MPH  
FRONTAGE RD 1997 ADT = 5009 (ONE WAY)  
SPEED LIMIT = 35 MPH

ILLINOIS DEPARTMENT OF TRANSPORTATION

**LOCATION MAPS**

ROUTE	SECTION	COUNTY	TOTAL SHEETS	SHEET NUMBER
Palatine Rd	2005-047BP	Cook	12	7

CONTRACT: 60A22



ILLINOIS DEPARTMENT OF  
TRANSPORTATION  
FRAMING PLAN LOCATION 4  
SN: 016-2025  
PALATINE ROAD UNDER  
WISCONSIN CENTRAL RR