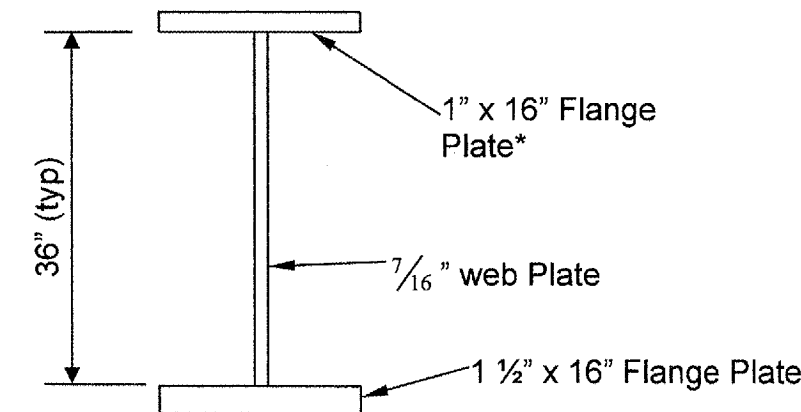
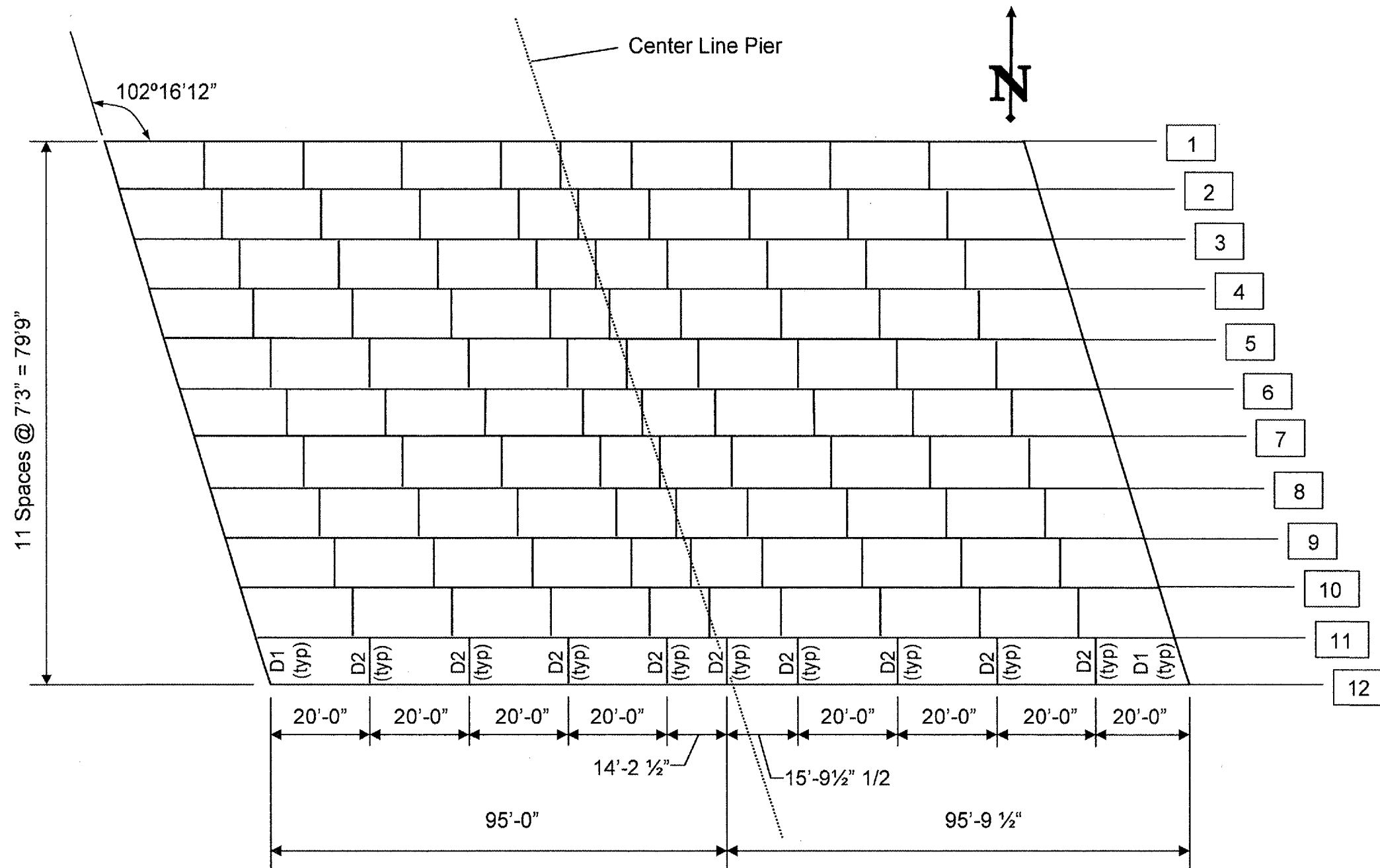


ROUTE	SECTION	COUNTY	TOTAL SHEETS	SHEET NUMBER
Palatine Rd	2005-047BP	Cook	12	8

CONTRACT: 60A22

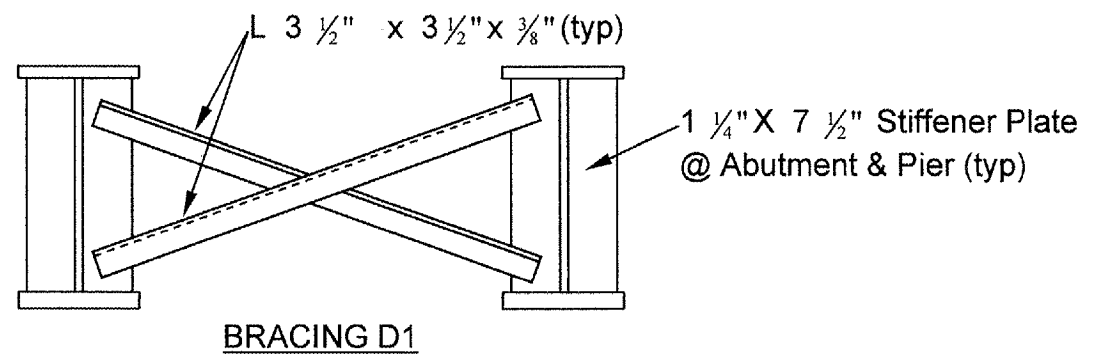


* Top Plate thickness increases to 1 1/2" in 36' section over pier.
 1 1/4" x 7 1/2" Stiffener Plate located over abutments and pier.

TYPICAL BEAM SECTION

Diaphragm D2 = W18 x 48

All Structural Steel Has Zinc Primer Only



ILLINOIS DEPARTMENT OF
 TRANSPORTATION
 FRAMING PLAN LOCATION 5
 SN: 016-2786
 PALATINE ROAD OVER
 MILWAUKEE AVE (IL RTE. 21/U.S. 45)

Rex