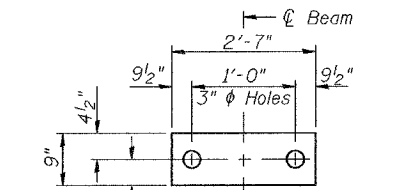


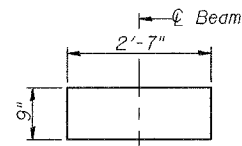
STATE OF ILLINOIS
DEPARTMENT OF TRANSPORTATION

ROUTE NO.	SECTION	COUNTY	TOTAL SHEETS	SHEET	SHEET NO. 2
		McHenry	12	5	4 SHEETS
FED. ROAD DIST. NO. 7	ILLINOIS	FED. AID PROJECT-			

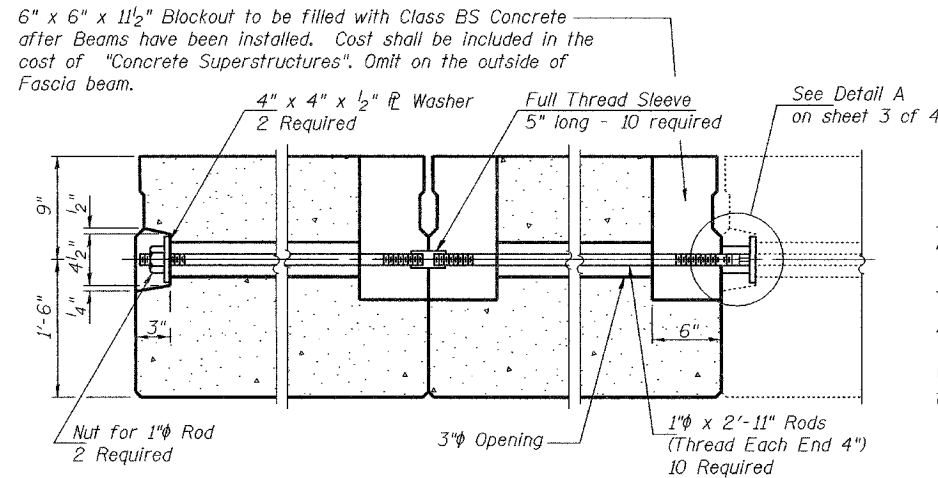
Contract Number: 60B96



FIXED FABRIC BEARING PAD



EXPANSION FABRIC BEARING PAD

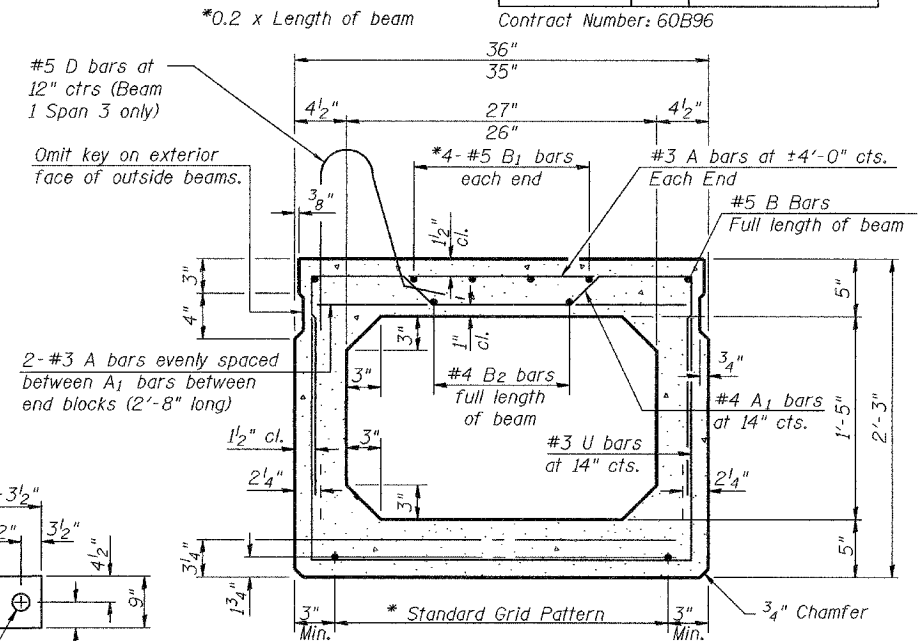


TYPICAL TRANSVERSE TIE ASSEMBLY

*** TRANSVERSE PLACEMENT GUIDELINES**

1. Place strands symmetrically about centerline of beam.
2. The minimum distance from center to center of strands in all directions shall be 2".
3. The minimum clearance from strand to dowel hole shall be 1/2".
4. The minimum clearance from strand to void shall be 1/2".

Vertical placement of strands shall not be adjusted to satisfy the above guidelines.

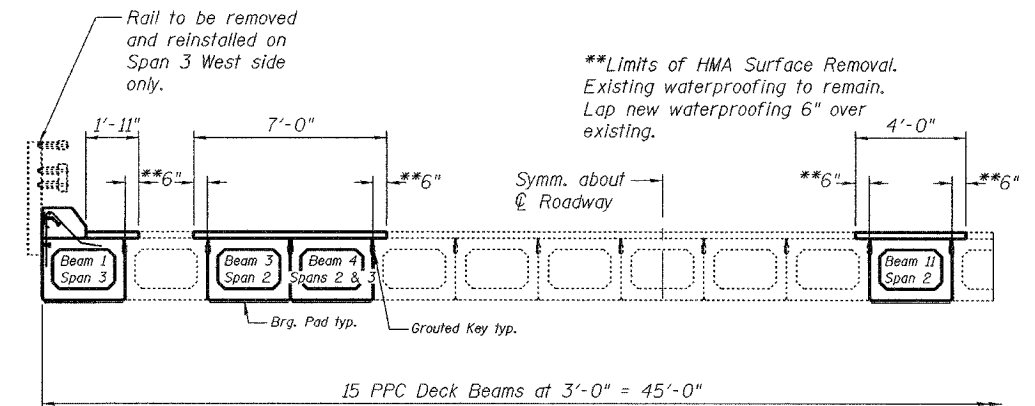


TYPICAL SECTION

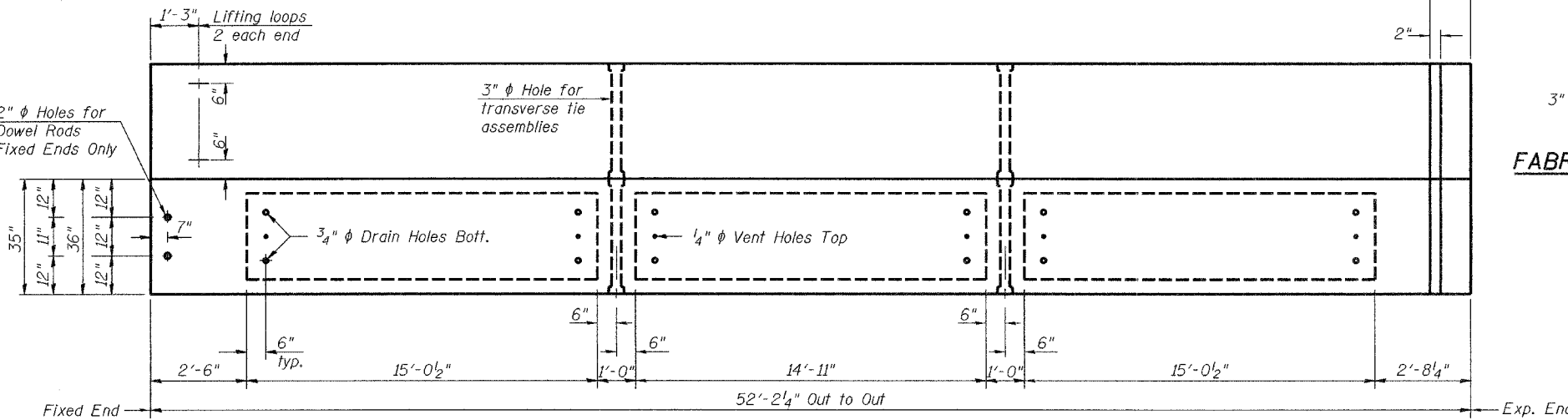
1/2" ϕ Strands, Each Strand Stressed to 30,900 Lbs.
6-Strands 1 3/4" up, 6-Strands 3 1/4" up

FABRIC ADJUSTING SHIMS

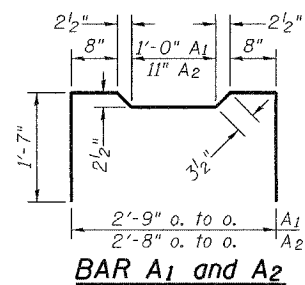
(Fixed shown, Expansion similar without hole)



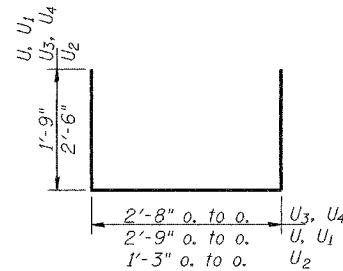
PARTIAL DECK CROSS SECTION



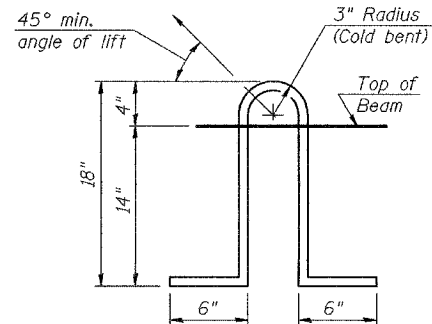
PLAN



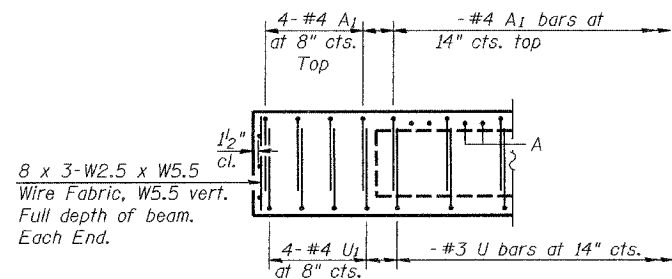
BAR A1 and A2



BARS U, U1, U2, U3 & U4



LIFTING LOOP DETAIL



END ELEVATION

NOTES

- Prestressing steel shall be uncoated high strength, low relaxation 7-wire strand, Grade 270. The nominal diameter shall be 1/2" and the nominal cross-sectional area shall be 0.153 sq. in. Lifting loops shall be 2 - 1/2" ϕ -270 ksi strands, as shown.
- The 1" ϕ rods in the transverse tie assembly shall be tightened to a snug fit and the threads set. Pockets that receive transverse tie bar on outside shall be filled with grout after transverse tie assembly is in place.
- The bearing seat surfaces shall be adjusted by shimming to assure firm and even bearing. Two 1/8" fabric adjusting shims of the dimensions shown shall be provided for each bearing.
- Keyway surfaces shall be cleaned to remove form oil or other bond breaking material prior to shipment of the beams. Cleaning shall be done by sandblasting the keyway areas between top of the beam and the bottom edge of the key.
- Corrosion Inhibitor, according to Article 1020.05(b)(12) and 1021.06 of the Standard Specifications, shall be used in the concrete for precast prestressed concrete deck beams.
- Required Release Strength, f'ci, shall be 4,000 p.s.i.
- Non prestressing steel shall conform to ASTM A706 (Illinois Modified), Grade 60.

BILL OF MATERIAL

Bar	No.	Size	Length	Shape
Precast Prestressed Conc. Deck Bms.			Sq. Ft.	770

BEAM DETAILS
F.A.P. RT. 324
McHENRY COUNTY
SN 056-0010

DESIGNED	V.H.V.	DATE	December 4, 2006
CHECKED	A.J.B.	EXAMINED	John A. Morris ENGINEER OF STRUCTURAL SERVICES
DRAWN	Drew Christopher	PASSED	Ralph E. Anderson ENGINEER OF BRIDGES AND STRUCTURES
CHECKED	V.H.V. A.J.B.		

PD-5-S 10-22-04