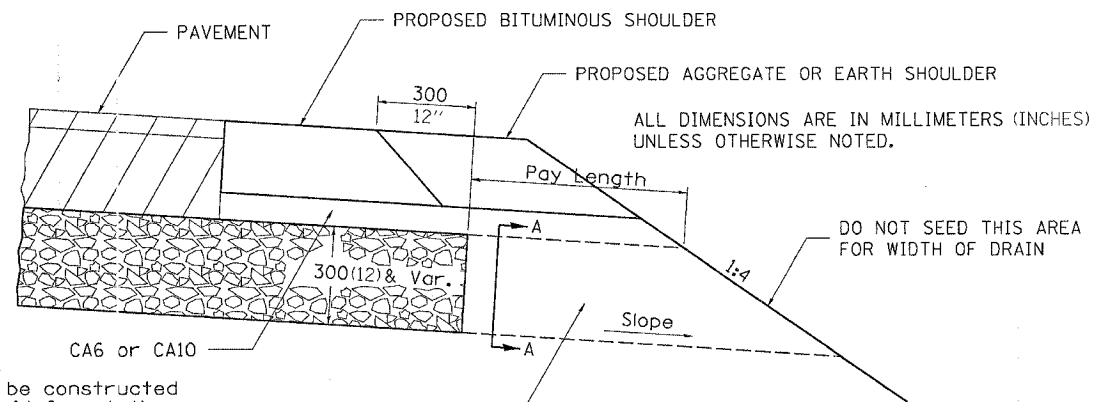


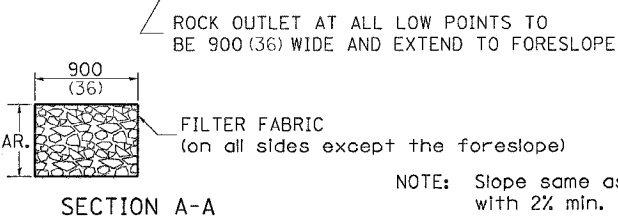
F.A.U. RTE.	SECTION	COUNTY	TOTAL SHEETS	SHEET NO.
5564	111-M-1	WHITESIDE	78	39
STA.		TO STA.		
FED. ROAD DIST. NO.		ILLINOIS FED. AID PROJECT		

DRAIN FOR AGGREGATE BASE COURSE



NOTES:

The rock outlets shall be constructed using CA7 and will be paid for at the contract unit price per m² (SQ. YD.) for DRAIN FOR AGGREGATE BASE COURSE. The thickness shall be the same as the adjacent sub-base material as noted on the plans and shall include the cost of the filter fabric. The Rock outlets will be measured in m² (SQ. YD.), the width being 900 (36) by the length shown above. The cost of the CA6 or CA10 under the shoulder shall be included in the contract unit price per m² (SQ. YD.) for SUB-BASE GRANULAR MATERIAL, TYPE A of the thickness specified. The filter fabric to be used shall conform to the filter fabric used for Riprap.

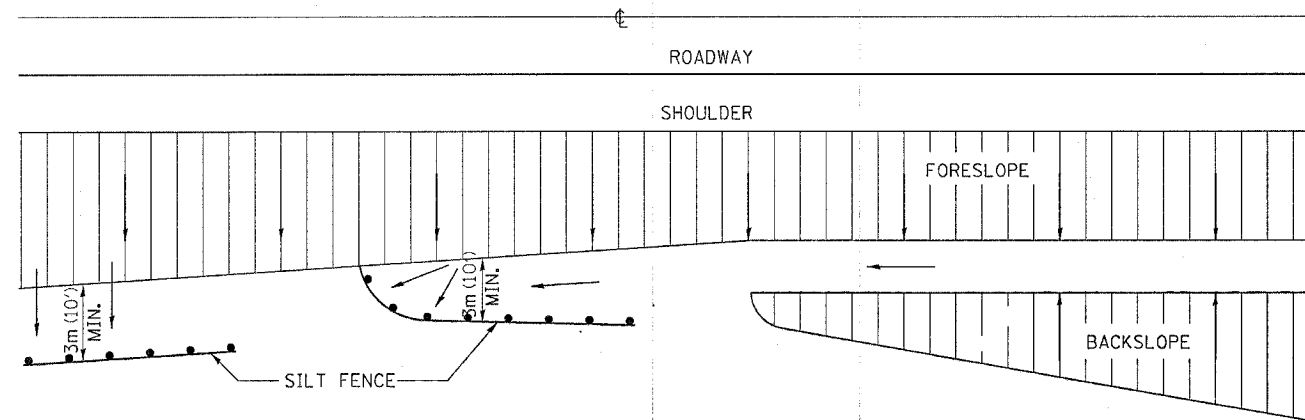


NOTE: Slope same as shoulder with 2% min.

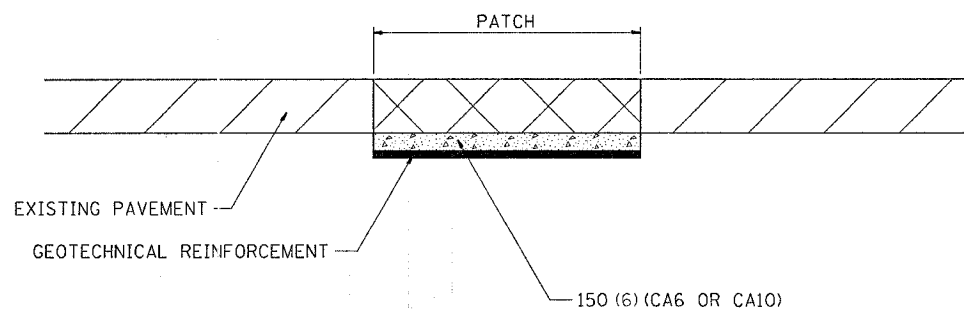
DRAIN FOR AGGREGATE BASE COURSE 96.4

REVISED 6-5-06

EROSION CONTROL DETAILS FOR SILT FENCE



SUBGRADE REPLACEMENT



NOTES:

The Engineer will determine which patches will require Subgrade Replacement, generally when the Q_u of the Subgrade < 0.3TSF or if patch density is questionable.

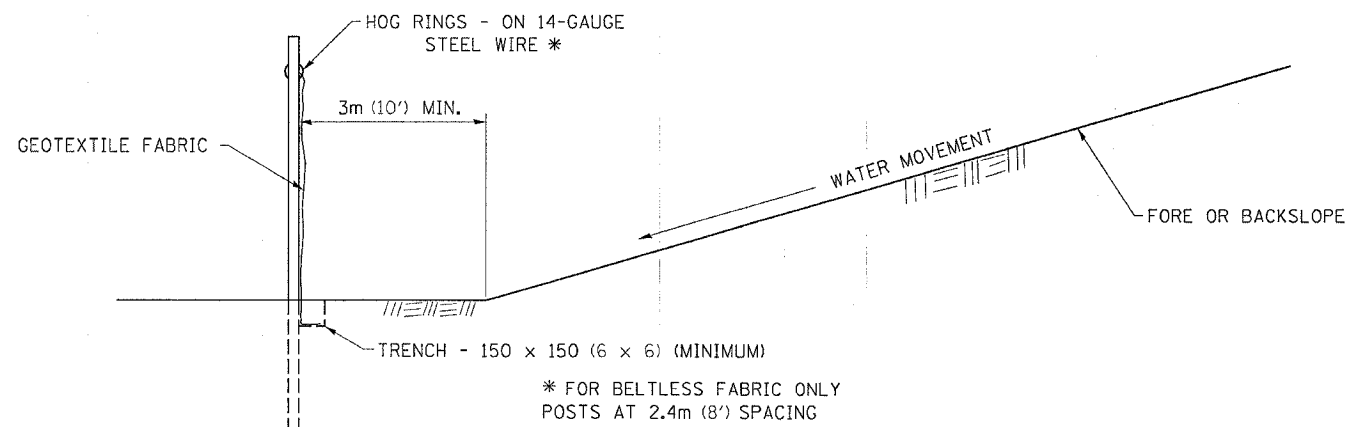
UNSTABLE SUBGRADE MATERIAL SHALL BE REMOVED AND DISPOSED OF BY THE CONTRACTOR.

This work will be paid for at the contract unit price per m³ (CU. YD.) for GRANULAR SUBGRADE REPLACEMENT and per m² (SQ. YD.) for GEOTECHNICAL REINFORCEMENT.

ALL DIMENSIONS ARE IN MILLIMETERS (INCHES) UNLESS OTHERWISE NOTED.

SUBGRADE REPLACEMENT 97.4

REVISED 4-23-93



DETAILS OF SILT FENCE

ALL DIMENSIONS ARE IN MILLIMETERS (INCHES) UNLESS OTHERWISE NOTED.

EROSION CONTROL DETAILS FOR SILT FENCE 29.2

REVISED 10-22-01

PLOT DATE = Tue Aug 09 11:05:45 2005
 FILE NAME = I:\2005\111-M-1\111-M-1.dgn
 PLOT SCALE = 50.0000 * / IN.
 REFERENCE = REF#