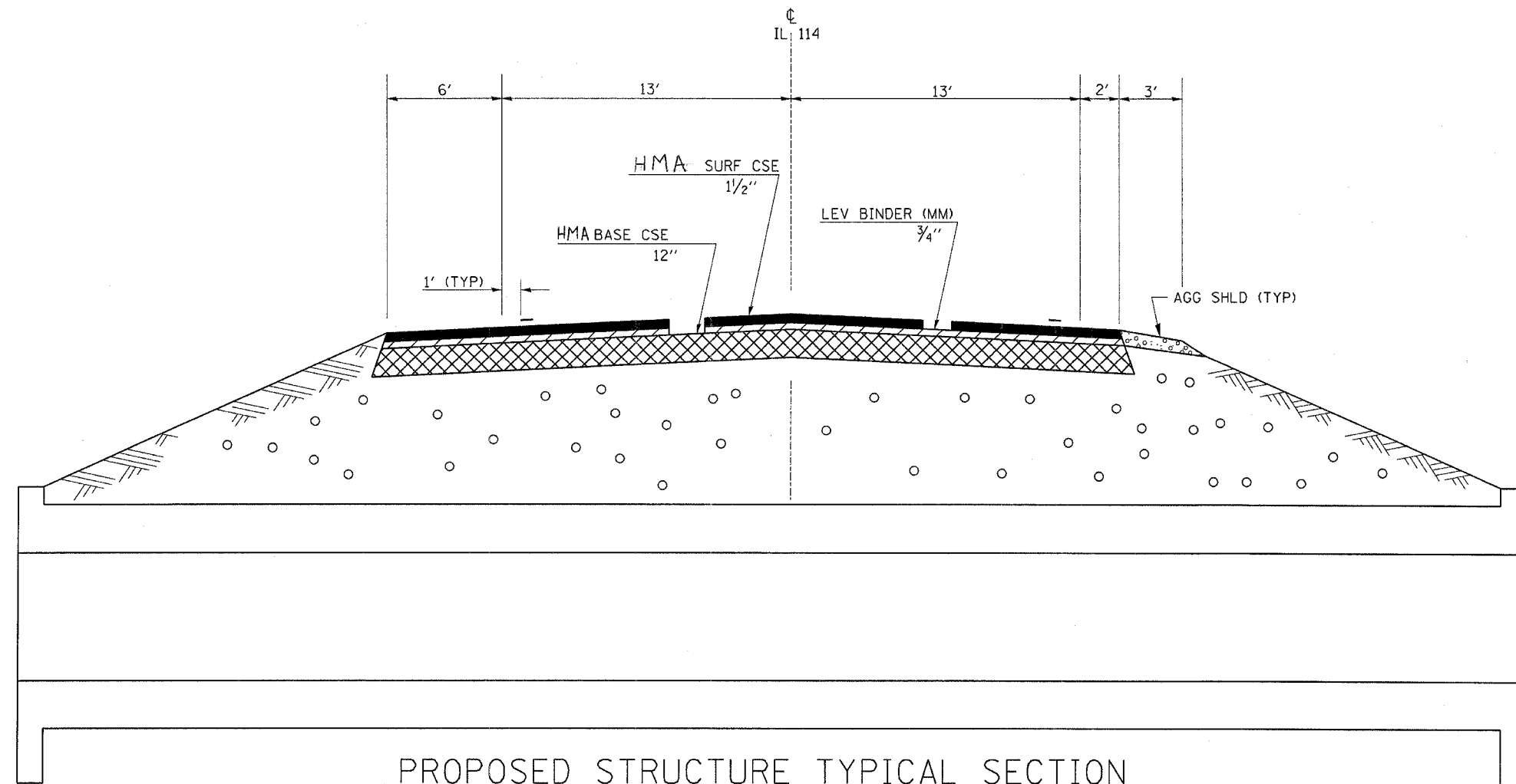
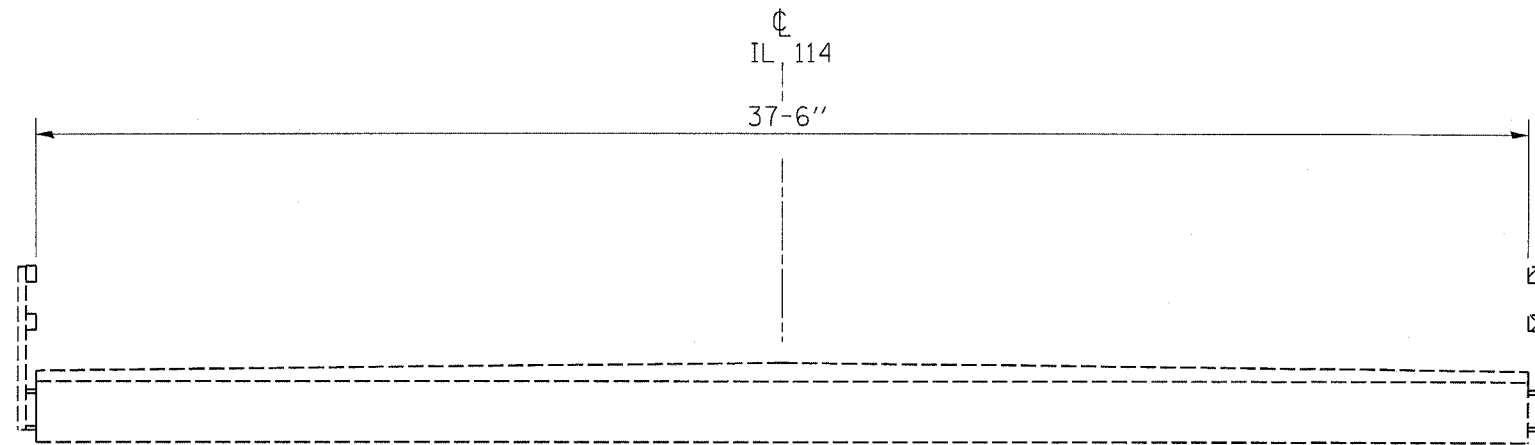


F.A.P. RTE.	SECTION	COUNTY	TOTAL SHEETS	SHEET NO.
635	(105)BR-2	KANKAKEE	25	6
STA 163+77 TO		STA 164+04		



© CENTERLINE
STA 163+72 TO 164+08

**BOX CULVERT
TYPICAL SECTION**