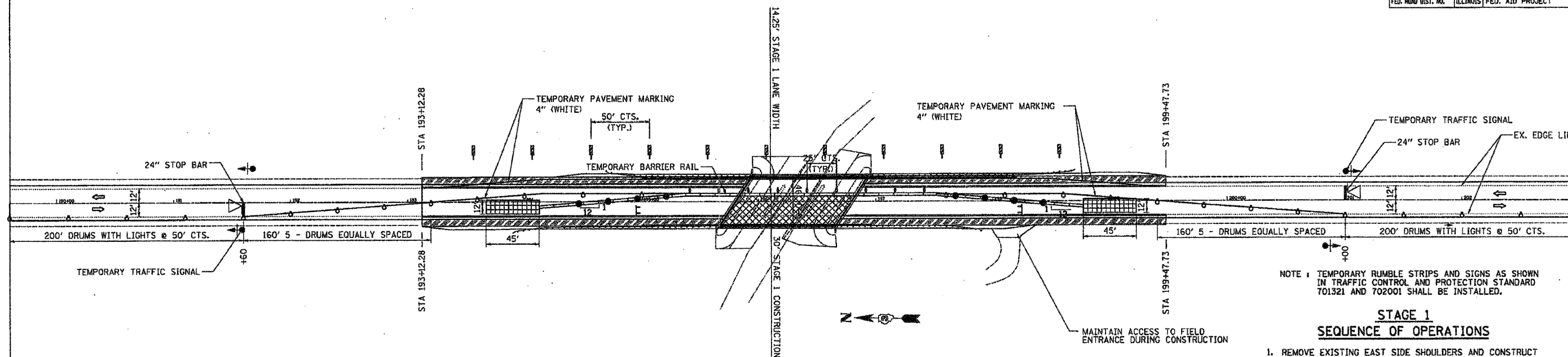


F.A.P. RTE.	SECTION	COUNTY	TOTAL SHEETS	SHEET NO.
840	139 BR-1	KANKAKEE	69	15
STA.		TO STA.		
FED. RHD DIST. NO.		ILLINOIS FED. AID PROJECT		

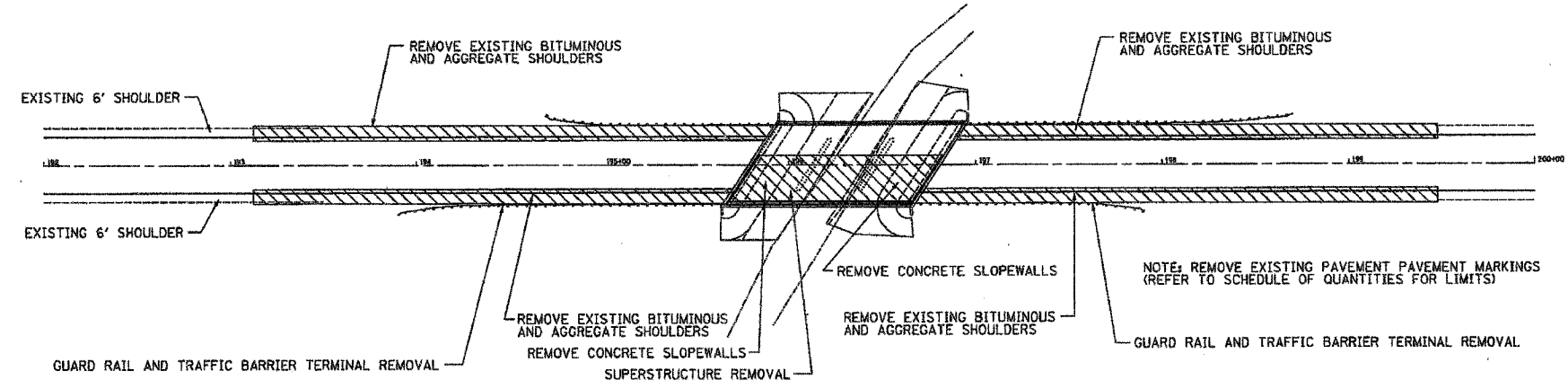


TRAFFIC CONTROL SCHEMATIC

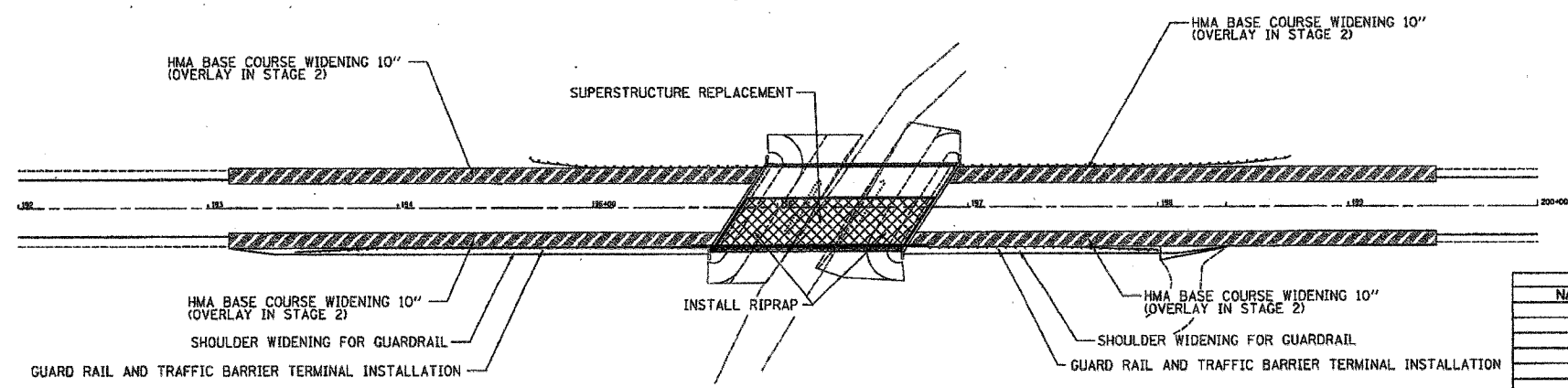
NOTE: TEMPORARY RUMBLE STRIPS AND SIGNS AS SHOWN IN TRAFFIC CONTROL AND PROTECTION STANDARD 701321 AND 702001 SHALL BE INSTALLED.

STAGE 1 SEQUENCE OF OPERATIONS

1. REMOVE EXISTING EAST SIDE SHOULDERS AND CONSTRUCT EAST SIDE HMA BASE COURSE WIDENING WITH THE AID OF TRAFFIC CONTROL AND PROTECTION STANDARD 701326.
2. INSTALL TEMPORARY TRAFFIC SIGNALS, ATTENUATOR BASES, ATTENUATORS, TEMPORARY CONCRETE BARRIERS AND DRUMS WITH THE AID OF TRAFFIC CONTROL AND PROTECTION STANDARDS 701201 AND 701006. ALL OTHER ITEMS AS PER THESE DETAILS AND AS PER LANE CLOSURE 2L, 2W, BRIDGE REPAIR WITH BARRIER STANDARD 701321. BEGIN OPERATING UNDER STAGE 1 TRAFFIC CONDITIONS WITH THE AID OF TRAFFIC CONTROL AND PROTECTION STANDARD 701201 AND 701006.
3. REMOVE EXISTING WEST SIDE SHOULDERS, GUARDRAIL & TRAFFIC BARRIER TERMINALS, EXCAVATE, AND REMOVE PORTION OF EXISTING SUPER-STRUCTURE AND CONCRETE SLOPEWALLS.
4. INSTALL RIPRAP. CONSTRUCT NEW PORTIONS OF PROPOSED SUPER-STRUCTURE, BACKFILL, COMPACT. INSTALL WEST SIDE HMA BASE COURSE WIDENING. INSTALL GUARDRAILS AND TRAFFIC BARRIER TERMINALS.



REMOVAL SCHEMATIC



CONSTRUCTION SCHEMATIC

LEGEND

- STRUCTURAL WORK AREA
- REMOVAL AREA (SEE NOTES)
- HMA BASE COURSE WIDENING 10"
- TYPE III BARRICADE
- MICROWAVE DETECTOR
- TRAFFIC SIGNALS WITH BACKPLATE
- DRUM WITH STEADY BURNING LIGHT
- STOP LINE 24"
- TEMPORARY IMPACT ATTENUATOR (NON-REDIRECTIVE) RESERVE AREA
- DOUBLE VERTICAL PANEL
- TYPE C BIDIRECTIONAL REFLECTOR
- STEADY BURNING LIGHTS AND DOUBLE VERTICAL PANEL

REVISIONS	
NAME	DATE

ILLINOIS DEPARTMENT OF TRANSPORTATION

STAGE 1 CONSTRUCTION

SCALE: VERT. HORIZ. DATE 10/13/2006

DRAWN BY C. SUNTKEN CHECKED BY M. ZELINSKAS

PLOT DATE = 10/13/2006
 PLOT SCALE = AS SHOWN
 PLOT MAKE = JAGUEL
 PLOT MAKE = JAGUEL
 PLOT MAKE = JAGUEL
 PLOT MAKE = JAGUEL