

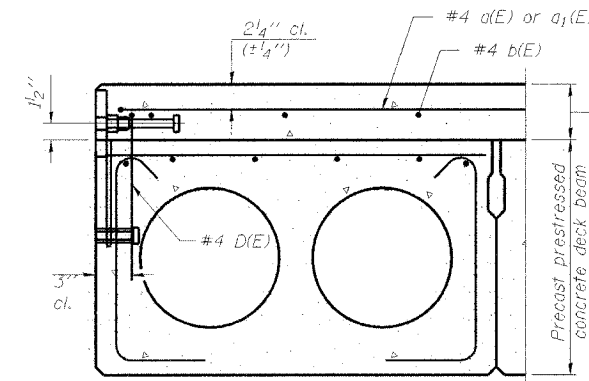
STATE OF ILLINOIS
DEPARTMENT OF TRANSPORTATION

ROUTE NO.	SECTION	COUNTY	SHEETS	SHEET NO.
F.A.P. 840	139 BR-1	KANKAKEE	69	23
FED. ROAD DIST. NO. 7		ILLINOIS	FED. AID PROJECT	

SHEET NO. 7

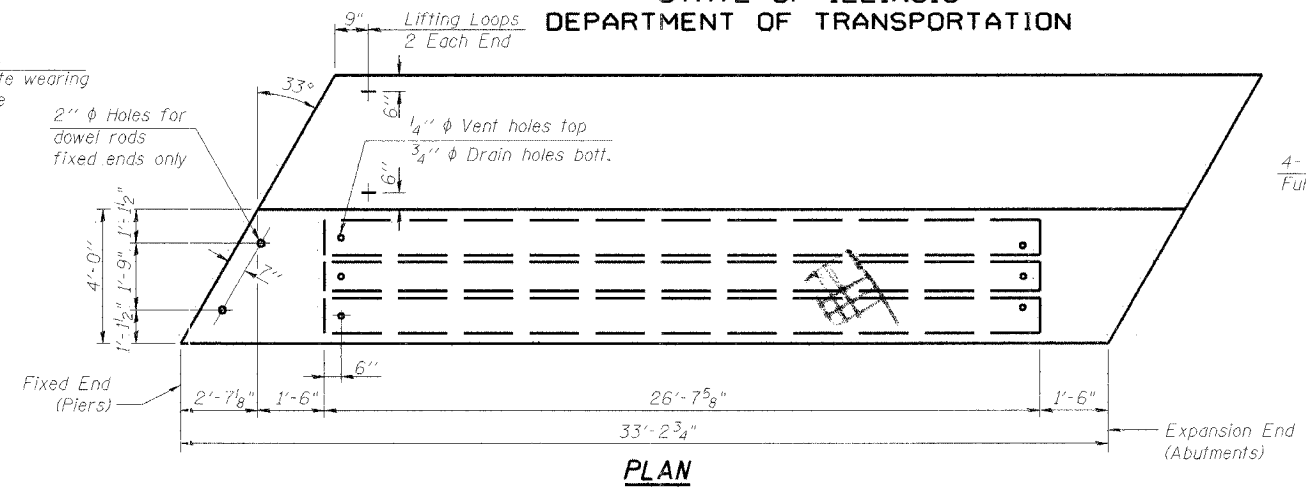
13 SHEETS

Contract #66543

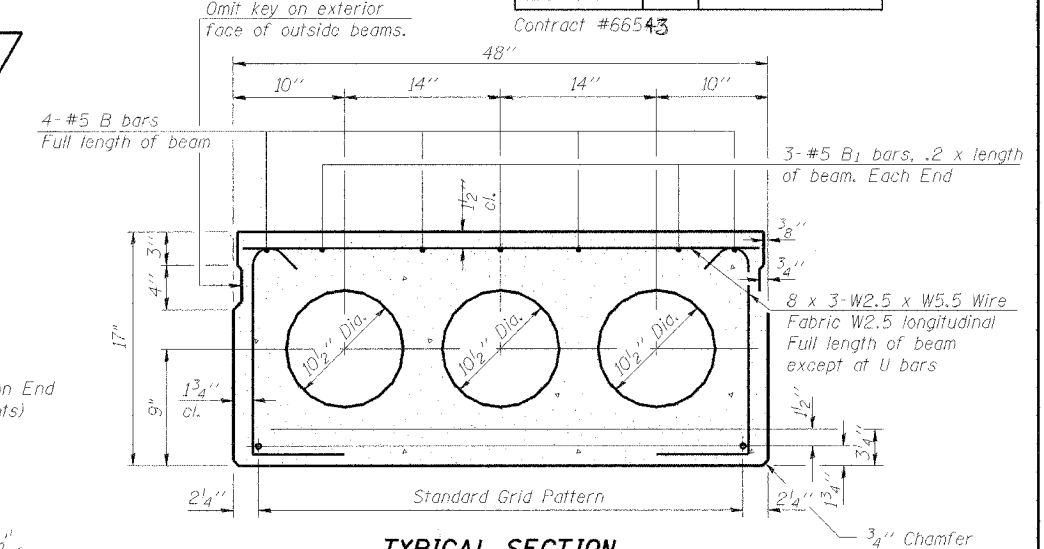


SECTION THRU EXTERIOR BEAMS AT RAIL ANCHORAGE

See Typical Section for strand patterns, dimensions and bar call outs.



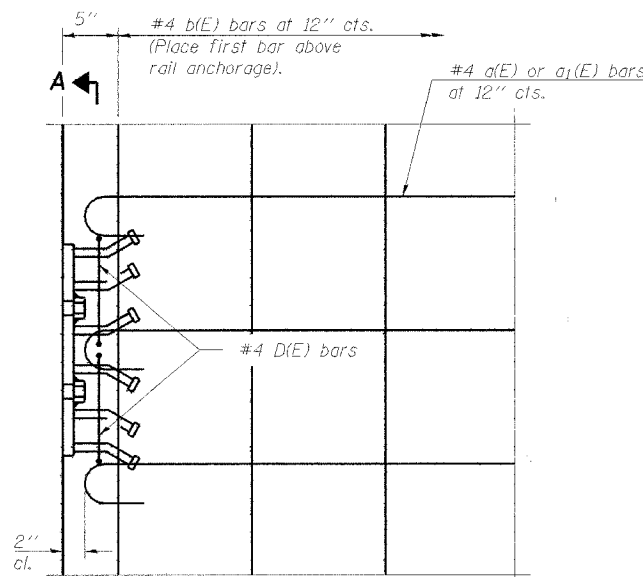
PLAN



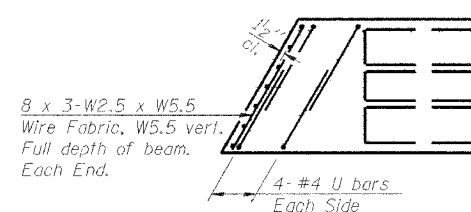
TYPICAL SECTION

12 - 1/2" ϕ Strands, Each Strand Stressed to 30,900 Lbs.
8 - Strands 1 3/4" up, 4 - Strands 3/4" up

Note: Place strands symmetrically about ϕ of beam.

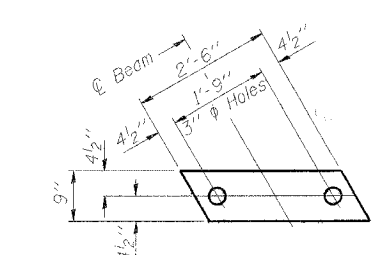


PLAN

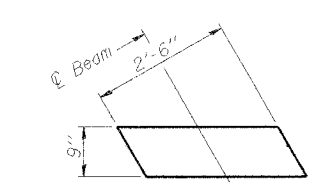


END PLAN

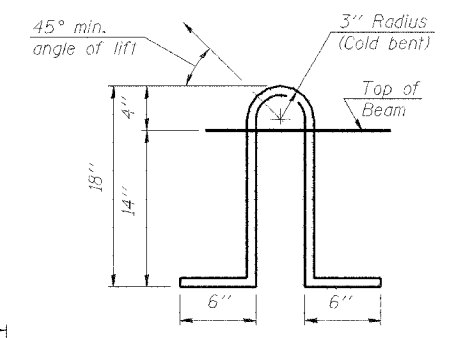
Notes:
The rail anchorage shall be cast with the beam and the wearing surface shall be cast in the field. Formwork necessary for the wearing surface may be secured utilizing the bottom rail anchorage inserts and/or additional inserts cast into the beam. Drilling into the beam will not be permitted.



FABRIC BEARING PAD - FIXED
(40 Req'd.)



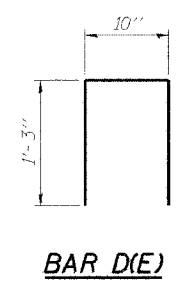
FABRIC BEARING PAD - EXPANSION
(40 Req'd.)



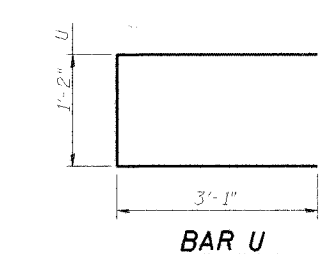
LIFTING LOOP DETAIL

BILL OF MATERIAL

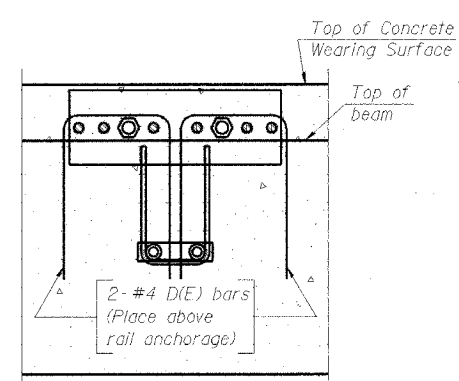
Bar	No.	Size	Length	Shape
Precast Prestr. Conc. Deck Bms. (17" Depth)		Sq. Ft.	3988	



BAR D(E)



BAR U



SECTION A-A

DESIGNED	S.D.S.
CHECKED	C.W.C.
DRAWN	L.M.G./D.L.H.
CHECKED	S.D.S.

WHKS & CO.
ENGINEERS PLANNERS LAND SURVEYORS
MASON CITY, IA EAST DUBUQUE, I. AMES, IA SPRINGFIELD, I. ROCHESTER, MN

NOTES

Prestressing steel shall be uncoated high strength, low relaxation 7-wire strand, Grade 270. The nominal diameter shall be 1/2" and the nominal cross-sectional area shall be 0.153 sq. in. Lifting loops shall be 2 - 1/2" ϕ - 270 ksi strands, as shown. The bearing seat surfaces shall be adjusted by shimming to assure firm and even bearing. Two 1/8" fabric adjusting shims of the dimensions of the Fabric Bearing Pad shall be provided for each bearing. Keyway surfaces shall be cleaned to remove form oil or other bond breaking material prior to shipment of the beams. Cleaning shall be done by sandblasting the keyway areas between top of the beam and the bottom edge of the key. Corrosion Inhibitor, as covered in the Special Provisions, shall be used in the concrete for precast prestressed concrete deck beams. Required Release Strength, f'_{ci} , shall be 4,000 p.s.i.

Note: Work this sheet with Sheet 8 of 13.

SUPERSTRUCTURE DETAILS
US ROUTE 45/52 OVER MINNIE CREEK
F.A.P. 840 SEC. 139 BR-1
KANKAKEE COUNTY
STATION 196+30.00
STRUCTURE NO. 046-0070