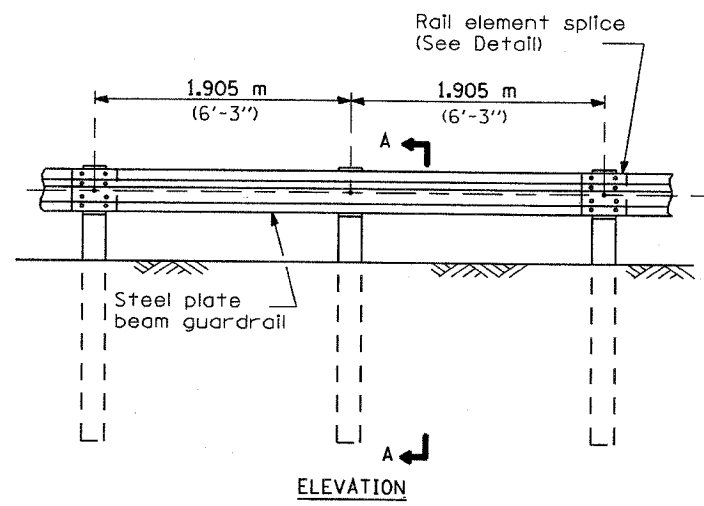
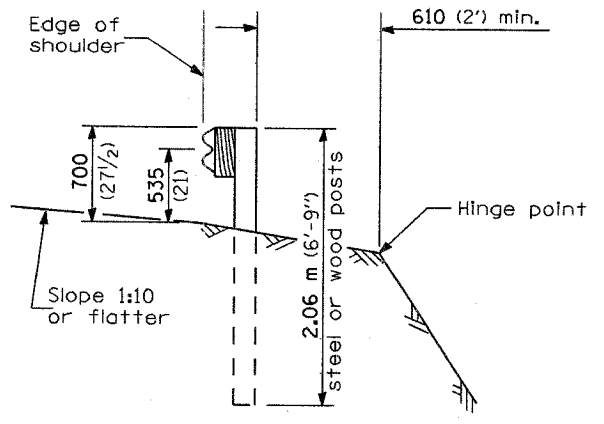


F.A. RITE.	SECTION	COUNTY	TOTAL SHEETS	SHEET NO.
				12A
FED. ROAD DIST. NO.		ILLINOIS FED. AID PROJECT		
		66647		

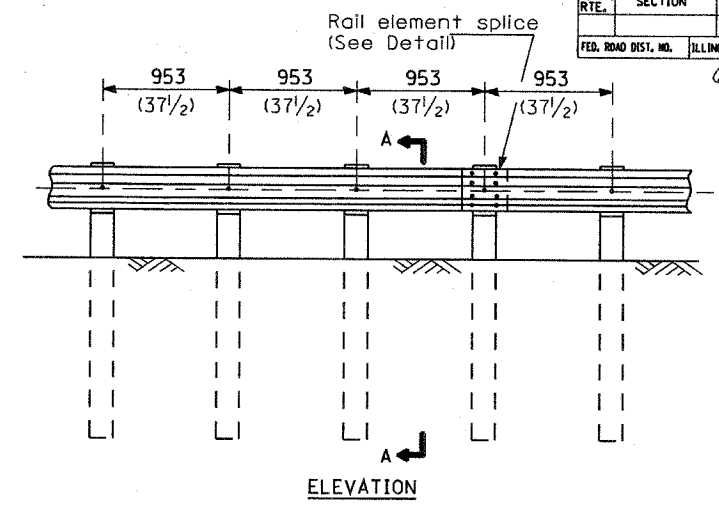


TYPE A

1.905 m (6'-3") Typical post spacing

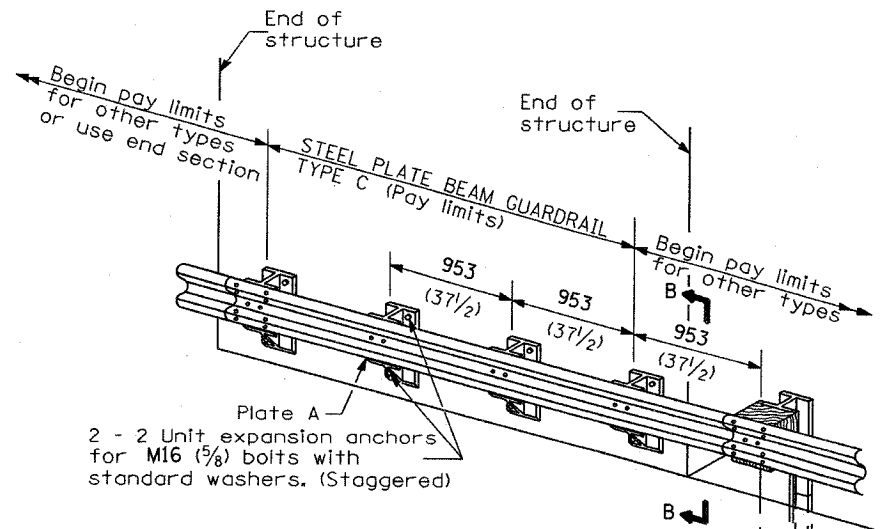


SECTION A-A



TYPE B

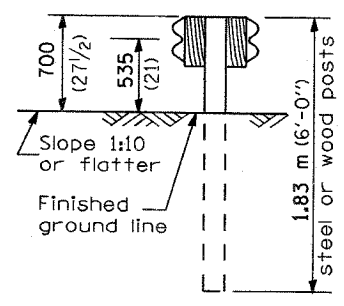
953 (37 1/2) Closed post spacing



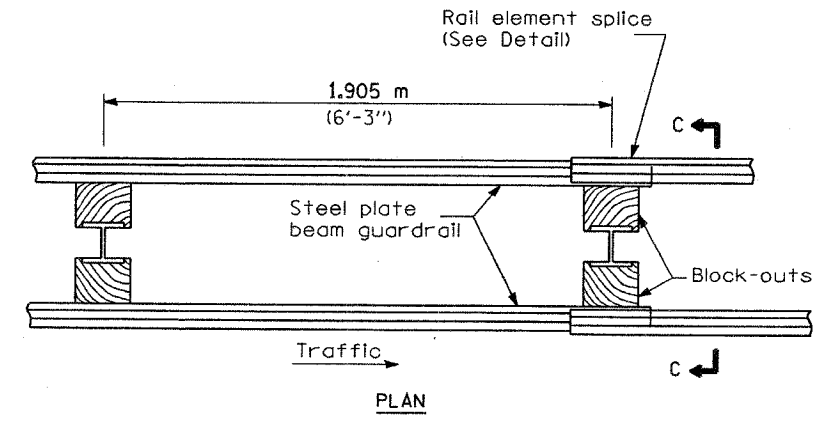
TYPE C

953 (37 1/2) Block-out spacing

After this post has been located, drill holes in concrete for block-out attachments.

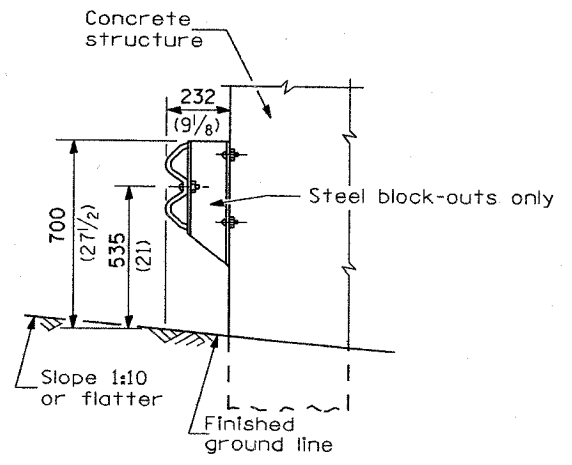


SECTION C-C



TYPE D

Double steel plate beam guardrail
1.905 m (6'-3") typical post spacing



SECTION B-B

GENERAL NOTES

All slope ratios are expressed as units of vertical displacement to units of horizontal displacement (V:H).

All dimensions are in millimeters (inches) unless otherwise shown.

The existing steel posts may be drilled to match the bolt pattern shown herein for the wood block-out, or a new steel post shall be provided.

**REMOVE AND REERECT
STEEL PLATE BEAM GUARDRAIL**
(Sheet 1 of 4)

DETAIL

NEW 1/4/07