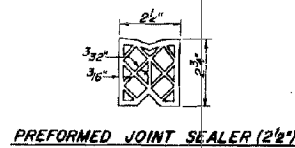
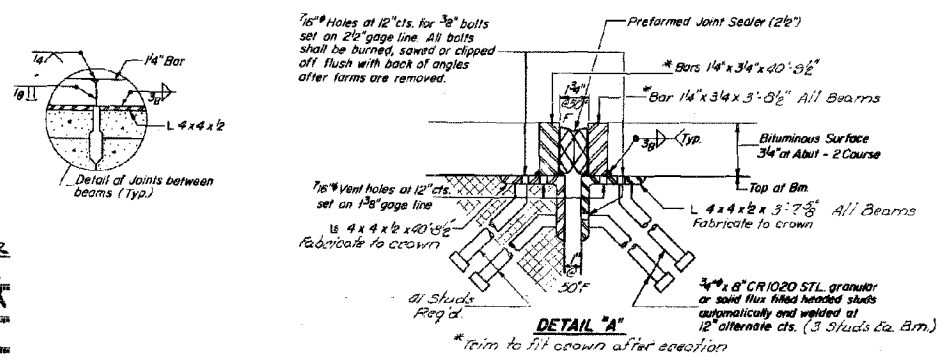
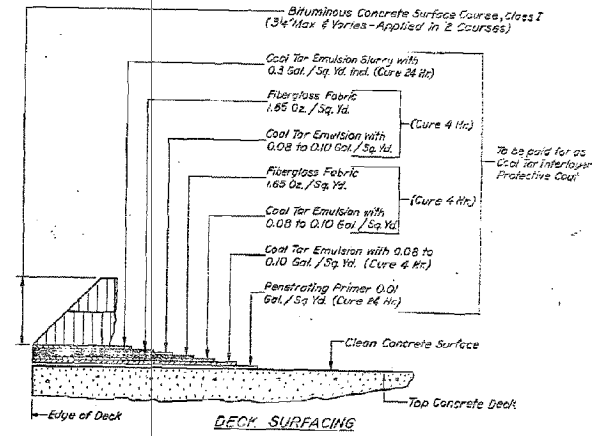
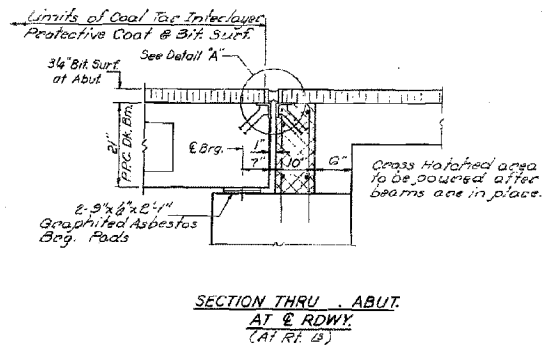
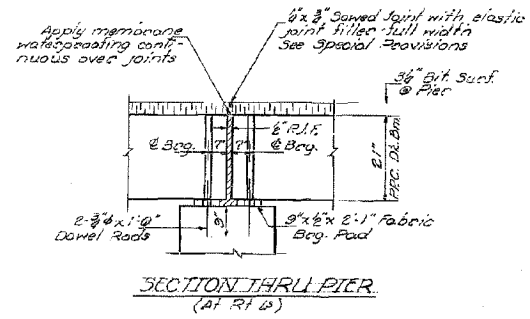


CONTRACT NO. 66647				
FAP RTE	SECTION	COUNTY	TOTAL SHEETS	SHEET NO.
840	123-BR-1	IROQUOIS	39	29
STA.	TO STA.			
FED. ROAD DIST. NO.	ILLINOIS	FED. AID PROJECT		

STATE OF ILLINOIS  
DEPARTMENT OF TRANSPORTATION

PROJECT NO.	SECTION	COUNTY	TOTAL SHEETS	SHEET NO.
12352	123-BR-1	IROQUOIS	39	29
SHEET NO. 6 SHEETS				



GENERAL DETAILS  
S.B.T. RT 49 - SEC. 123.5R  
IROQUOIS COUNTY  
STA. 135+4.0

DESIGNED	D.A.R.	EXAMINED	Dec 14 1973
CHECKED	J.M. Patel	PASSED	
DRAWN	J. SCHNELLER	APPROVED	
CHECKED	J.M.P.		

SR-D (5-15-77)  
N.E.C.C. 10-1250

**ESCA**  
CONSULTANTS, INC.

DESIGNED BY:	MTD	08/06
DRAWN BY:	HAG	08/06
CHECKED BY:	ELH	08/06
APPROVED BY:	RDP	08/06

FOR INFORMATION ONLY

EXISTING STRUCTURE PLANS  
FAP RTE 840 (IL 49)  
SECTION 123-BR-1  
IROQUOIS COUNTY